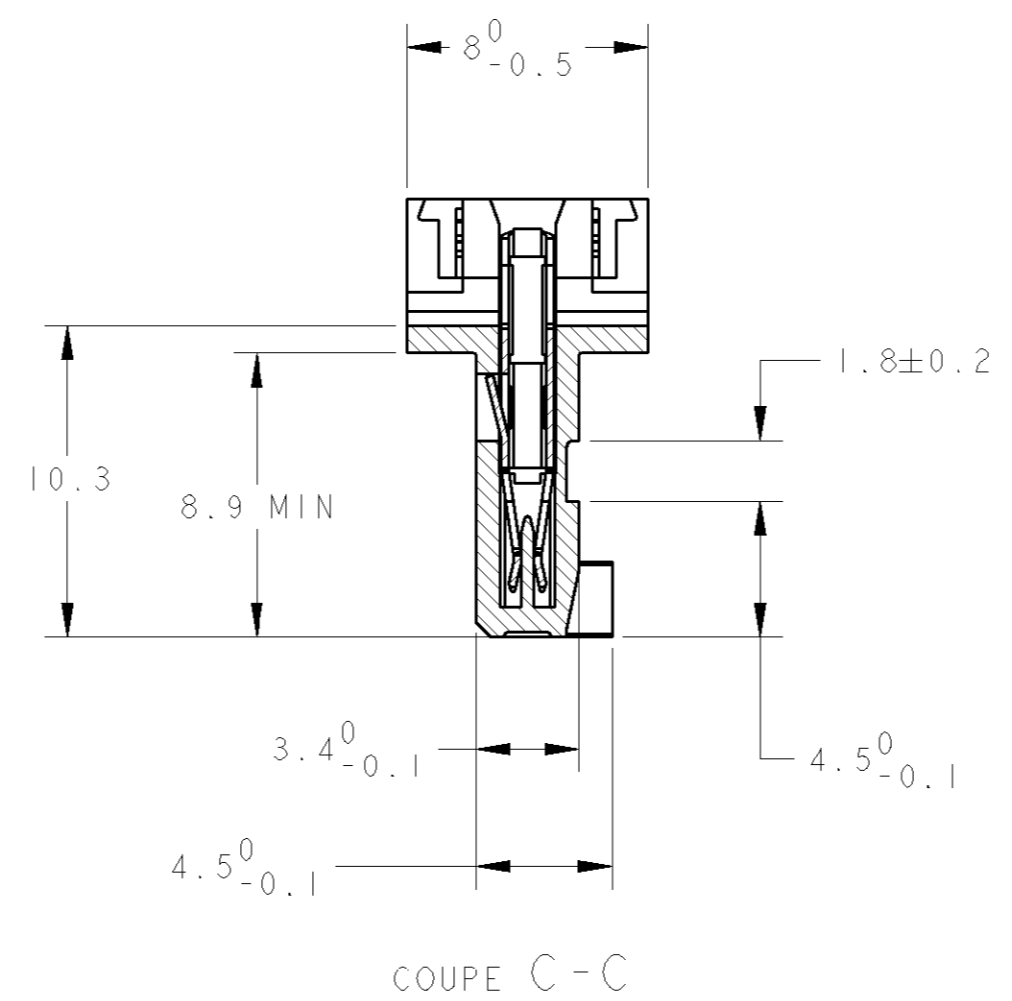
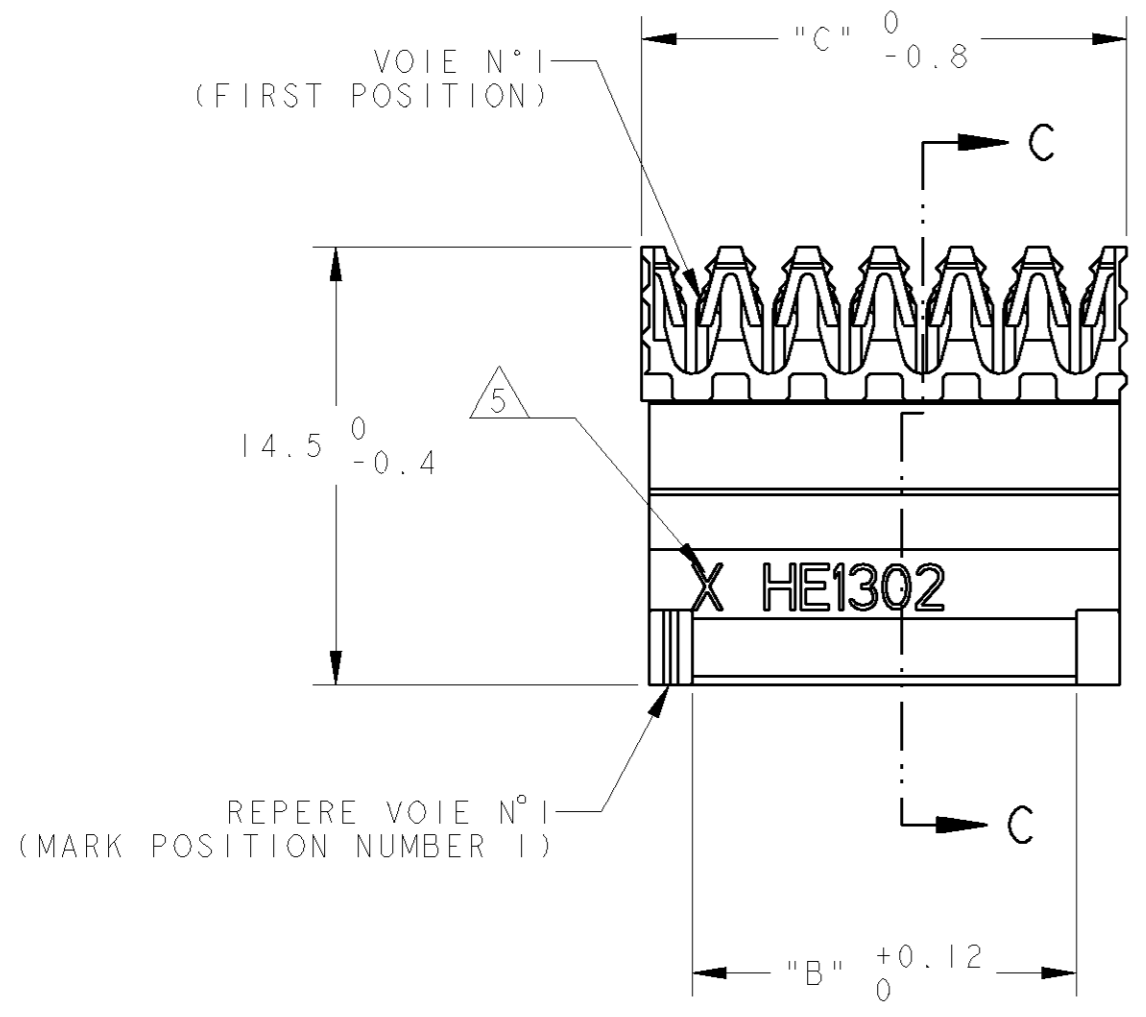
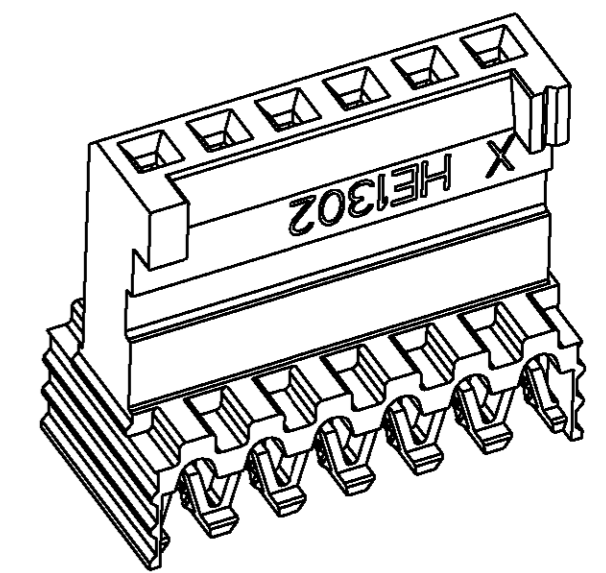
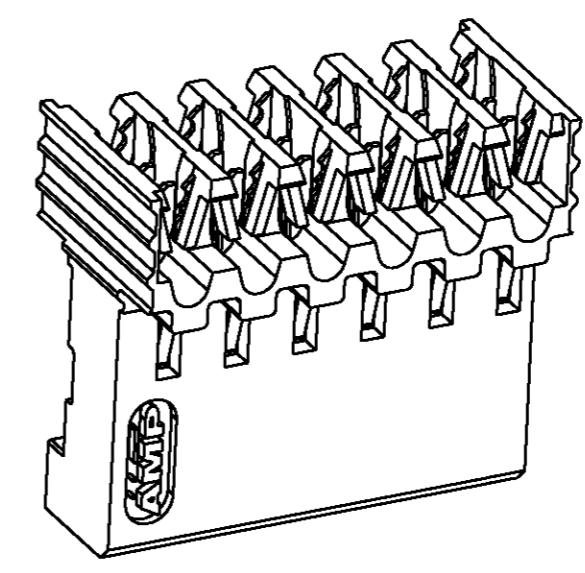
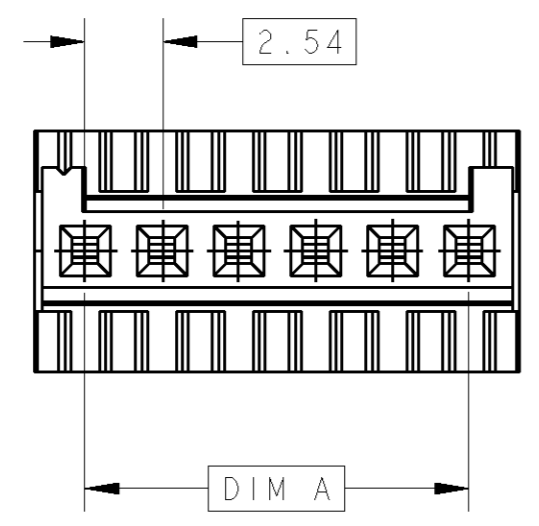


THIS DRAWING IS UNPUBLISHED. / RELEASED FOR PUBLICATION / LIBRE A LA DIFFUSION / 20
 BY TYCO ELECTRONICS CORPORATION. ALL RIGHTS RESERVED. / TOUS DROITS RESERVES

| FILS ADMISSIBLES (ACCEPTABLE WIRES) | |
|-----------------------------------------------------|---------------------------|
| JAUGE (AWG) SECTION / 7 BRINS (7 STRANDS) | 28 0.08mm ² |
| ISOLANT: Ø MAX / MATIERE (INSUL.: Ø MAX / MAT'L) | Ø0.8 / PVC |

| REVISIONS | | | | | |
|-----------|-----|------------------------------------|-----------|-----------|-----------|
| P | LTR | DESCRIPTION MODIFICATIONS | DATE | DWN DESS. | APVD APP. |
| A | | CORRIGE ERREUR DE REFERENCE | 09/92 | AC | - |
| B | | REDESSINE SUR (REDRAWN ON) PRO/ENG | 19SEP2002 | CC | YP |



| | | | | | | |
|--------------|-----|-------|-----------|----------------------|--------------|--------------|
| OBSOLETE | 9 | 64.30 | 60.96 | 25 | 2-281715-5 | 2-144275-5 |
| OBSOLETE | 9 | 61.76 | 58.42 | 24 | 2-281715-4 | 2-144275-4 |
| OBSOLETE | 10 | 59.22 | 55.88 | 23 | 2-281715-3 | 2-144275-3 |
| OBSOLETE | 10 | 56.68 | 53.34 | 22 | 2-281715-2 | 2-144275-2 |
| OBSOLETE | 10 | 54.14 | 50.80 | 21 | 2-281715-1 | 2-144275-1 |
| OBSOLETE | 11 | 51.60 | 48.26 | 20 | 2-281715-0 | 2-144275-0 |
| OBSOLETE | 12 | 49.06 | 45.72 | 19 | 1-281715-9 | 1-144275-9 |
| | 12 | 46.52 | 43.18 | 18 | 1-281715-8 * | 1-144275-8 * |
| OBSOLETE | 13 | 43.98 | 40.64 | 17 | 1-281715-7 | 1-144275-7 |
| OBSOLETE | 14 | 41.44 | 38.10 | 16 | 1-281715-6 | 1-144275-6 |
| | 15 | 38.90 | 35.56 | 15 | 1-281715-5 * | 1-144275-5 * |
| OBSOLETE | 16 | 36.36 | 33.02 | 14 | 1-281715-4 | 1-144275-4 |
| OBSOLETE | 17 | 33.82 | 30.48 | 13 | 1-281715-3 | 1-144275-3 |
| | 18 | 31.28 | 27.94 | 12 | 1-281715-2 * | 1-144275-2 * |
| OBSOLETE | 20 | 28.74 | 25.40 | 11 | 1-281715-1 | 1-144275-1 |
| | 20 | 26.20 | 22.86 | 10 | 1-281715-0 * | 1-144275-0 * |
| OBSOLETE | 25 | 23.66 | 20.32 | 9 | 0-281715-9 | 0-144275-9 |
| | 25 | 21.12 | 17.78 | 8 | 0-281715-8 * | 0-144275-8 * |
| | 30 | 18.58 | 15.24 | 7 | 0-281715-7 | 0-144275-7 |
| | 35 | 16.04 | 12.70 | 6 | 0-281715-6 * | 0-144275-6 * |
| | 40 | 13.50 | 10.16 | 5 | 0-281715-5 * | 0-144275-5 * |
| | 50 | 10.96 | 7.62 | 4 | 0-281715-4 * | 0-144275-4 * |
| | 70 | 8.42 | 5.08 | 3 | 0-281715-3 * | 0-144275-3 * |
| | 100 | 5.88 | 2.54 | 2 | 0-281715-2 | 0-144275-2 |
| QUANT / TUBE | C | A, B | Nb DE POS | REFERENCES (PART No) | | |
| DIMENSIONS | | | 4 | VRAC (L.P.) | | |

- 1 CES CONNECTEURS SONT PREVUS POUR ETRE ACCOUPLES AVEC LES EMBASES 'HE1302' SIMPLE RANGEE (THESE CONNECTEURS ARE DESIGNED TO BE MATED WITH 'HE1302' HEADERS, SINGLE ROW)
- 2 LES REFERENCES SUIVIES D'UN ' * ' SONT LES VERSIONS NORMALISEES SELON LA 'CEI 603-8' (THE PART-NO FOLLOWED BY ' * ' ARE COVERED BY THE INTERNATIONAL STANDARD 'IEC 603-8')
- 3 REVETEMENT DES CONTACTS: 0.4µm OR DANS LA ZONE DE CONTACT, ETAIN SUR SORTIE CAD, SOUS-COUCHE NICKEL (CONTACT PLATING: 0.4µm GOLD ON CONTACT AREA, TIN ON I.D. BARREL AREA, NICKEL UNDER-PLATING)
- 4 CONNECTEURS CONDITIONNES SOUS TUBE PVC (THESE CONNECTEURS ARE PACKAGED IN TUBE)
- 5 ' X ' EST REMPLACE PAR LE DEUXIEME CHIFFRE DES JAUGES AWG (' X ' REPLACED BY THE SECOND DIGIT OF AWG AS DEFINED IN TABLE)
- 6 MATERIAUX - BOITIER: PBT UL94V0 - CONTACTS: BRONZE PHOSPHOREUX (MATERIALS - CASE: PBT 94 UL94V0 - CONTACTS: PHOSPHOR BRONZE)

| | | | |
|------------------------------------------------------------------------------------------------------------------------------------------------------------------------------------------------------------------------------------------------------------------------------------------------------------------------------------------------------------------------|---------------------------------------------------------|------------------------------------------------------------------------------------------------------------------------------|-------------------------------------------------------------------------------------------------------------|
| THIS DRAWING IS A CONTROLLED DOCUMENT FOR TYCO ELECTRONICS CORPORATION IT IS SUBJECT TO CHANGE AND THE CONTROLLING ENGINEERING ORGANIZATION SHOULD BE CONTACTED FOR THE LATEST REVISION. CE PLAN EST UN DOCUMENT CONTRÔLÉ PAR AMP INCORPORATED. IL EST SUSCEPTIBLE D'ÊTRE REVISÉ. CONTACTER LE SERVICE TECHNIQUE D'AMP DE FRANCE POUR OBTENIR LA DERNIÈRE RÉVISION. | | DWN/DESSINE: 17NOV2000 C. COMBEDOUZON CHK/VERIFIE: 17NOV2000 T. CORRIQUO APVD/APPROUVE: 17NOV2000 Y. PETRONIN | AMP DE FRANCE 95301 PONTOISE |
| DIMENSIONS: mm TOLERANCES UNLESS OTHERWISE SPECIFIED: (SUIV NB DE DECIMALES) 0 PLC/DEC: ± 1 PLC/DEC: ±0.3 2 PLC/DEC: ± 3 PLC/DEC: ± 4 PLC/DEC: ± ANGLES: ±5° | PRODUCT SPEC: 108-15053 SPEC. APPLICATION: 114-15030 | NAME/TITRE: HE1302 PLUG, 90deg IDC SINGLE ROW | SIZE/FORMAT: A2 CAGE CODE: 00779 DRAWING NO: 281715 |
| MATERIAL/MATIERE: 6 | FINISH/FINITION: 3 | WEIGHT/MASSE APPROX.: CUSTOMER DRAWING /PLAN CLIENT | RESTRICTED TO RESERVE A: UNIFORMENT POUR REFERENCE: 4 SCALE/ECHELLE: 4 SHEET FEUILLE: OF DE: REV B |