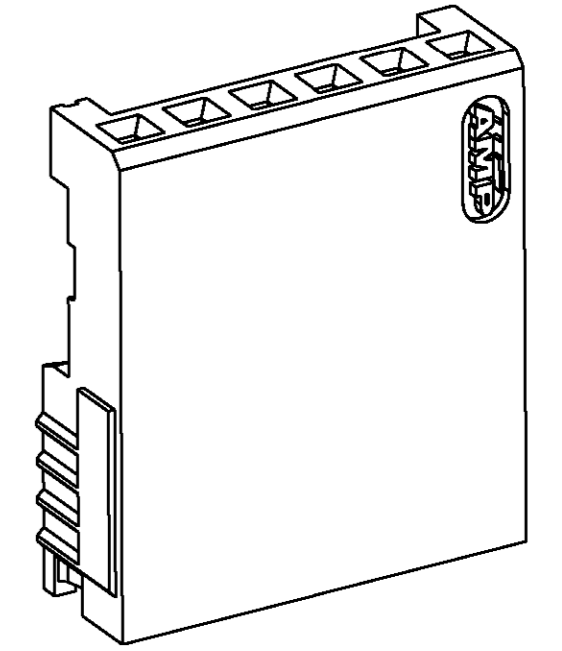
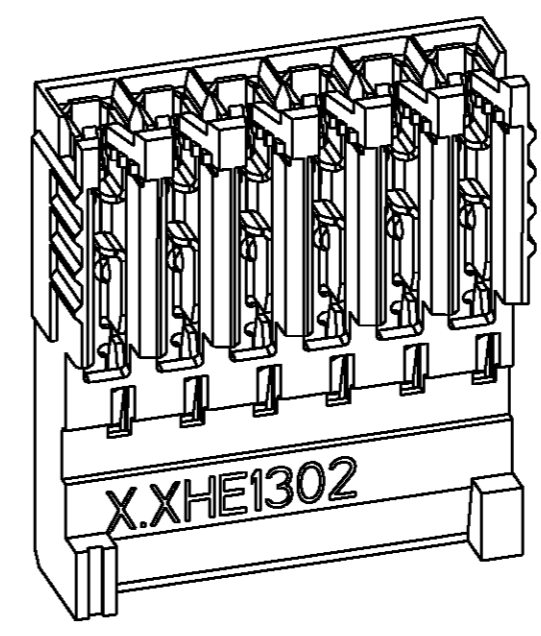
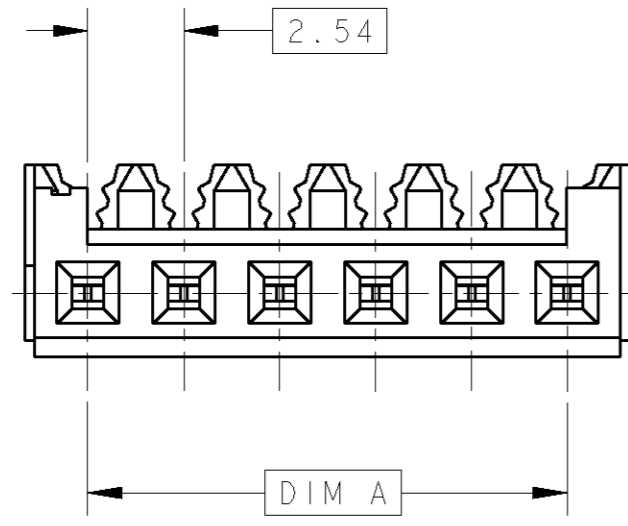


THIS DRAWING IS UNPUBLISHED. / RELEASED FOR PUBLICATION
 DIFFUSION RESTREINTE / LIBRE A LA DIFFUSION
 © COPYRIGHT 20 BY TYCO ELECTRONICS CORPORATION. ALL RIGHTS RESERVED. / TOUS DROITS RESERVES

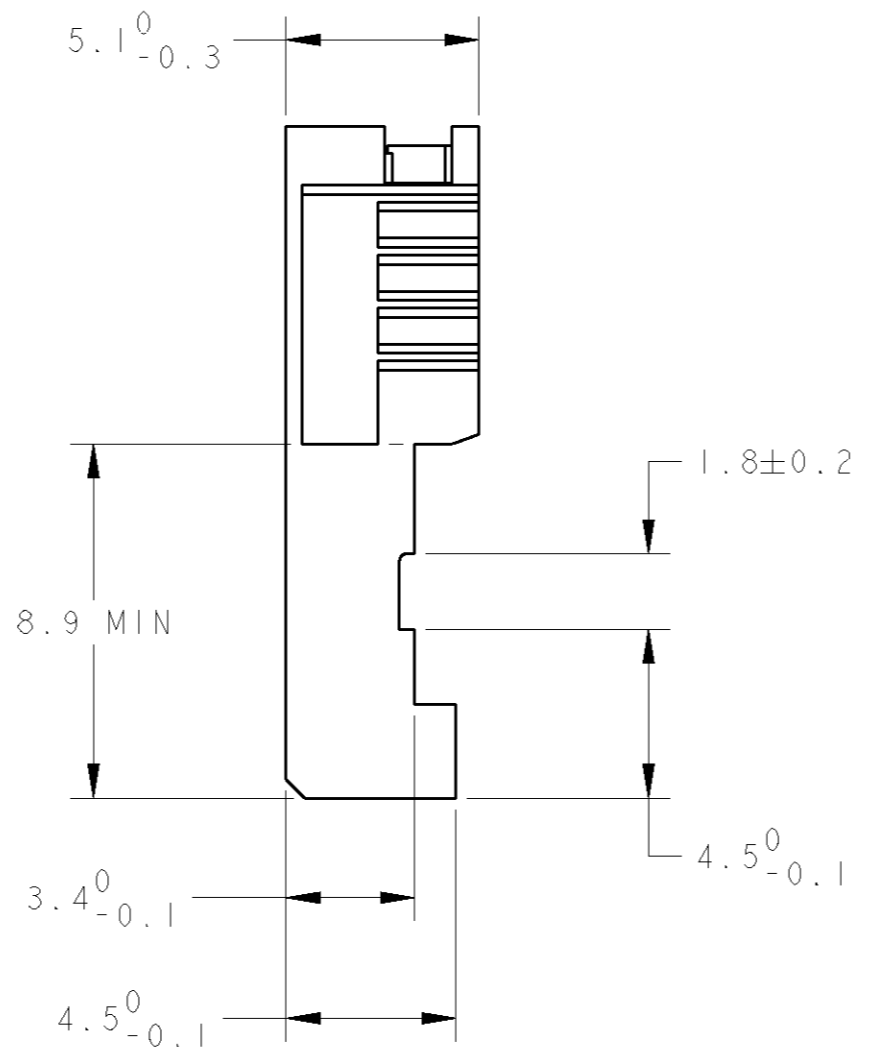
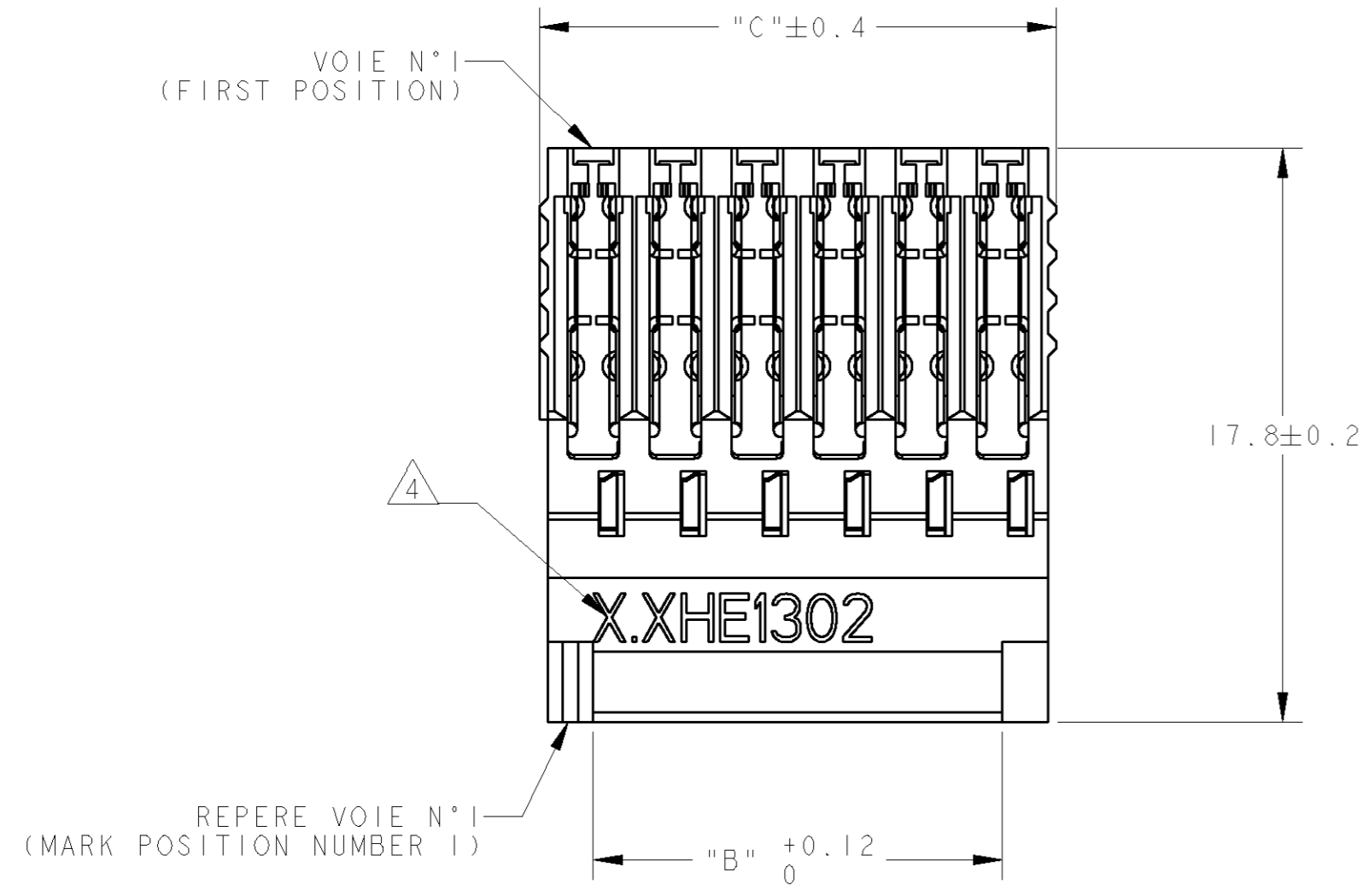
FILS ADMISSIBLES (ACCEPTABLE WIRES)	
JAUGE (AWG) SECTION / 7 BRINS (7 STRANDS)	26-24 0.12-0.22mm ²
ISOLANT: Ø MAX / MATIERE (INSUL.: Ø MAX / MAT'L)	Ø 1.2 / PVC

REVISIONS					
P	LTR	DESCRIPTION MODIFICATIONS	DATE	DWN DESS.	APVD APP.
A		REDESSINE	06/90	AC	-
B		REDESSINE SUR (REDRAWN ON) PRO/ENG	10SEP2002	CC	YP



ECHELLE 4:1

ECHELLE 4:1



REFERENCE	64.30	60.96	25	2 281784 5
OBSOLETE	61.76	58.42	24	2 281784 4
OBSOLETE	59.22	55.88	23	2 281784 3
OBSOLETE	56.68	53.34	22	2 281784 2
OBSOLETE	54.14	50.80	21	2 281784 1
OBSOLETE	51.60	48.26	20	2 281784 0
OBSOLETE	49.06	45.72	19	1 281784 9
	46.52	43.18	18	1-281784-8 *
OBSOLETE	43.98	40.64	17	1 281784 7
OBSOLETE	41.44	38.10	16	1 281784 6
	38.90	35.56	15	1-281784-5 *
OBSOLETE	36.36	33.02	14	1 281784 4
OBSOLETE	33.82	30.48	13	1 281784 3
	31.28	27.94	12	1-281784-2 *
OBSOLETE	28.74	25.40	11	1 281784 1
	26.20	22.86	10	1-281784-0 *
OBSOLETE	23.66	20.32	9	0 281784 9
	21.12	17.78	8	0-281784-8 *
OBSOLETE	18.58	15.24	7	0 281784 7
	16.04	12.70	6	0-281784-6 *
	13.50	10.16	5	0-281784-5 *
	10.96	7.62	4	0-281784-4 *
	8.42	5.08	3	0-281784-3 *
	5.88	2.54	2	0-281784-2
C	A, B	Nb DE POS	REFERENCES (PART No)	
DIMENSIONS				

- 1 CES CONNECTEURS SONT PREVUS POUR ETRE ACCOUPLES AVEC LES EMBASES 'HE1302' SIMPLE RANGEE (THESE CONNECTORS ARE DESIGNED TO BE MATED WITH 'HE1302' HEADERS SINGLE ROW)
- 2 LES REFERENCES SUIVIES D'UN ' * ' SONT LES VERSIONS NORMALISEES SELON LA 'CEI 603-8' (THE PART-NO FOLLOWED BY ' * ' ARE COVERED BY THE INTERNATIONAL STANDARD 'IEC603-8')
- 3 REVETEMENT DES CONTACTS: 0.38µm D'OR DANS LA ZONE DE CONTACT, ETAIN SUR LA SORTIE CAD, SOUS-COUCHE NICKEL (CONTACTS PLATING: 0.38µm GOLD ON CONTACT AREA, TIN ON I.D. BARREL AREA, NICKEL UNDERPLATING)
- 4 "X.X" EST REMPLACÉ PAR LES DEUX DEUXIEME CHIFFRES DU COUPLE DES JAUGES AWG ("X.X" REPLACED BY THE TWO SECOND DIGIT OF THE PAIR OF AWG AS DEFINED IN TABLE)
- 5 MATIERES - BOITIER: PBT UL94V0 - CONTACTS: BRONZE PHOSPHOREUX. (MATERIALS - CASE: PBT UL94V0 - CONTACTS: PHOSPHOR BRONZE)

<small>THIS DRAWING IS A CONTROLLED DOCUMENT FOR TYCO ELECTRONICS CORPORATION IT IS SUBJECT TO CHANGE AND THE CONTROLLING ENGINEERING ORGANIZATION SHOULD BE CONTACTED FOR THE LATEST REVISION. CE PLAN EST UN DOCUMENT CONTRÔLÉ PAR AMP INCORPORATED. IL EST SUSCEPTIBLE D'ÊTRE REVISÉ. CONTACTER LE SERVICE TECHNIQUE D'AMP DE FRANCE POUR OBTENIR LA DERNIÈRE RÉVISION.</small>		DWN/DESSINE 29NOV2000 C. COMBEDOUZON CHK/VERIFIE 29NOV2000 I. CORRIEU APVD/APROUVE 29NOV2000 Y. PETRONIN		AMP AMP DE FRANCE 95301 PONTOISE	
DIMENSIONS: mm		TOLERANCES UNLESS OTHERWISE SPECIFIED: (SUIV NB DE DECIMALES) 0 PLC/DEC: ± 1 PLC/DEC: ±0.3 2 PLC/DEC: ± 3 PLC/DEC: ± 4 PLC/DEC: ± ANGLES ±°		NAME TITRE HE 1302 PLUG, 180 deg IDC SINGLE ROW	
MATERIAL/MATIERE 6		FINISH/FINITION 3		PRODUCT SPEC SPEC. PRODUIT 108-15053 APPLICATION SPEC SPEC. APPLICATION WEIGHT MASSE APPROX. - CUSTOMER DRAWING /PLAN CLIENT UNIQUEMENT POUR REFERENCE SCALE ECHELLE 5:1 SHEET FEUILLE OF DE REV B	