

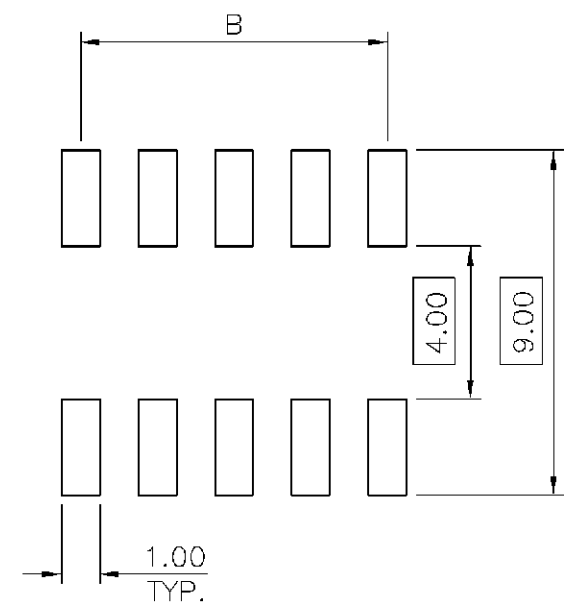
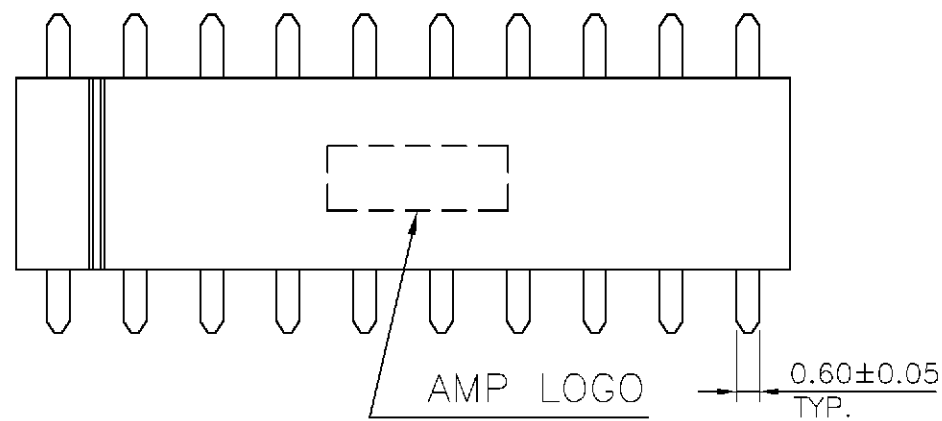
THIS INFORMATION IS CONFIDENTIAL AND IS DISCLOSED TO YOU ON CONDITION THAT NO FURTHER DISCLOSURE IS MADE BY YOU TO OTHER THAN AMP PERSONNEL WITHOUT WRITTEN AUTHORIZATION FROM AMP (TAIWAN) LTD. DIMENSIONS IN MILLIMETERS. DO NOT SCALE PRINT.

NUMBER
C-1470380

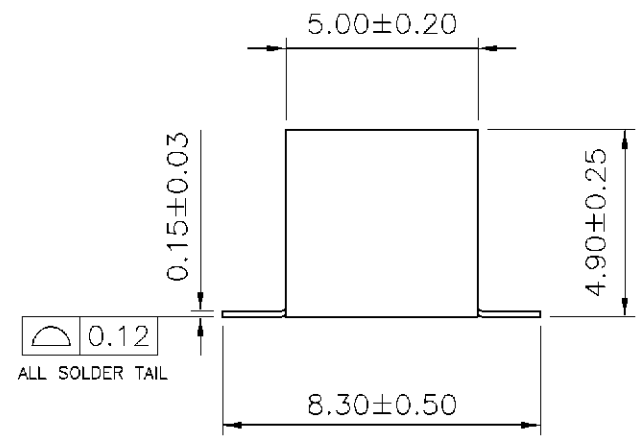
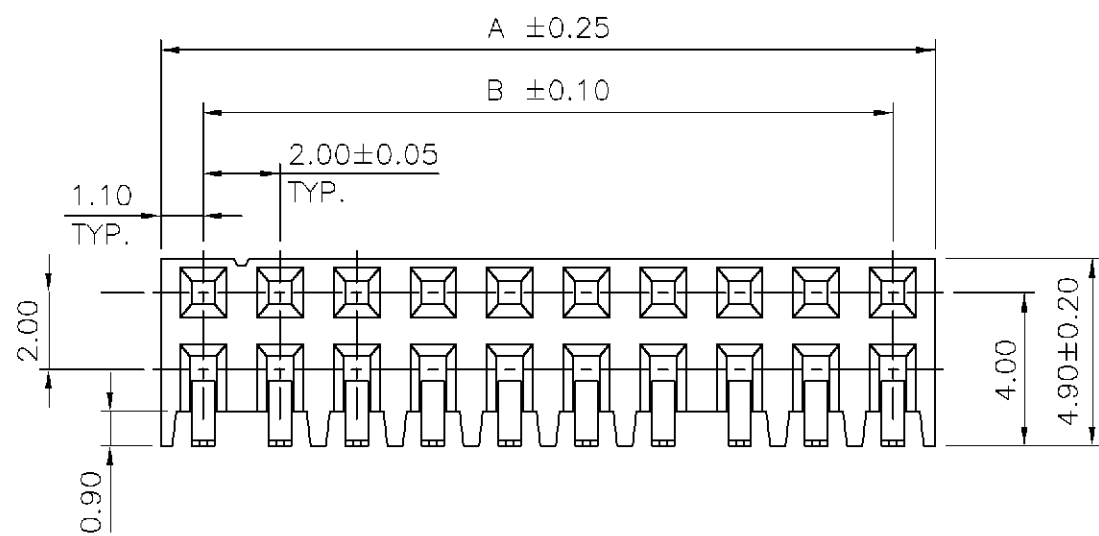
3RD ANGLE PROJECTION

METRIC

PRINT
DW



RECOMMENDED PCB LAYOUT (THICKNESS: 1.2mm)
(TOP VIEW) (TOLERANCE: ±0.05)



NOTE :

- MATERIAL :
HOUSING : THERMOPLASTIC, UL 94V-0, BLACK COLOR.
CONTACT : PHOSPHOR BRONZE.
- FINISH :
8 μ" MIN. GOLD PLATED ON CONTACT AREA,
90 μ" MIN. TIN-LEAD PLATED ON SOLDER TAIL,
50 μ" MIN. NICKEL UNDERPLATED OVER ALL.

48.00	50.20	50	5-1470380-0
46.00	48.20	48	4-1470380-8
44.00	46.20	46	4-1470380-6
42.00	44.20	44	4-1470380-4
40.00	42.20	42	4-1470380-2
38.00	40.20	40	4-1470380-0
36.00	38.20	38	3-1470380-8
34.00	36.20	36	3-1470380-6
32.00	34.20	34	3-1470380-4
30.00	32.20	32	3-1470380-2
28.00	30.20	30	3-1470380-0
26.00	28.20	28	2-1470380-8
24.00	26.20	26	2-1470380-6
22.00	24.20	24	2-1470380-4
20.00	22.20	22	2-1470380-2
18.00	20.20	20	2-1470380-0
16.00	18.20	18	1-1470380-8
14.00	16.20	16	1-1470380-6
12.00	14.20	14	1-1470380-4
10.00	12.20	12	1-1470380-2
8.00	10.20	10	1-1470380-0
6.00	8.20	8	0-1470380-8
4.00	6.20	6	0-1470380-6
		B	A
DIMENSIONS		NO. OF POS.	PART NUMBER

TOLERANCES UNLESS OTHERWISE SPECIFIED: 0 PLC ±0.10 1 PLC ±0.10 2 PLC ±0.10 3 PLC ±0.10 ANGLES ±0°	DWN	O. HU	TYCO HOLDINGS (BERMUDA) VII LTD. TAIWAN BRANCH	
		14-SEP-2004		
MATERIAL SEE NOTE	CHK	S. HOU	NAME	
		14-SEP-2004		
FINISH SEE NOTE	APVD	W.J. KE	BOX HEADER, 2.0 PITCH, RIGHT ANGLE, SMT TYPE.	
		14-SEP-2004		
	PRODUCT SPEC	108-57250	LOC	SIZE
	QUALIFICATION TEST REPORT	501-57265	DW	A ₃
	WEIGHT		DRAWING NO	C-1470380
			REV	B
			SCALE	--
			SHEET	1 OF 2

B	REVISED	FZ00-0213-04	OH SH	17SEP 2004
A	REVISED	FZ00-0179-03	OH AW	08AUG 2003
O	FIRST RELEASED	FZ00-0179-02	OH JC	16AUG 2002
LTR	REVISION RECORD	ECN	DWN CHK	DATE

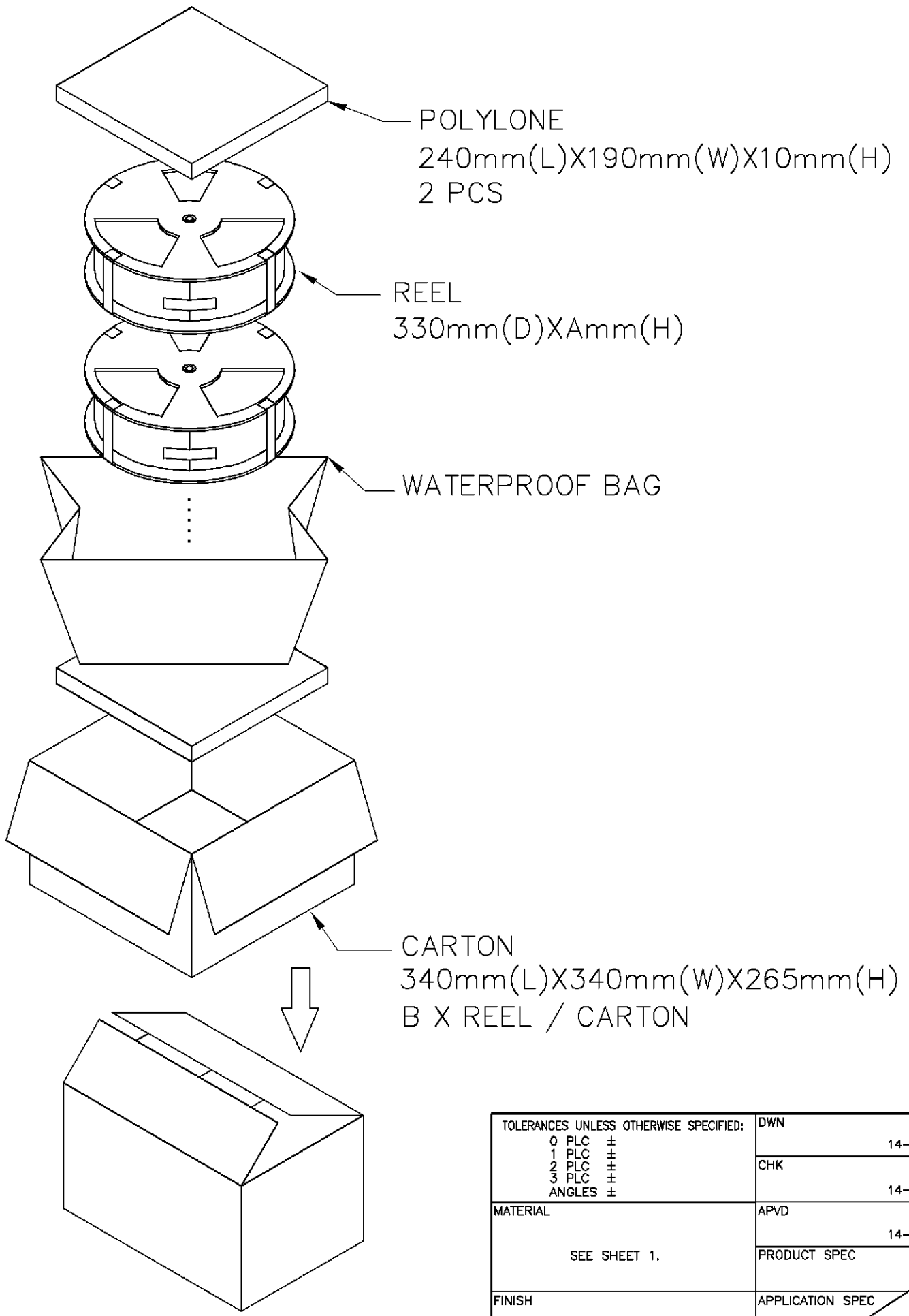
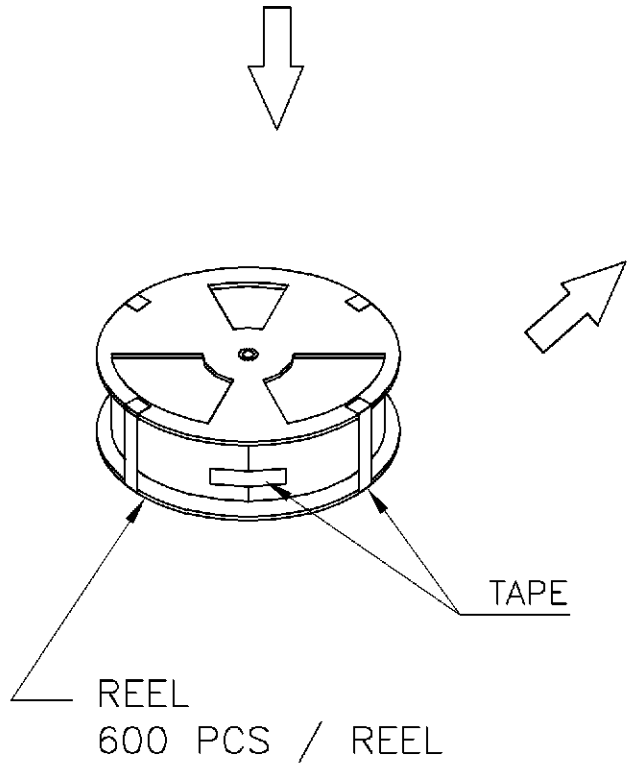
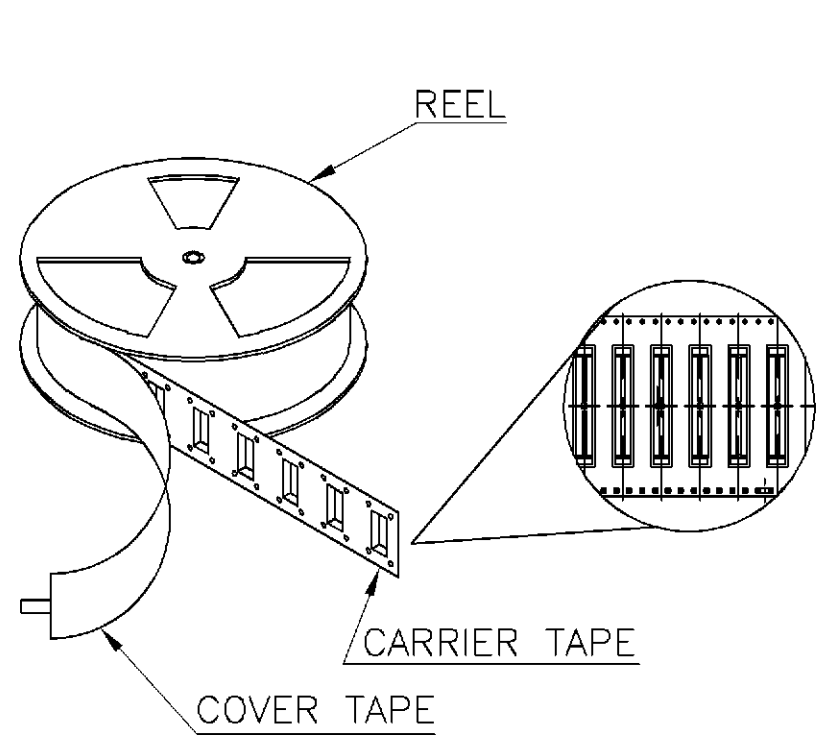
THIS INFORMATION IS CONFIDENTIAL AND IS DISCLOSED TO YOU ON CONDITION THAT NO FURTHER DISCLOSURE IS MADE BY YOU TO OTHER THAN AMP PERSONNEL WITHOUT WRITTEN AUTHORIZATION FROM AMP (TAIWAN) LTD. DIMENSIONS IN MILLIMETERS. DO NOT SCALE PRINT.

NUMBER
C-1470380

3RD ANGLE PROJECTION

METRIC

PRINT DIST
DW



B	NO. OF POS.	PART NUMBER
2	50	5-1470380-0
2	48	4-1470380-8
2	46	4-1470380-6
2	44	4-1470380-4
2	42	4-1470380-2
2	40	4-1470380-0
2	38	3-1470380-8
2	36	3-1470380-6
3	34	3-1470380-4
3	32	3-1470380-2
3	30	3-1470380-0
3	28	2-1470380-8
3	26	2-1470380-6
3	24	2-1470380-4
4	22	2-1470380-2
4	20	2-1470380-0
4	18	1-1470380-8
4	16	1-1470380-6
4	14	1-1470380-4
4	12	1-1470380-2
5	10	1-1470380-0
5	8	0-1470380-8
5	6	0-1470380-6

TOLERANCES UNLESS OTHERWISE SPECIFIED: 0 PLC ± 1 PLC ± 2 PLC ± 3 PLC ± ANGLES ±		DWN O. HU 14-SEP-2004	tyco TYCO HOLDINGS (BERMUDA) Electronics VII LTD. TAIWAN BRANCH	
MATERIAL SEE SHEET 1.		CHK S. HOU 14-SEP-2004	NAME BOX HEADER, 2.0 PITCH, RIGHT ANGLE, SMT TYPE.	
FINISH SEE SHEET 1.		APVD W.J. KE 14-SEP-2004	LOC DW	SIZE A ₃
LTR		REVISION RECORD	ECN	DWN CHK
DATE		APPLICATION SPEC		DRAWING NO C-1470380
		WEIGHT		REV B
		SCALE		SHEET 2 OF 2

SEE SHEET 1.			
LTR	REVISION RECORD	ECN	DWN CHK
			DATE