

4

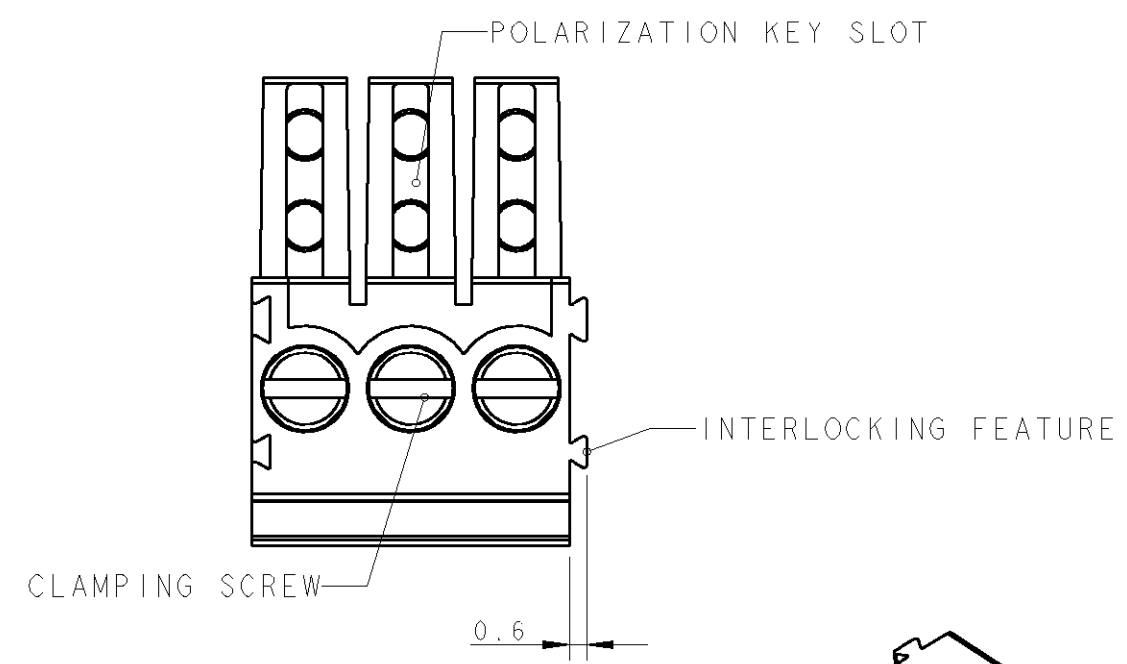
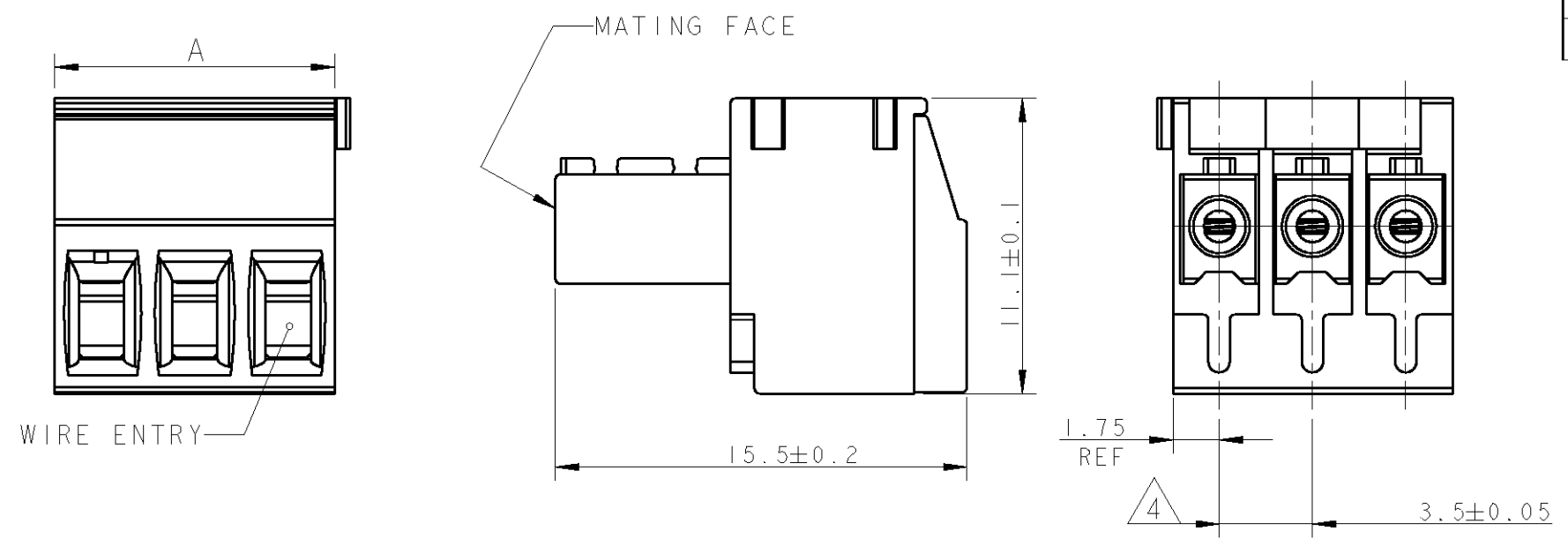
3

2

1

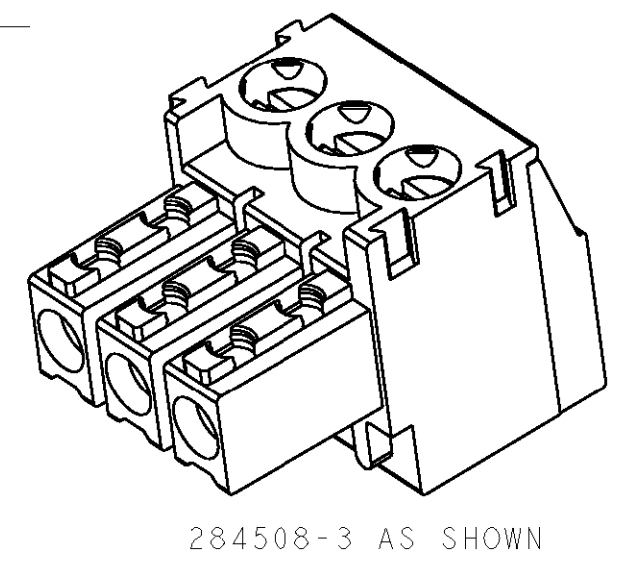
THIS DRAWING IS UNPUBLISHED. RELEASED FOR PUBLICATION 20  
 © COPYRIGHT 20 BY TYCO ELECTRONICS CORPORATION. ALL RIGHTS RESERVED.

LOC	DIST	REVISIONS			
P	LTR	DESCRIPTION	DATE	DWN	APVD
	B	REVISED PER 0G3B-0119-01	06FEB2002	EZ	DB



- 1 MATERIALS AND FINISH  
 HOUSING : PA 6.6, UL 94-V0, COLOR GREEN  
 CLAMP : BRASS, NICKEL PLATED  
 TERMINAL : BRASS, TIN PLATED  
 CONTACT SPRING : PHOSPHOR BRONZE, TIN PLATED  
 CLAMPING SCREW : M2, BRASS, NICKEL PLATED
- 2 END-TO-END STACKABLE W/INTERLOCK WITHOUT LOSS OF CENTERLINE SPACING
- 3 WIRE SIZE RANGE  
 12 - 30 AWG
- 4 NOT CUMULATIVE TOLERANCE

87.5	25	2-284508-5
84.0	24	2-284508-4
80.5	23	2-284508-3
77.0	22	2-284508-2
73.5	21	2-284508-1
70.0	20	2-284508-0
66.5	19	1-284508-9
63.0	18	1-284508-8
59.5	17	1-284508-7
56.0	16	1-284508-6
52.5	15	1-284508-5
49.0	14	1-284508-4
45.5	13	1-284508-3
42.0	12	1-284508-2
38.5	11	1-284508-1
35.0	10	1-284508-0
31.5	9	284508-9
28.0	8	284508-8
24.5	7	284508-7
21.0	6	284508-6
17.5	5	284508-5
14.0	4	284508-4
10.5	3	284508-3
7.0	2	284508-2
DIM A	NO OF POS	AMP PART NUMBER



<small>THIS DRAWING IS A CONTROLLED DOCUMENT FOR TYCO ELECTRONICS CORPORATION          IT IS SUBJECT TO CHANGE AND THE CONTROLLING ENGINEERING ORGANIZATION          SHOULD BE CONTACTED FOR THE LATEST REVISION.</small>		DWN 06FEB2002 E. ZANOLINI CHK 06FEB2002 E. ZANOLINI APVD 06FEB2002 D. BIEVENOUR	<b>BUCHANAN</b> Tyco Electronics Harrisburg, PA 17105-3608
DIMENSIONS: mm	TOLERANCES UNLESS OTHERWISE SPECIFIED: 0 PLC ±- 1 PLC ±.3 2 PLC ±.25 3 PLC ±- 4 PLC ±- ANGLES ± ±2	PRODUCT SPEC 108-20166 APPLICATION SPEC 114-20079 WEIGHT -	NAME TERMINAL BLOCK PLUG STACKING W/INTERLOCK 3.5mm PITCH
MATERIAL	FINISH	SIZE A3 CAGE CODE 00779 DRAWING NO C-284508	RESTRICTED TO -
CUSTOMER DRAWING		SCALE 4:1	SHEET 1 OF 1 REV B