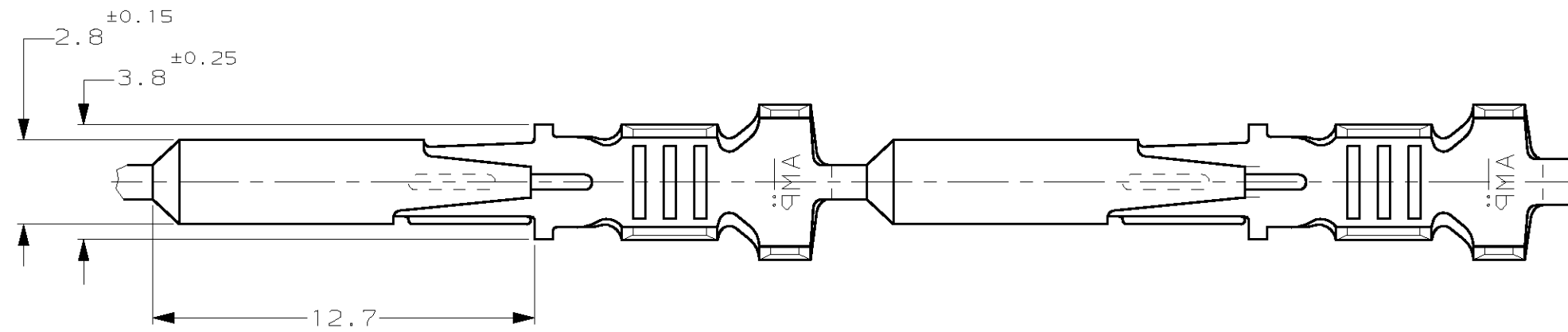
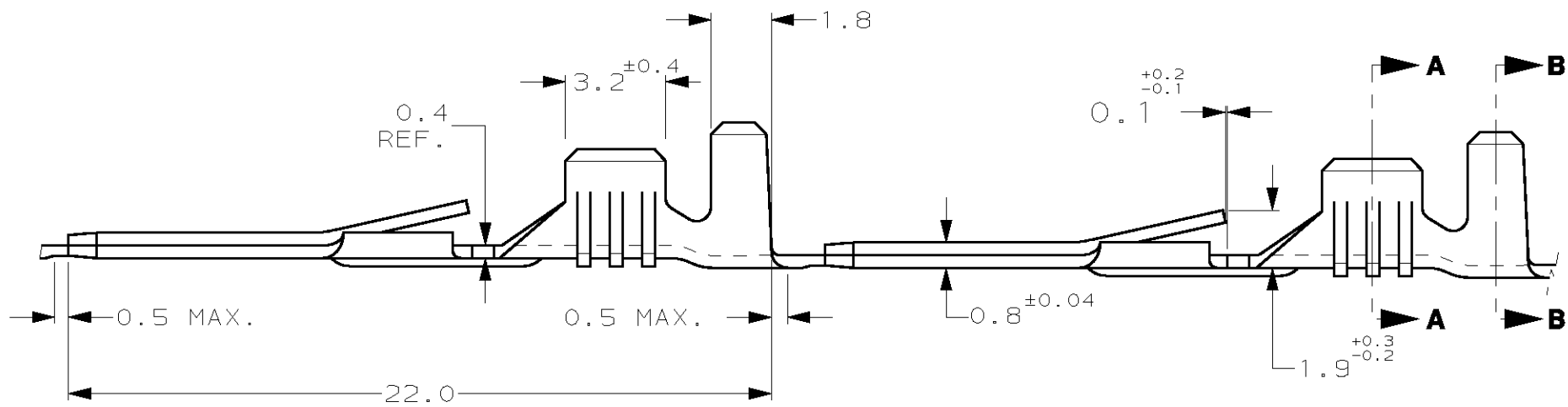
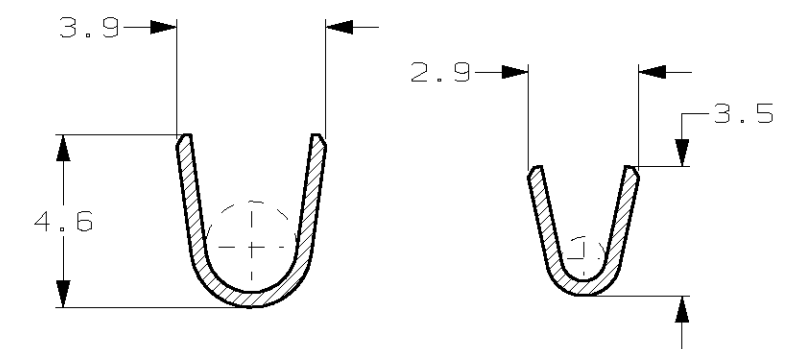


- 1 FOR USE ON MINIATURE APPLICATORS (LEFT-RIGHT FEED).
- 2 FOR USE ON MINIATURE APPLICATORS AMP-O-MATOR APPLICATION (LEFT-RIGHT FEED)
- 3 GIUNTA TRA TERMINALI PREVISTA MEDIANTE SALDATURA (SPlice FREE)
- 3 SPECIFICA DI APPLICAZIONE 114-20021 SPECIFICA DI PRODOTTO 108-20020 (APPLICATION SPEC. 114-20021, PRODUCT SPEC. 108-20020).

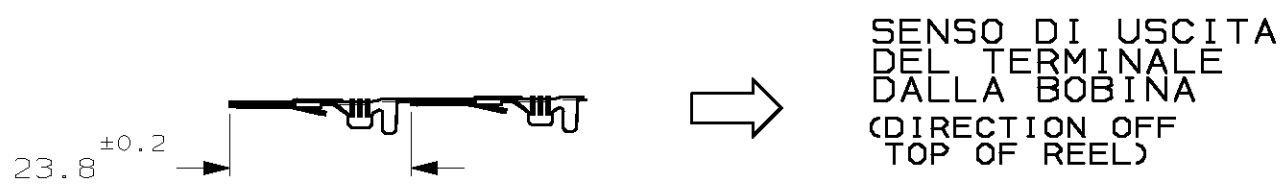


SEZIONE B-B (SECTION B-B) SEZIONE B-B (SECTION A-A)



2	NUDO (UNPLATED)	OTTONE (BRASS)	0-160743-5	J
1	STAGNATO (TIN PLATED)	OTTONE (BRASS)	0-160743-4	J
1	NUDO (UNPLATED)	OTTONE (BRASS)	0-160743-3	J
1	STAGNATO (TIN PLATED)	BRONZO FOSFOROSO (PHOS. BRONZE)	0-160743-2	J
1	NUDO (UNPLATED)	BRONZO FOSFOROSO (PHOS. BRONZE)	0-160743-1	J
	FINITURA / COLORE (FINISH / COLOUR)	MATERIALE (MATERIAL)	NUMERO (AMP P/N)	REV.

STATO DI FORNITURA - SCALA 1:1
 (SUPPLY CONDITION - SCALE 1:1)



CUSTOMER DWG. FOR REFERENCE ONLY		DISEGNO PER CLIENTE SOLO PER RIFERIMENTO	
THIS DRAWING IS UNPUBLISHED		RELEASE FOR PUBLICATION ON JUN 1999	
© COPYRIGHT 19 BY AMP INCORPORATED, HARRISBURG, PA. ALL INTERNATIONAL RIGHT RESERVED. AMP PRODUCTS MAY BE COVERED BY U.S. AND FOREIGN PATENT AND/OR PATENT PENDING			
TOLLERANZE: SE NON DIVERSAMENTE SPECIFICATO (TOLERANCES: UNLESS OTHERWISE SPECIFIED)	DIAM. ISOLANTE (INS. DIA. RANGE)	RANGO FILO (WIRE RANGE) mm	SCALA (SCALE)
± 0.3	2.3-3.0	0.5-1.5	5:1
ANGOLI (ANGLES) ± 2°	AMP AMP ITALIA S.p.A. Corso F.lli Cervi, 15 COLLEGNO (TORINO)		
J3 REVISED ET00-0040-04 H.Y. 24 FEB 2004 J2 REVISED ET00-0246-02 H.Y. 13 DEC 2002 J1 REVISED ET00-0227-02 H.Y. 12 NOV 2002 J REVISED & REDRAWN ET00-0198-99 H.Y. 18 JUN 1999	DIS. H. YAALI (DR.) 09 JUN 99 CONT. C. TARTARI (CHK) 09 JUN 99	DESCRIZIONE (DESCRIPTION) FASTIN-FASTON® Connectors .110" sr. TAB CONTACT	
REV. (REV. LTR.)	DIS. (DR.)	APP. (APP.)	LOC. SIZE (LOC. NO.)
			I A3
			C-160743
			J3
			1
			1