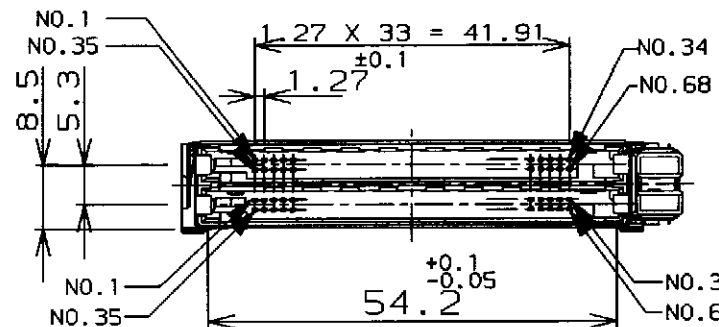
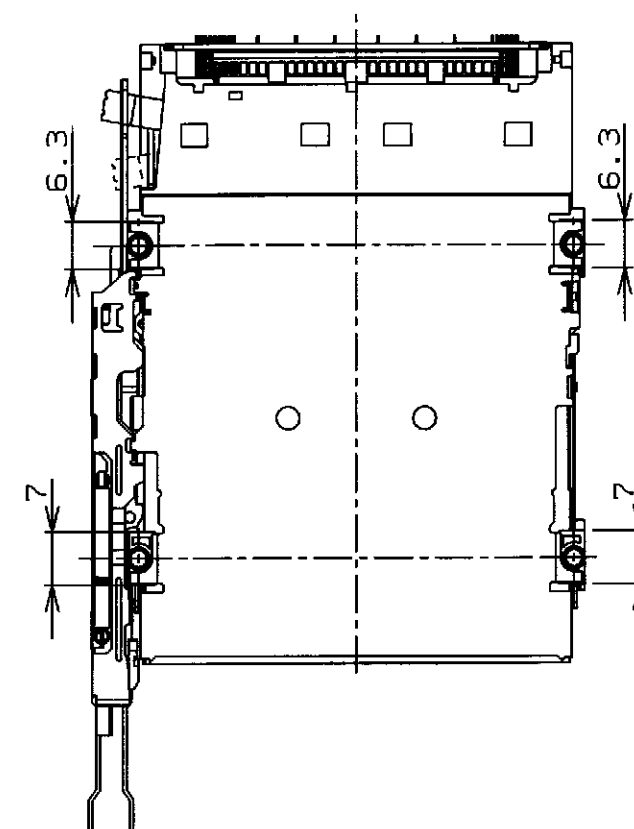
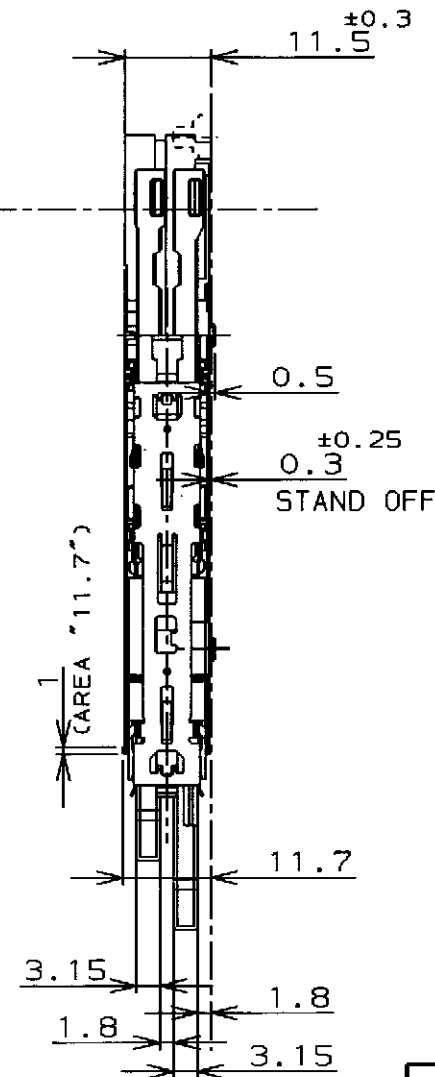
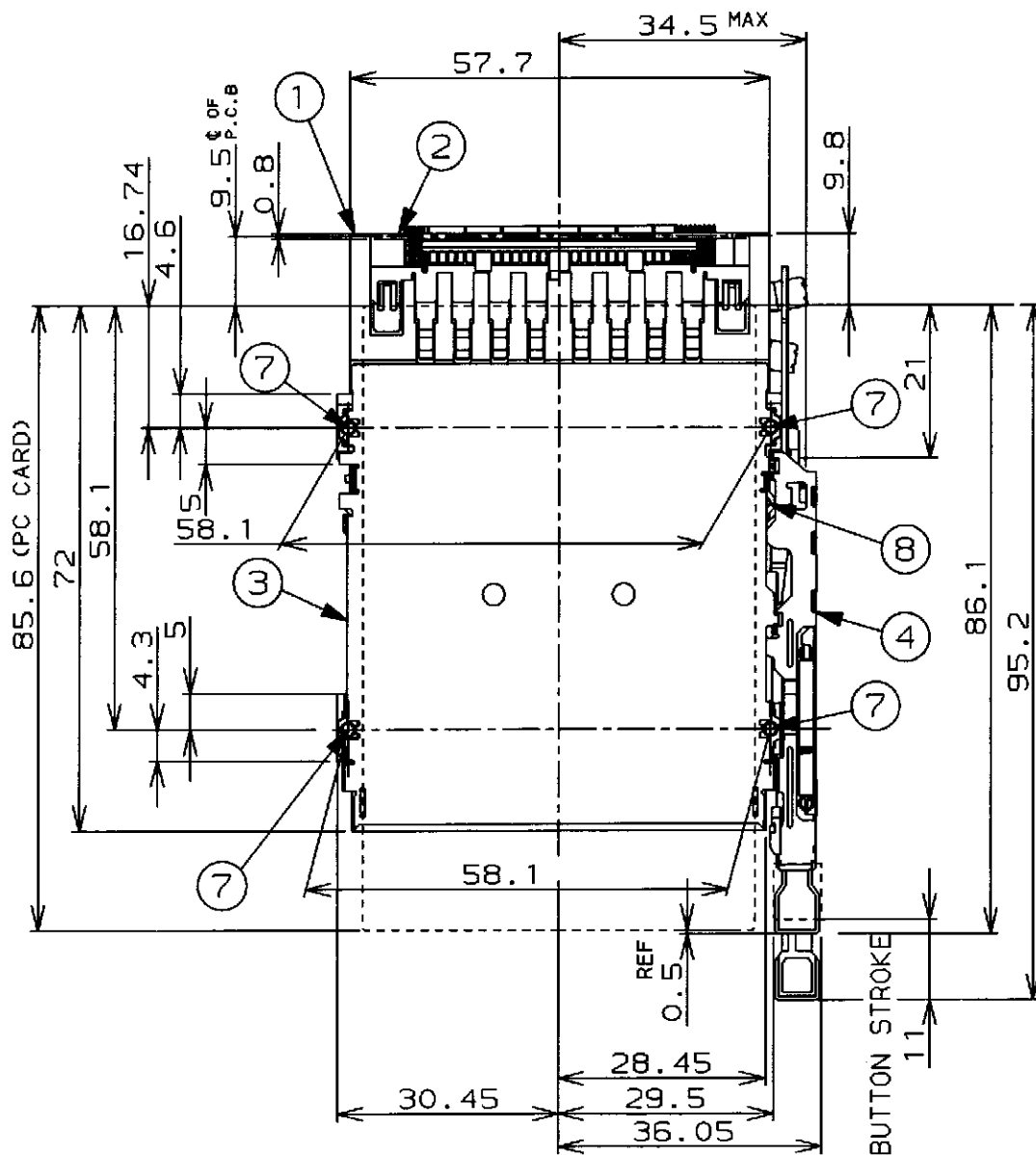
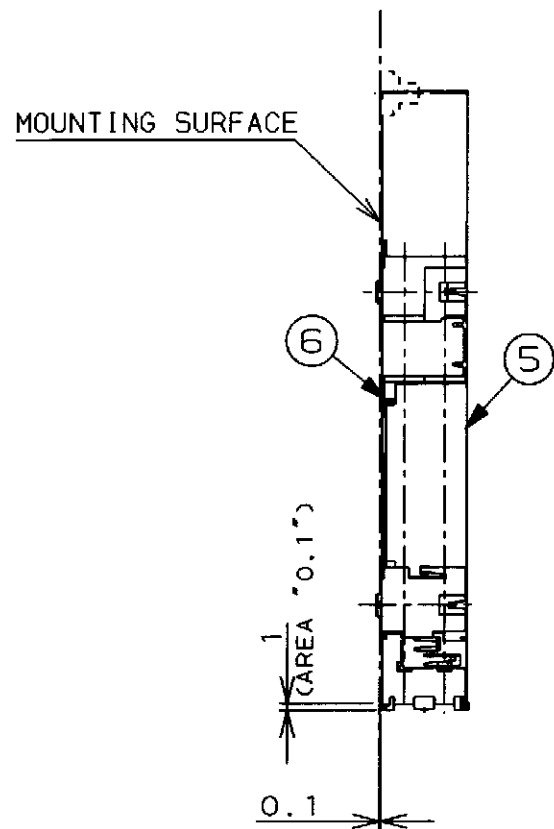


LOC J  
DIST .

REVISIONS

P	LTR	DESCRIPTION	ECN	DATE	DWN	APVD
0		RELEASED	FJ00-0268-98	09APR'98	K.Y	Y.Y
A		REVISED	FJ00-0898-98	18MAY'98	K.Y	H.M
B		REVISED	FJ00-1515-98	4 Aug '98	K.Y	Hm

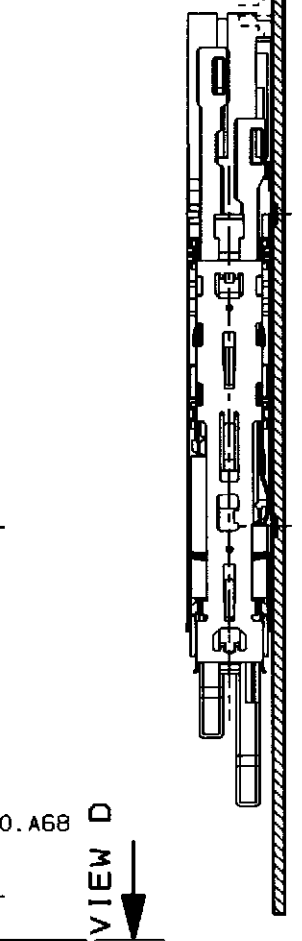
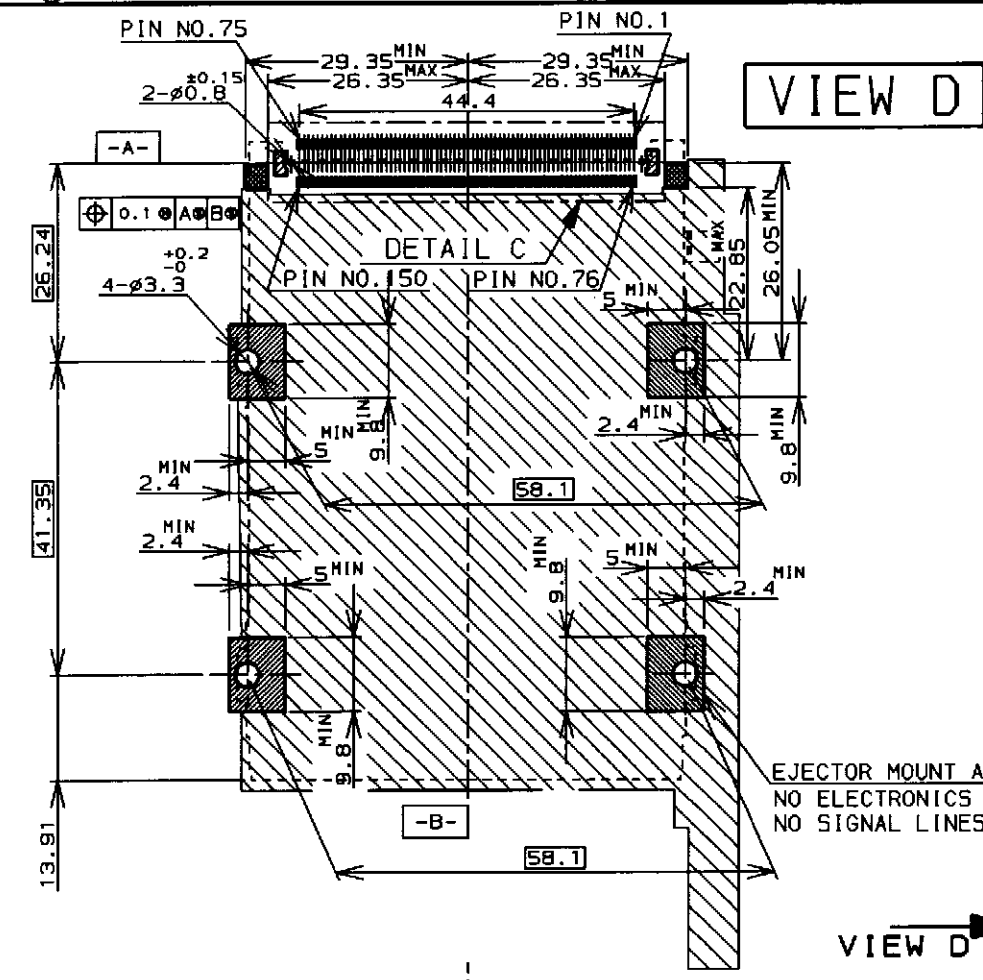
0-1123783-1; AS SHOWN



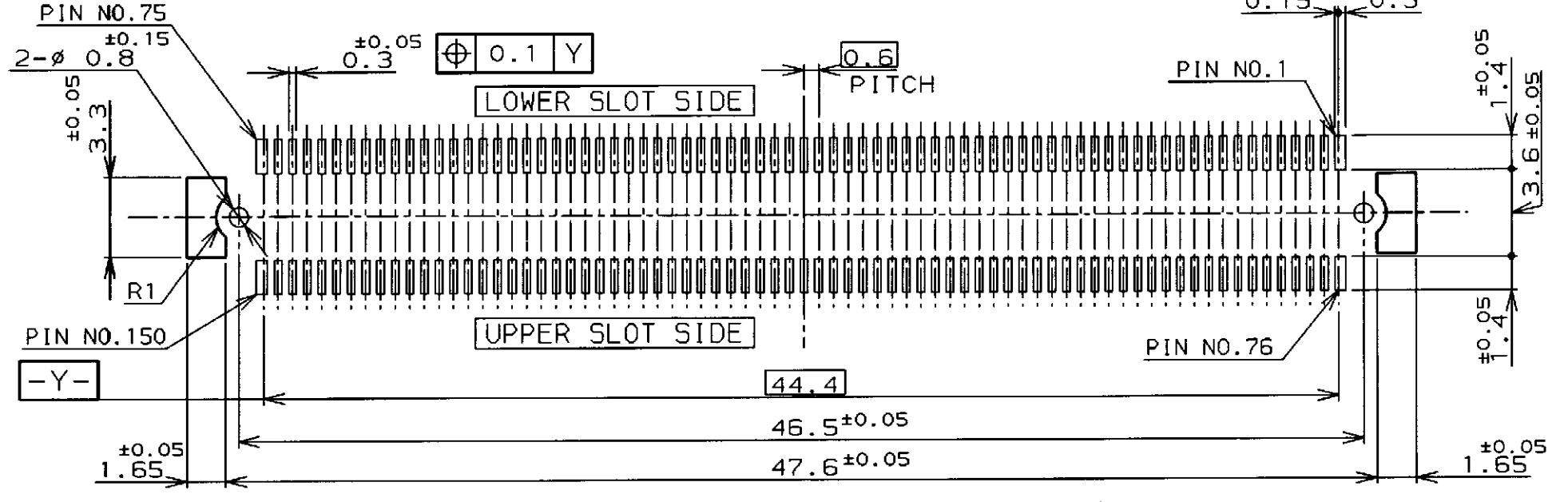
2	SPRING PIN	(8)
4	NUT (M2)	(7)
1	SHIELDING SHELL (LOWER)	(6)
1	SHIELDING SHELL (UPPER)	(5)
1	PUSH PUSH SUB ASS'Y (TOP, RIGHT)	(4)
1	HOUSING ARM (LEFT)	(3)
1	PWB (TOP MOUNT)	(2)
1	HEADER ASSEMBLY (TOP, RIGHT)	(1)
数量 QTY	名称 NAME	ITEM

THIS DRAWING IS A CONTROLLED DOCUMENT FOR AMP INCORPORATED. IT IS SUBJECT TO CHANGE AND THE CONTROLLING ENGINEERING ORGANIZATION SHOULD BE CONTACTED FOR THE LATEST REVISION.		DWN 09APR'98 K. YAMAGUCHI CHK 20APR'98 Y. YAMAMOTO APVD 20APR'98 Y. YAMAMOTO PRODUCT SPEC 108-5590 APPLICATION SPEC WEIGHT 37gr		<b>AMP</b> Kawasaki, Japan	
DIMENSIONS: 単位・種 mm 		TOLERANCES UNLESS OTHERWISE SPECIFIED 一般公差 ±0.5		NAME CARD BUS CONNECTOR DOUBLE SLOT TOP MOUNT PUSH-PUSH TYPE	
MATERIAL 材料		FINISH 仕上		SIZE A3 CAGE CODE 00779 DRAWING NO. 1123783 RESTRICTED TO	
CUSTOMER DRAWING				SCALE 1:1 SHEET 1 OF 2 REV B	

LOC		DIST		REVISIONS			
P	LTR	DESCRIPTION	ECN	DATE	DWN	APVD	



推奨取付寸法 (部品搭載面)  
 APPLICABLE P.C. BOARD LAYOUT  
 (VIEW FROM CONN. MOUNTING SIDE)

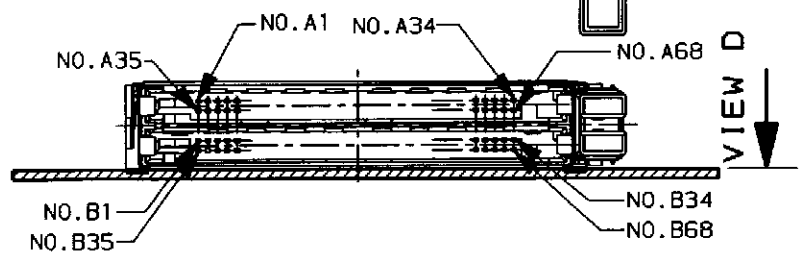


DETAIL "C" (SCALE 4:1)

EJECTOR MOUNT AREA (6PLCES)  
 NO ELECTRONICS COMPONENTS  
 NO SIGNAL LINES etc.

### PIN ASSIGNMENT FOR TOP MOUNT

COMMON	PIN ASSIGNMENT		COMMON
A35	B35	73	PIN NO. REC. CONN. 150P
A1	B1	74	
A36	B36	72	
A2	B2	72	
A37	B3	71	
A3	B38	70	
A38	B4	69	
A4	B4	68	
G	B39	67	
A39	B5	66	
A5	B40	65	
A40	B6	64	
A6	B7	63	
A41	B41	62	
A7	B42	61	
A42	G	60	
G	B8	59	PIN NO. REC. CONN. 150P
A8	B43	58	
A43	B9	57	
A9	B44	56	
A44	B10	55	
A10	B45	54	
A45	B11	53	
A11	G	52	
G	B46	51	
A46	B12	50	
A12	B47	49	
A47	B13	48	
A13	B48	47	
A48	B14	46	
A14	B49	45	
A49	G	44	
G	B15	43	PIN NO. REC. CONN. 150P
A15	B50	42	
A50	B16	41	
A16	B51	40	
A51	NONE	39	
NONE	NONE	38	
A52	B18	37	
A19	B19	36	
A53	B53	35	
A20	B20	34	
G	G	33	
A54	B54	32	
A21	B21	31	
A55	B55	30	
A22	B22	29	
A56	B56	28	
A23	B23	27	
A57	B57	26	
G	G	25	PIN NO. REC. CONN. 150P
A24	B24	24	
A58	B58	23	
A25	B25	22	
A59	B59	21	
A26	B26	20	
A60	B60	19	
A27	B27	18	
G	G	17	
A61	B61	16	
A28	B28	15	
A62	B62	14	
A29	B29	13	
A63	B63	12	
A30	B30	11	
A64	B64	10	
G	G	9	PIN NO. REC. CONN. 150P
A31	B31	8	
A65	B65	7	
A32	B32	6	
A66	B66	5	
A33	B33	4	
A67	B67	3	
A34	B34	2	
A34	B34	1	
A68	B68	0	



THIS DRAWING IS A CONTROLLED DOCUMENT FOR AMP INCORPORATED. IT IS SUBJECT TO CHANGE AND THE CONTROLLING ENGINEERING ORGANIZATION SHOULD BE CONTACTED FOR THE LATEST REVISION.

DIMENSIONS: 単位: 毫 mm	TOLERANCES UNLESS OTHERWISE SPECIFIED — 般公差 ±0.5
MATERIAL 材料	FINISH 仕上

CHK  
APVD  
PRODUCT SPEC  
製品規格  
APPLICATION SPEC  
取付適用規格  
WEIGHT  
CUSTOMER DRAWING

**AMP** Kawasaki, Japan

### CARD BUS CONNECTOR DOUBLE SLOT TOP MOUNT PUSH-PUSH TYPE

SIZE: A3 CAGE CODE: 00779 DRAWING NO: 1123783 RESTRICTED TO: B

SCALE: 1:1 SHEET: 2 OF 2 REV: B