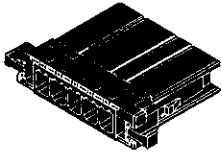


Wire to Board Connectors Dynamic Series Connectors/D-3000 Series D-3100S — Standard SMT Type

Appearance Withstanding Voltage : 1,500V (for one minute) Voltage Rating : 250V AC

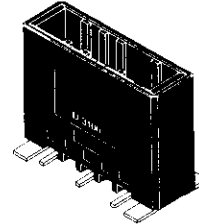
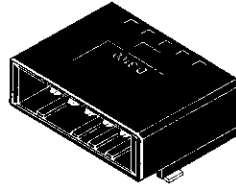
Receptacle Housing



Board-mounting Tab Header

(Horizontal Type)

(Vertical Type)



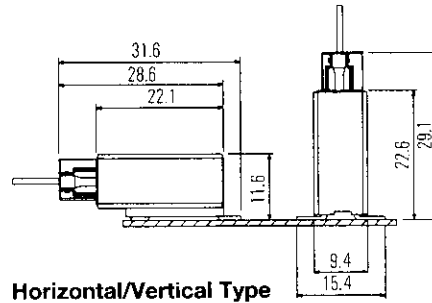
Part Number Chart

No. of Pos.	Keying	Receptacle Housing*	Board-mounting Tab Header	
			Horizontal Type	Vertical Type
3	X	1-178288-3		
5	X	1-178288-5	1-177662-□	1-177665-□
8	X	1-178288-7	1-179188-□	

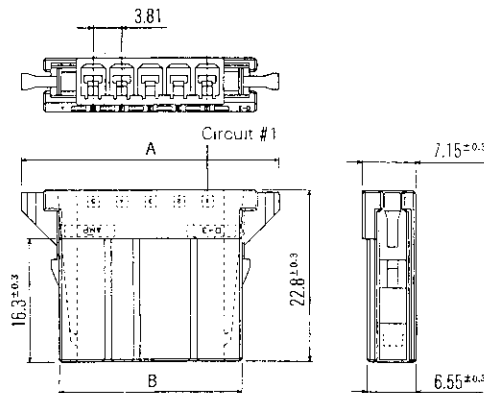
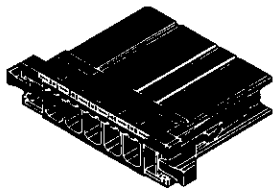
Note : Enter the following plating codes in -□ after Part Numbers :
 -2 = 0.38μm thick gold plating
 -3 = 0.76μm thick gold plating

Material of Tab Header : P.P.S.
 *D-3100S series.

Mating Dimensions



Receptacle Housing



No. of Pos.	Part Number	Dimensions	
		A	B
3	□-178288-3	26.76	16.70
5	□-178288-5	34.38	24.32
8	□-178288-7	45.81	35.97