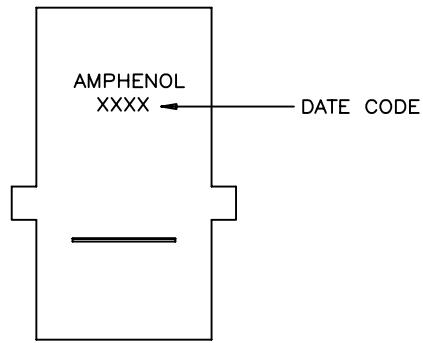
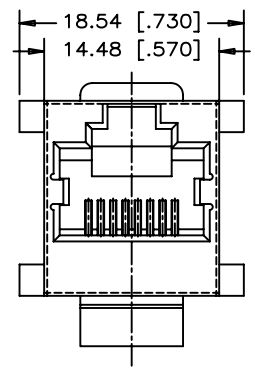


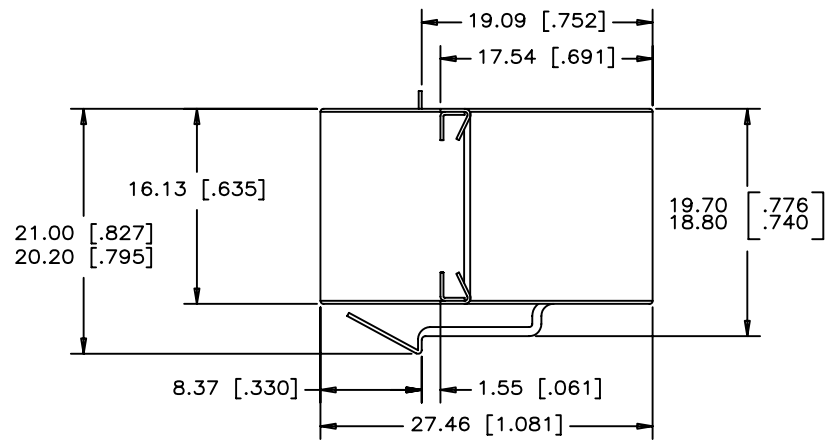
REVISIONS			
SYM	ECN, ERN NO.	DATE	APPRD.
A	PROPOSAL	05/12/21	LCHAN



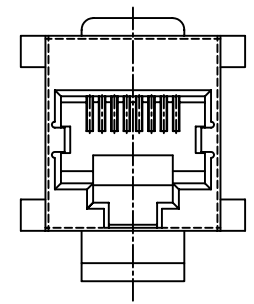
TOP VIEW



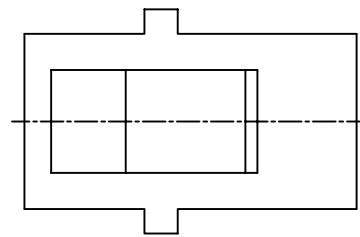
FRONT VIEW



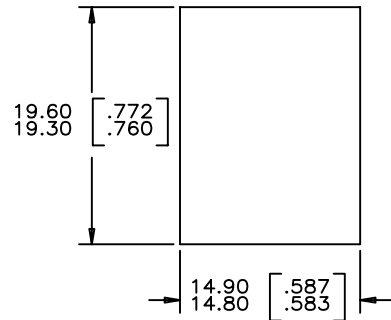
SIDE VIEW



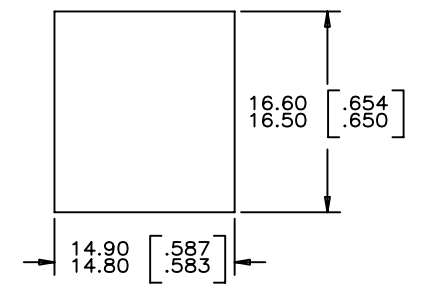
REAR VIEW



BOTTOM VIEW



SINGLE PANEL - LATCH CLEARANCE
PANEL THICKNESS 1.57 [.062]



RECOMMENDED CUTOUT FOR JACK
CLEARANCE WITHOUT LATCH FEATURE

MATERIALS:
 HOUSING: HIGH TEMPERATURE THERMOPLASTIC
 FLAMMABILITY RATING UL 94V-0.
 COLOUR: BLACK
 SHIELD: STAINLESS STEEL.
 CONTACT: PHOSPHOR BRONZE.
 PLATING: 6 u" GOLD ON MATING SURFACES
 50 u"[1.27 MICRONS]MIN. NICKEL UNDERPLATE.
 100 u"[2.54 MICRONS] MIN. MATTE TIN OR GOLD
 FLASH ON CONTACT TAILS.

AMPHENOL PART NUMBER: RJE17-288-1121

UNLESS OTHERWISE SPECIFIED TOLERANCES ARE ±0.25 mm

MATERIAL	DRAWN <i>Chigow</i>	DATE <i>05/12/22</i>
	DESIGNED	
FINISH	CHECKED <i>PAULW</i>	DATE <i>05/12/22</i>
	I. E. APPRD.	
	Q. A. APPRD.	
	DWG. APPRD.	
	ENG. REL. NO.	
	REF.	
	DIMENSIONS ARE IN	CODE ID. NO.
	<i>mm</i> [INCHES]	<i>03554</i>

Amphenol Canada Corp.		
TITLE MODULAR COUPLER JACK, 8 POSITION, 8 CONTACTS, WITH SHIELD, WITH FLANGE (WITH PANEL LATCH)-RoHS COMPLIANT		
DWG. C	DRAWING NO. P-RJE17-288-1121	REV. A
SCALE 3/1	WT. _____	SURF. _____
SHEET 1 OF 1		

THIS DOCUMENT CONTAINS PROPRIETARY INFORMATION AND SUCH INFORMATION MAY NOT BE DISCLOSED TO OTHERS FOR ANY PURPOSE OR USED FOR MANUFACTURING PURPOSES WITHOUT WRITTEN PERMISSION FROM AMPHENOL CANADA CORP.