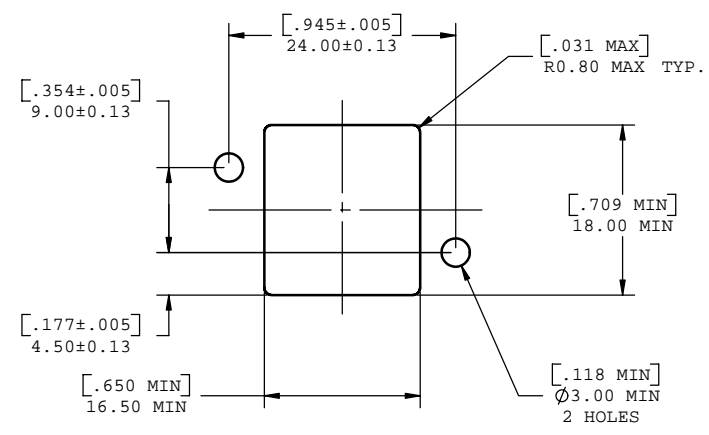
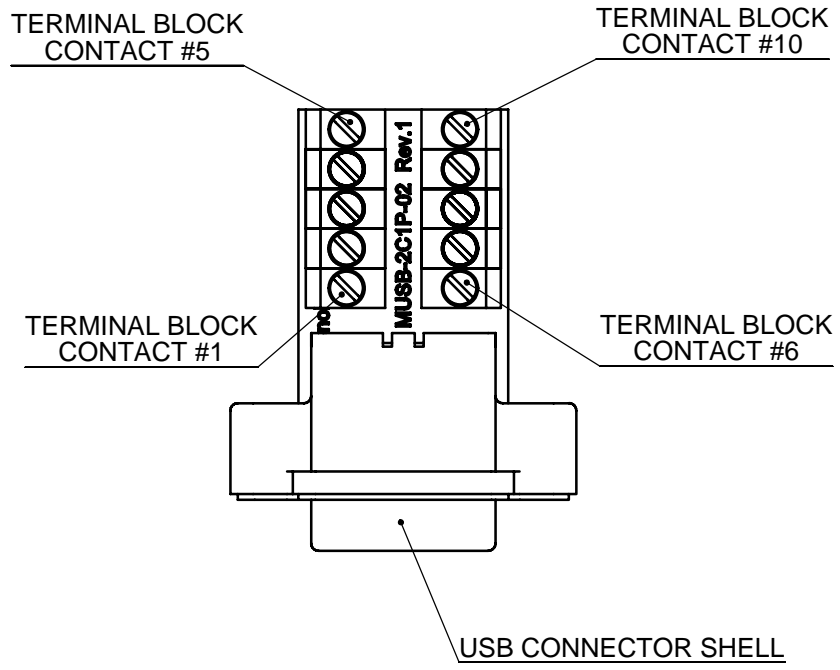


NOTES:

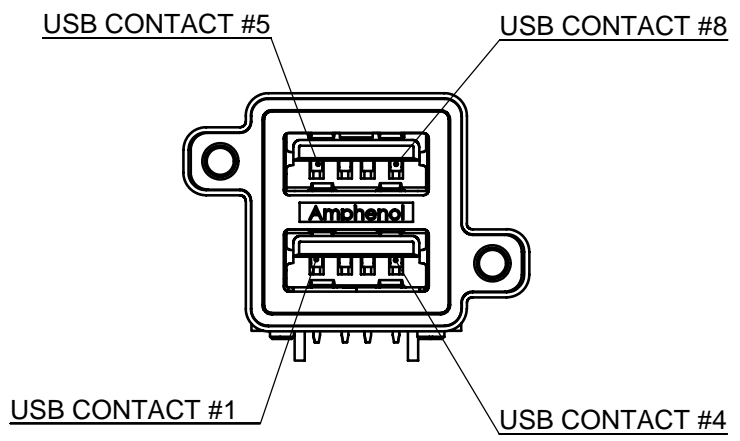
- COMPONENTS:
 - CONNECTOR: MUSB-C111-3X, RECEPTACLE, TYPE A, 2 PORTS, 4 CONTACTS PER PORT.
 - WIRE TERMINATION: 22-12 AWG.
- FEATURE: SEALED CONNECTOR IN THE MATED AND UNMATED CONDITIONS.
- OPERATING TEMPERATURE: -40°C TO +105°C.
- ENVIRONMENT PERFORMANCE: IP67.
- ALL COMPONENTS AND MATERIALS USED FOR CONNECTOR AND PACKAGING ARE ROHS COMPLIANT PER EU DIRECTIVE 2002/95/EC AND AMENDMENTS.
- PART NUMBER FOR ORDER:
 - MUSB-C411-30 - CONNECTOR WITH NO DUST COVER,
 - MUSB-C411-31 - CONNECTOR WITH GREY COLOR DUST COVER,
 - MUSB-C411-35 - CONNECTOR WITH BLACK COLOR DUST COVER.

UNLESS OTHERWISE SPECIFIED DIMENSIONS ARE IN MILLIMETER TOLERANCES ARE: DECIMALS ANGLES .XX ±.10 ± 1° .X ±.25	APPROVALS	DATE	Amphenol Canada Corp.		
	DRAWN S.SEMENOV	SEP11/06			
MATERIAL AND FINISH	DESIGNED S.SEMENOV	SEP11/06	TITLE MUSB CONNECTOR, TYPE A, STACKED, WITH TERMINAL BLOCKS		
	CHECKED				
REF.	QA APP'D		SIZE	DWG. NO.	REV.
	IE APP'D		C	P-MUSB-C411-3X	3
CODE IDENT. NO.	DWG APP'D A.GREEN	SEP11/06	SCALE	PROJECT	SHEET
			3:1	MUSB	1 OF 3

REV - DESCRIPT - DATE - APPRVD



RECOMMENDED PANEL CUTOUT

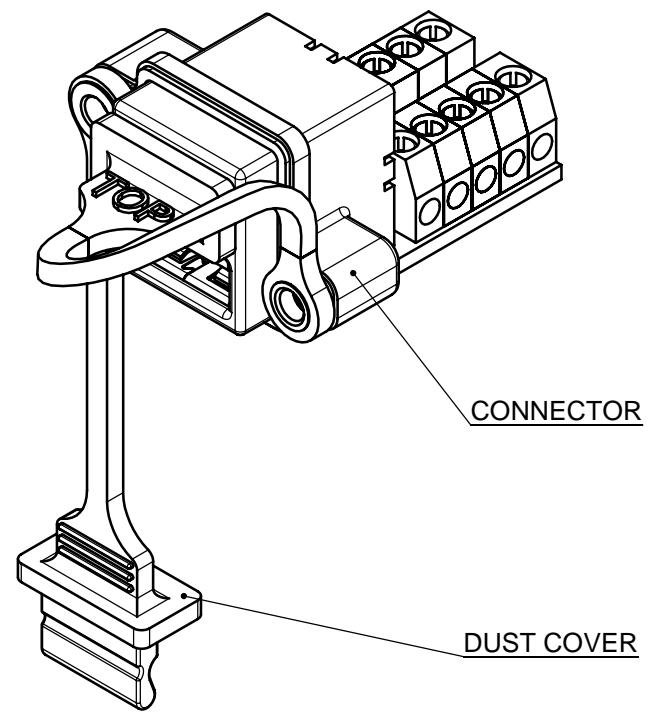


USB CONNECTOR CONTACTS	TERMINAL BLOCK CONTACTS
CONNECTOR SHELL	5, 10
1	1
2	2
3	3
4	4
5	6
6	7
7	8
8	9

UNLESS OTHERWISE SPECIFIED DIMENSIONS ARE IN MILLIMETER TOLERANCES ARE:	APPROVALS	DATE	Amphenol Canada Corp.	
	DRAWN S.SEMENOV	SEP11/06		
	DESIGNED S.SEMENOV	SEP11/06	TITLE	MUSB CONNECTOR, TYPE A, STACKED, WITH TERMINAL BLOCKS
	CHECKED		SIZE	C
MATERIAL AND FINISH	QA APP'D		DWG. NO.	P-MUSB-C411-3X
REF.	IE APP'D		SCALE	3:1
CODE IDENT. NO.	DWG APP'D A.GREEN	SEP11/06	PROJECT	MUSB
			SHEET	2 OF 3



DO NOT SCALE DRAWING
THIS DOCUMENT CONTAINS PROPRIETARY INFORMATION AND SUCH INFORMATION MAY NOT BE DISCLOSED TO OTHERS FOR ANY PURPOSE OR USED FOR MANUFACTURING PURPOSES WITHOUT PERMISSION FROM AMPHENOL CANADA CORP.



MUSB-C411-31 IS SHOWN
 (SCREWS AND PANEL ARE NOT SHOWN)
 FOR MORE INFORMATION ABOUT DUST COVER
 SEE DRAWING P-MUSB-2A111-0X4

MUSB CONNECTOR PRODUCT NUMBERING SYSTEM	
	MUSB - X1 X2 X3 X4 - X5 X6
MUSB	Connector designation
X1	STYLE A - Receptacle type A, single C - Receptacle type A, stacked (double)
X2	TERMINATION 4 - Right angle, PCB mount, with terminal block
X3	NUMBER OF CONTACTS 1 - Standard 4 per port
X4	COLOR 1 - Standard black
X5	OPTIONS 3 - With rear shield
X6	SPECIALS 0 - Standard 1 - With grey color dust cover 5 - With black color dust cover



UNLESS OTHERWISE SPECIFIED DIMENSIONS ARE IN MILLIMETER TOLERANCES ARE:		APPROVALS	DATE	Amphenol Canada Corp.	
DECIMALS ANGLES .XX ± .10 ± 1° .X ± .25		DRAWN S.SEMENOV	SEP11/06		
MATERIAL AND FINISH		DESIGNED S.SEMENOV	SEP11/06	TITLE MUSB CONNECTOR, TYPE A, STACKED, WITH TERMINAL BLOCKS	
REF.		CHECKED		SIZE C	DWG. NO. P-MUSB-C411-3X
CODE IDENT. NO.		QA APP'D		SCALE 1:0.2	REV. 3
		IE APP'D		PROJECT MUSB	SHEET 3 OF 3
		DWG APP'D A.GREEN	SEP11/06		