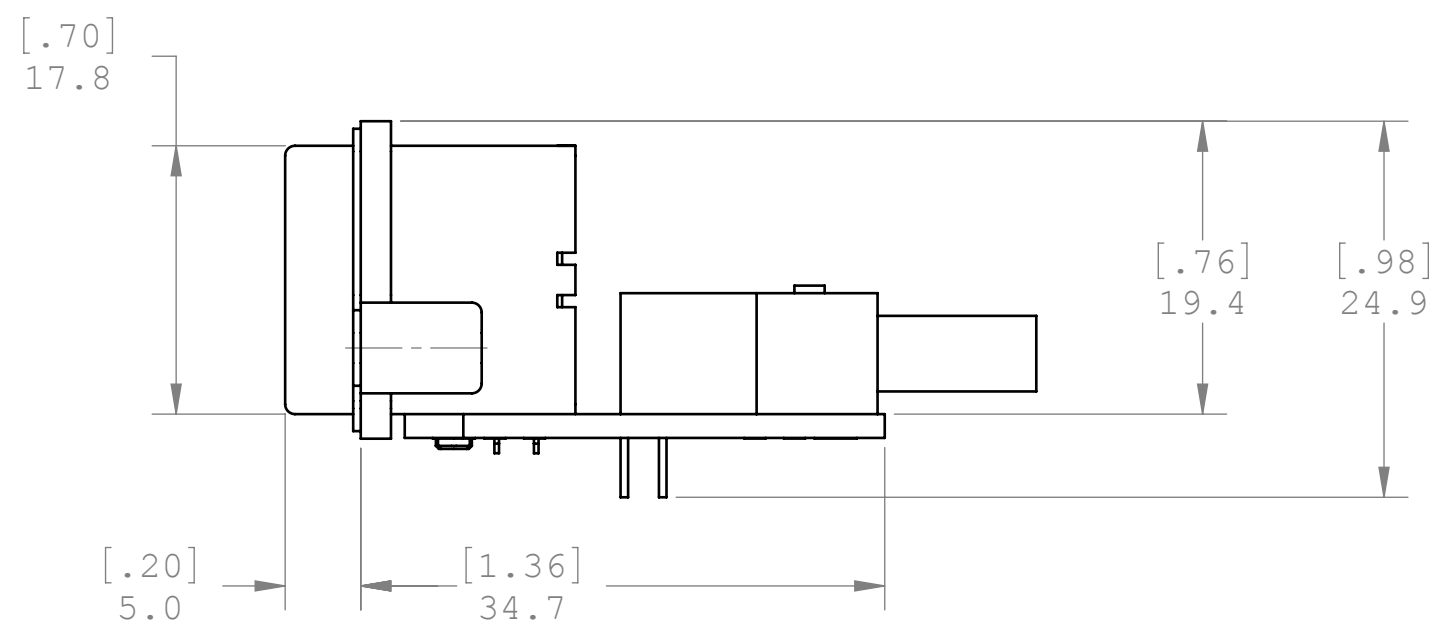
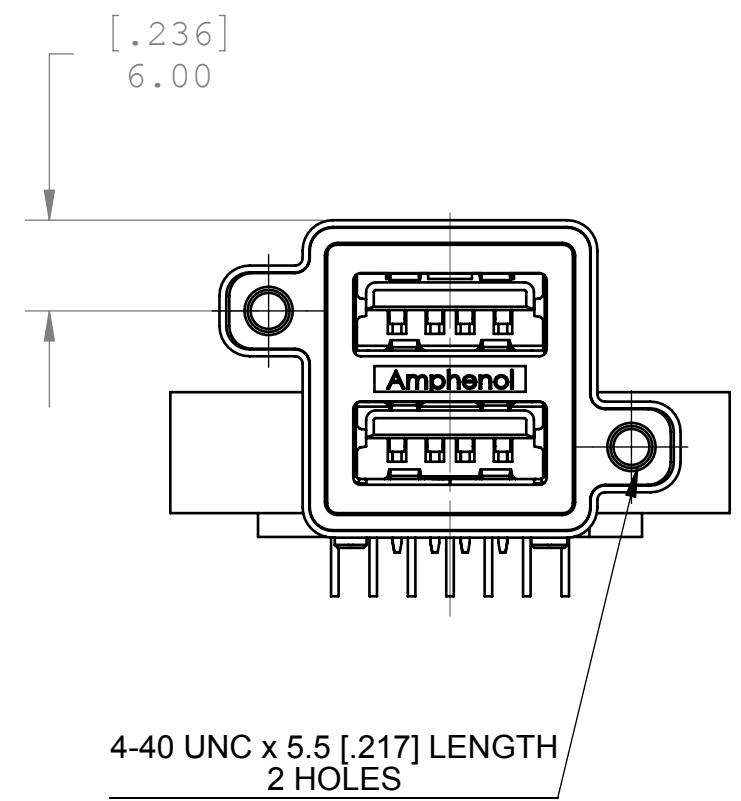
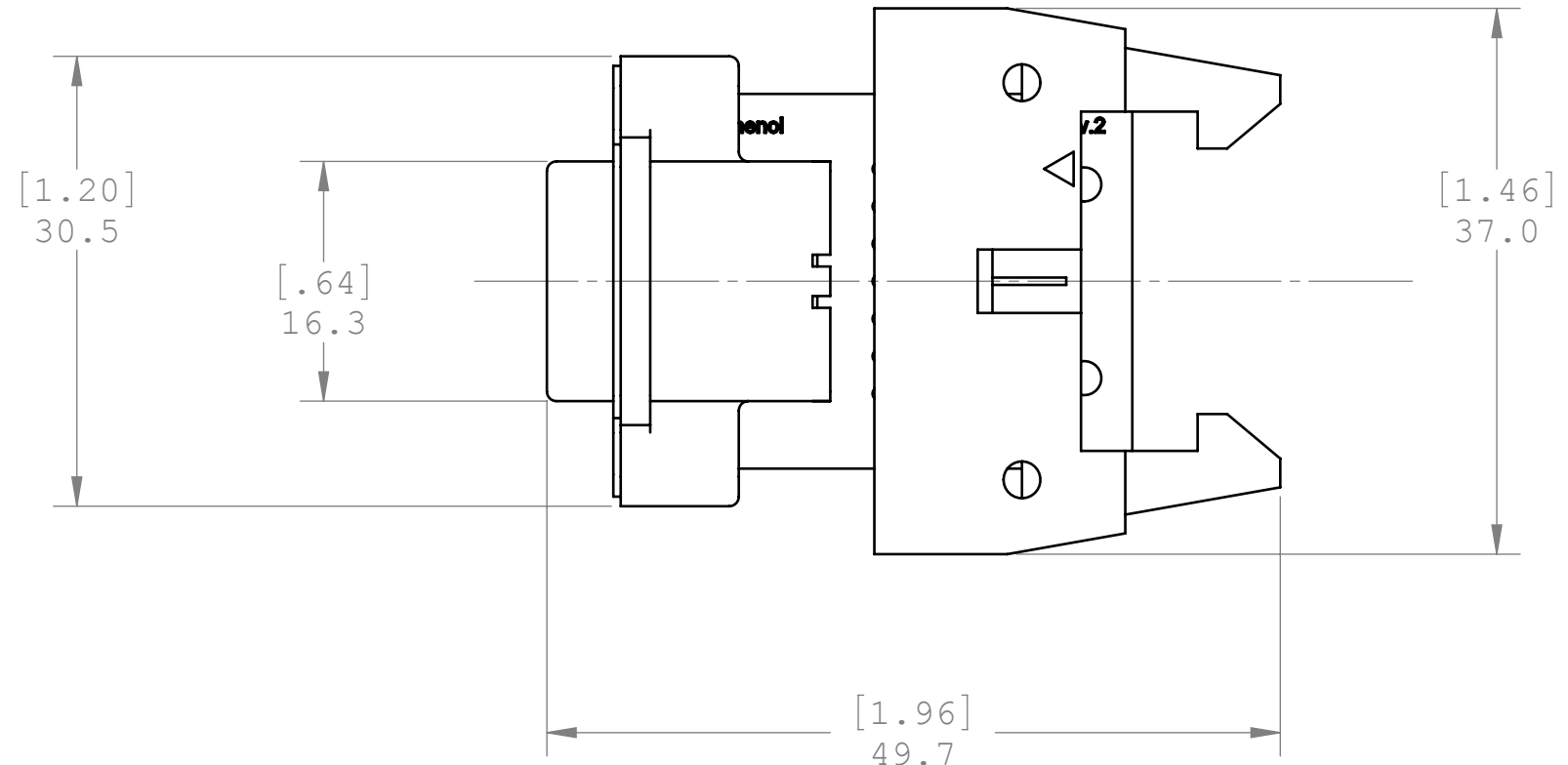
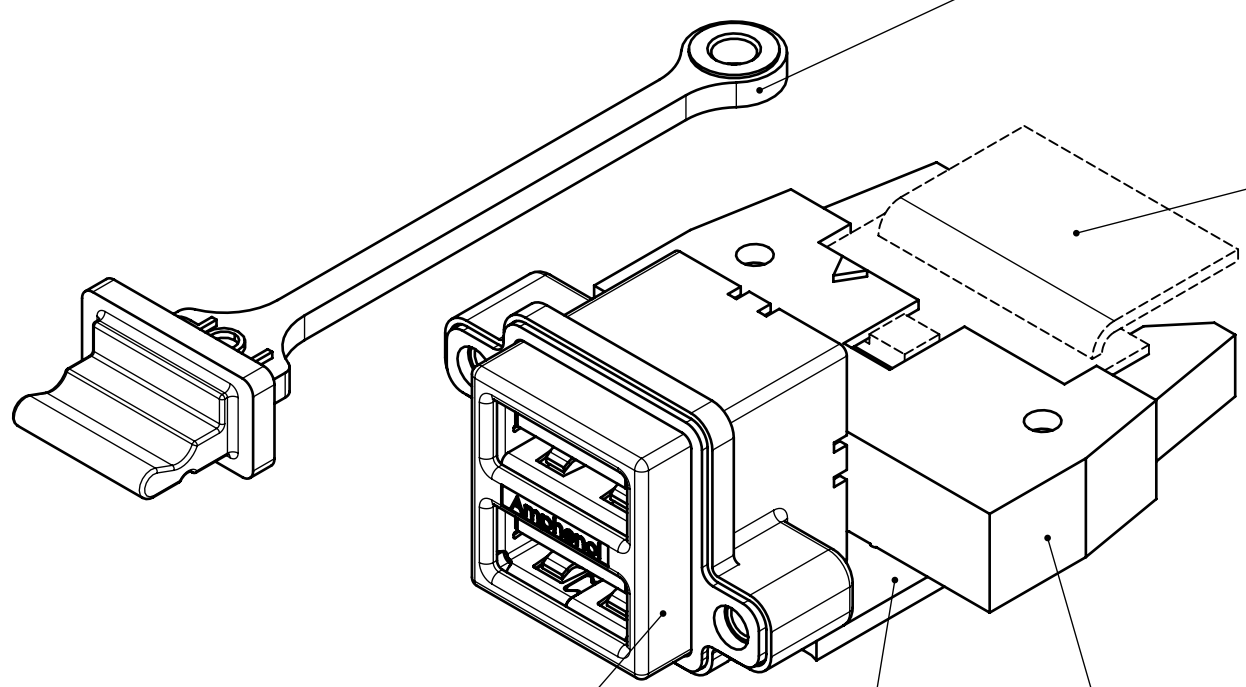


REV	DESCRIPT	DATE	APPRVD



**DUST COVER,
FOR MORE INFORMATION
SEE P-MUSB-2A111-0X4**

**CABLE SOCKET
(NOT SUPPLIED)**



CONNECTOR

PCB

CABLE HEADER

NOTES:

- COMPONENTS:
- CONNECTOR: MUSB-C111-30, RECEPTACLE, TYPE A, 2 PORTS, 4 CONTACTS PER PORT.
- CABLE TERMINATION: 14 POSITION IDS SOCKET AT 2.54 MM [0.100"] CENTERS (NOT SUPPLIED).
- FEATURE: SEALED CONNECTOR IN THE MATED AND UNMATED CONDITIONS.
- OPERATING TEMPERATURE: -40°C TO +85°C.
- ENVIRONMENT PERFORMANCE: IP67.
- ALL COMPONENTS AND MATERIALS USED FOR CONNECTOR AND PACKAGING ARE ROHS COMPLIANT PER EU DIRECTIVE 2002/95/EC AND AMENDMENTS.
- PART NUMBER FOR ORDER:
- MUSB-C211-30 - CONNECTOR WITH NO DUST COVER,
- MUSB-C211-31 - CONNECTOR WITH GREY COLOR DUST COVERS,
- MUSB-C211-35 - CONNECTOR WITH BLACK COLOR DUST COVERS.



UNLESS OTHERWISE SPECIFIED DIMENSIONS ARE IN MILLIMETER TOLERANCES ARE:

DECIMALS ANGLES
.XX ± .10 ± 1°
.X ± .25

MATERIAL AND FINISH

REF.

CODE IDENT. NO.

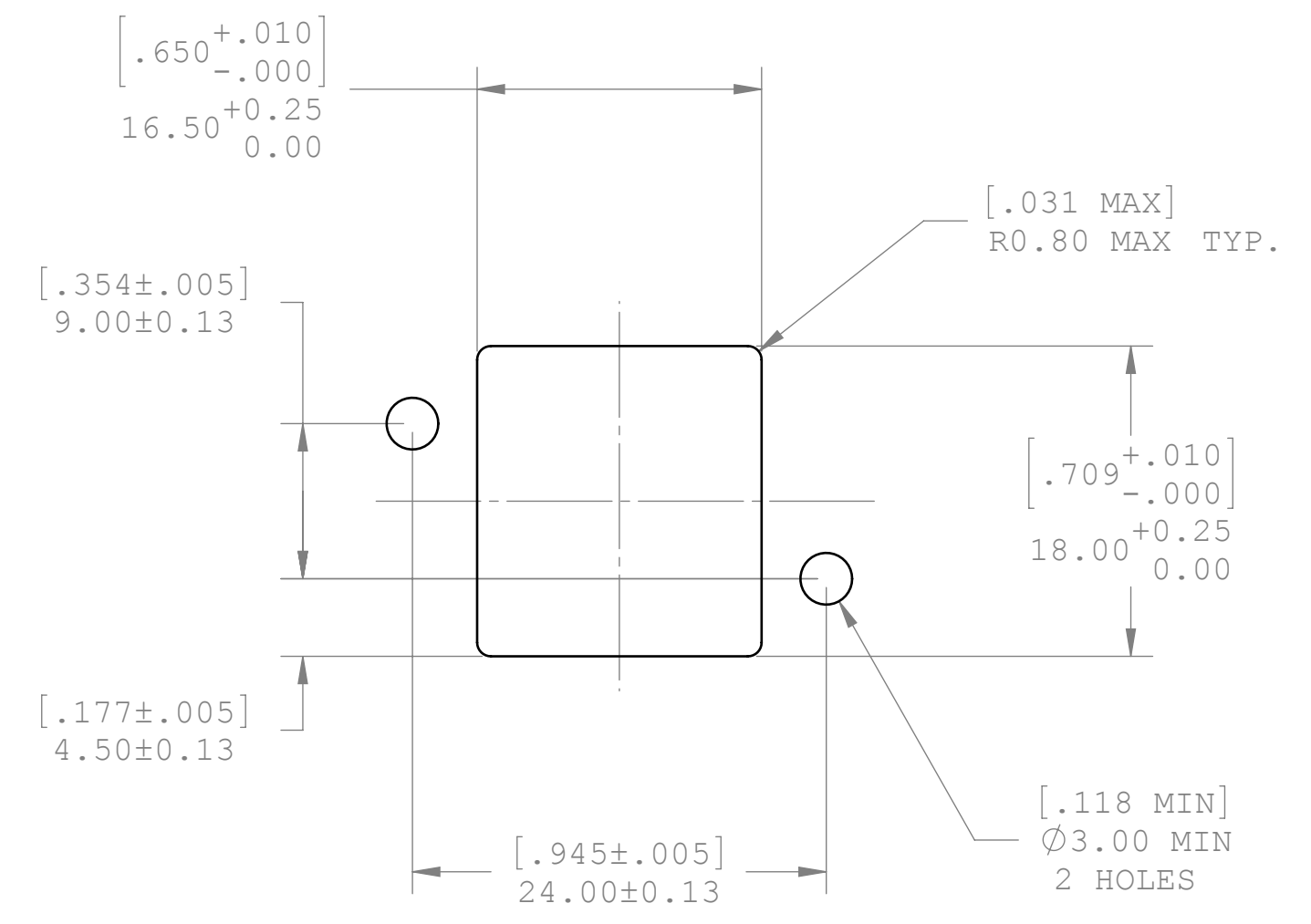
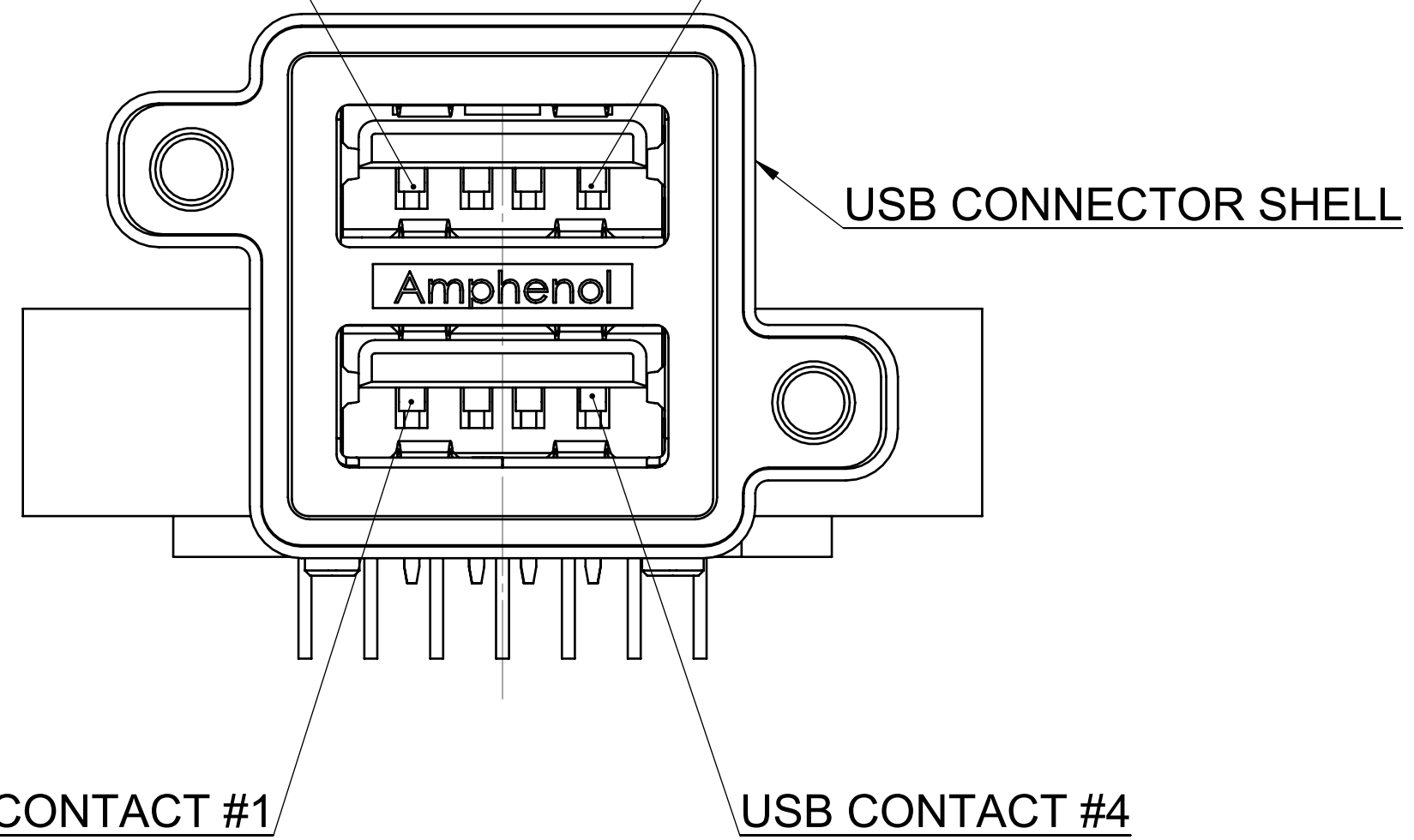
APPROVALS	DATE
DRAWN S.SEMENOV	MAR01/07
DESIGNED S.SEMENOV	MAR01/07
CHECKED	
QA APP'D	
IE APP'D	
DWG APP'D A.GREEN	MAR01/07

Amphenol Canada Corp.		
TITLE MUSB CONNECTOR, TYPE A, DOUBLE, RECEPTACLE, WITH CABLE HEADER		
SIZE C	DWG. NO. P-MUSB-C211-3X	REV. A
SCALE 2:1	PROJECT MUSB	SHEET 1 OF 2

DO NOT SCALE DRAWING
THIS DOCUMENT CONTAINS PROPRIETARY INFORMATION AND SUCH INFORMATION MAY NOT BE DISCLOSED TO OTHERS FOR ANY PURPOSE OR USED FOR MANUFACTURING PURPOSES WITHOUT PERMISSION FROM AMPHENOL CANADA CORP.

USB CONTACT #5

USB CONTACT #8



RECOMMENDED PANEL CUTOUT

MUSB TO CABLE HEADER PIN ASSIGNMENT

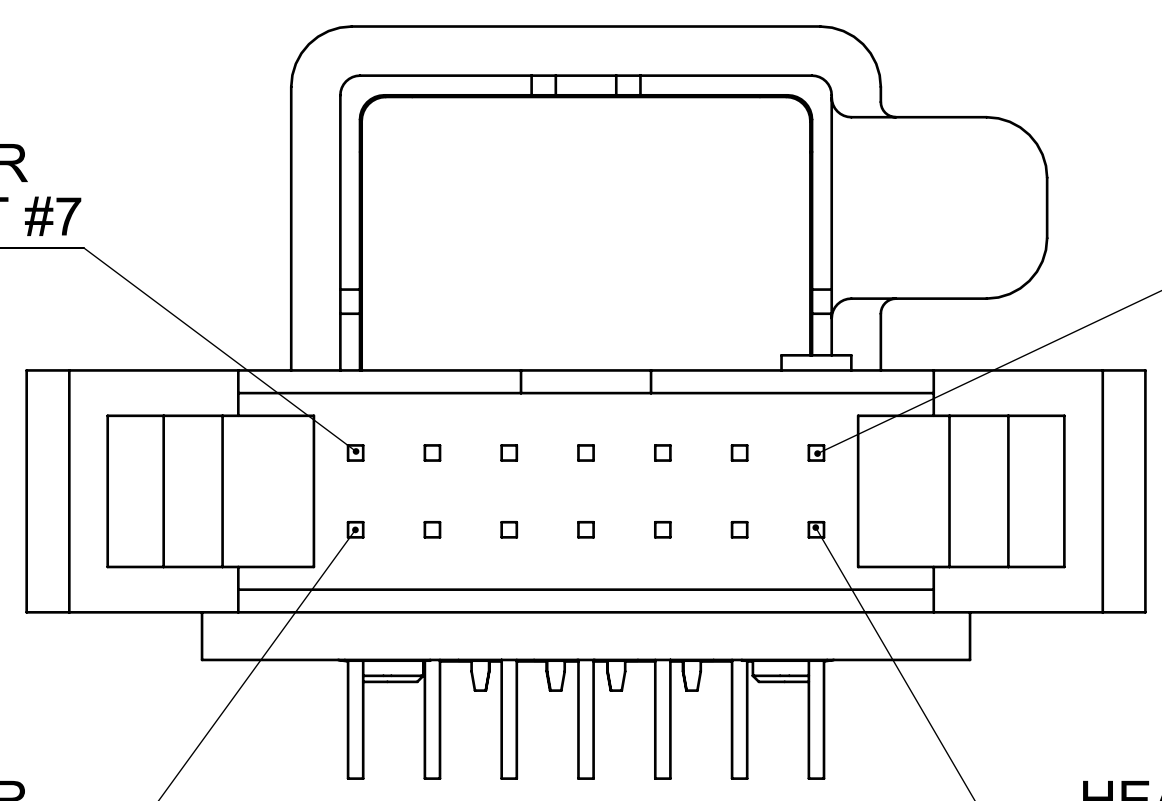
MUSB TO CABLE HEADER PIN ASSIGNMENT	
MUSB CONTACTS	CABLE HEADER CONTACTS
1	14
2	13
3	12
4	11
5	7
6	6
7	5
8	4
SHELL	1

HEADER CONTACT #7

HEADER CONTACT #1

HEADER CONTACT #14

HEADER CONTACT #9



UNLESS OTHERWISE SPECIFIED DIMENSIONS ARE IN MILLIMETER TOLERANCES ARE:		APPROVALS	DATE	Amphenol Canada Corp.
DECIMALS	ANGLES	DRAWN	MAR01/07	
.XX ± .10	± 1°	S.SEMENOV		TITLE
.X ± .25		DESIGNED	MAR01/07	MUSB CONNECTOR, TYPE A, DOUBLE, RECEPTACLE, WITH CABLE HEADER
MATERIAL AND FINISH		CHECKED		SIZE
		QA APP'D		C
REF.		IE APP'D		DWG. NO.
		DWG APP'D	MAR01/07	P-MUSB-C211-3X
CODE IDENT. NO.		A.GREEN		REV.
				A
				SCALE
				1:0.333333MUSB
				PROJECT
				MUSB
				SHEET
				2 OF 2