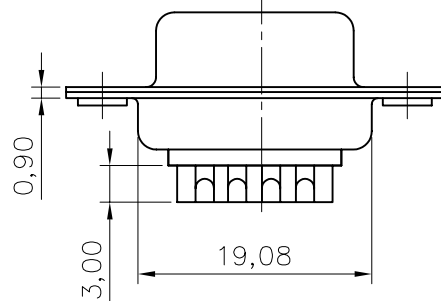
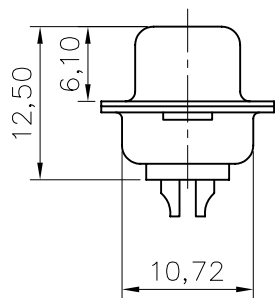
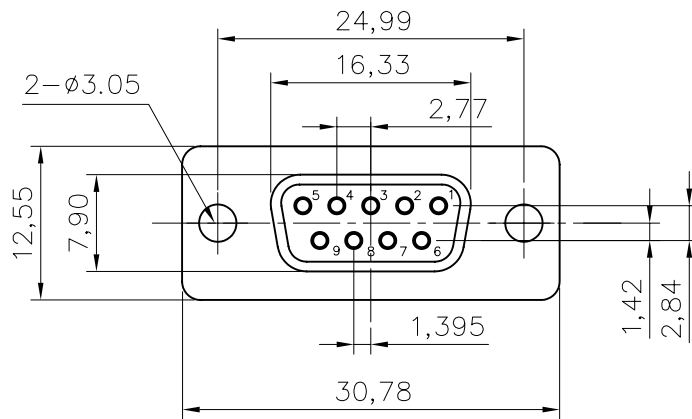


This document is the property of Amphenol Corporation and is delivered on the express condition that it is not to be disclosed, reproduced or used, in whole or in part, for manufacture or sale by anyone other than Amphenol Corporation without its prior consent, & that no right is granted to disclose or to use any information in this document.



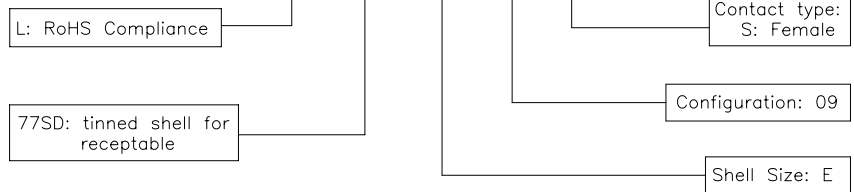
REVISIONS				
SYM	ECN	DESCRIPTION	DATE	APPROVED
A			09/21/07	

D-SUB TECHNICAL DATA

SHELL : Steel, 2.5um(100u") min tin over 1.25um(50u") min nickel
 BODY : Glass filled thermoplastic.
 Flame retarding to UL94 V-0 Color Black
 CONTACTS : Phosphor bronze
 gold flash over 1.25um(50u") min nickel on mating area.
 2.5um(100u") min tin over 1.25um(50u") min nickel on solder area
 ELECTRICAL : Voltage rating : 250 V RMS at 50 Hz
 Current rating :1A
 Withstanding Voltage >1000 V RMS at 60 Hz for one minute
 Insulation resistance >5000 M Ohms
 Contact resistance 20 mOhms max.
 CLIMATIC : Temperature range -55 °C up to 125°C
 MARKING : Amphenol...(Series No.)
 Commercial reference
 Manufacturing date

PRODUCT CODE

L 77SD E 09 S



UNLESS OTHERWISE SPECIFIED TOLERANCES		APPROVAL		DATE
U.S.	METRIC	DRAWN	Checked	09/21/07
.X +/-	0.50	Christina.ora	09/21/07	
.XX +/-	0.30	Checked	kk.wang	09/21/07
.XXX +/-	0.20	Checked		
FRACTIONS +/-				
ANGLES +/-	2'			
FOR MATERIALS AND FINISHES SEE NOTES		DRAWING FILE :		
REMOVE SHARP EDGES		ANGLE OF PROJECTION		
DIMENSIONS				
U.S.	INCHES			
METRIC	MM			

Amphenol		
TITLE Stamped and Formed connector, SD series		
SIZE	DRAWING NO.	REV.
A4	C L77SDE09S	A
SCALE	NONE	SHEET 1 OF 1