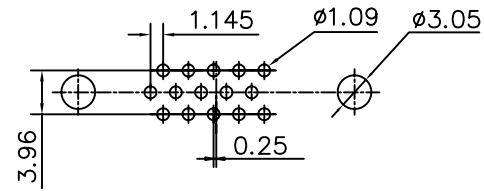
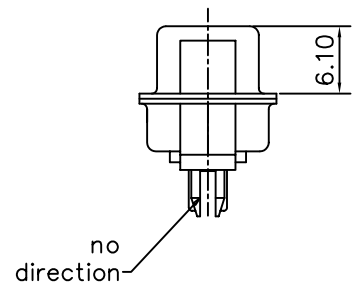
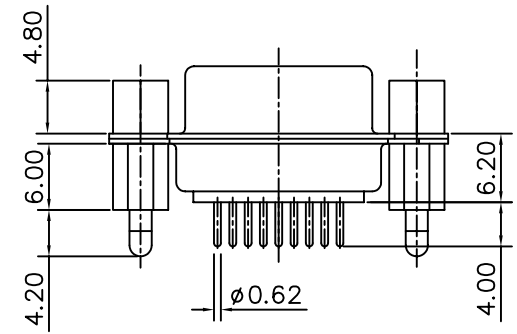
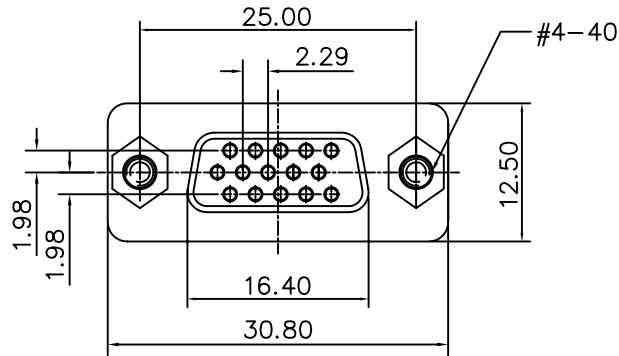


This document is the property of Amphenol Corporation and is delivered on the express condition that it is not to be disclosed, reproduced or used, in whole or in part, for manufacture or sale by anyone other than Amphenol Corporation without its prior consent, & that no right is granted to disclose or to use any information in this document.



RECOMMENDED P.C.B LAYOUT
(TOLERANCE +/-0.03)



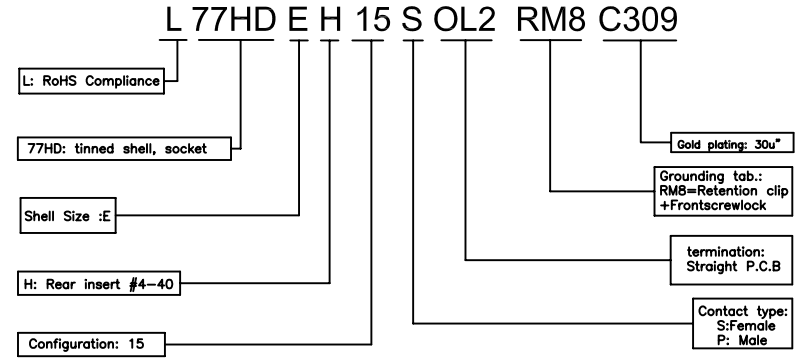
REVISIONS

SYM	ECN	DESCRIPTION	DATE	APPROVED
A			23/03/07	

D-SUB TECHNICAL DATA

SHELL :Steel 100u" min tin over 50u" min nickel
 BODY : Glass filled thermoplastic.
 Flame retardant to UL94 V-0
 Color Black
 CONTACTS : signal contact : Copper alloy
 plating: 30u" gold over 50u" min nickel on mating area
 plating: 100u" min. tin over 50u" min nickel on solder area
 BOARDLOCK: Brass. 100u" min sn over 50u" min nickel
 FRONT SCREWLOCK : Brass. 100u" min sn over 50u" min nickel
 ELECTRICAL : Voltage rating 300 V Rms to 50 Hz
 Current rating Singal contacts 5A
 Withstanding Voltage >1000 V Rms to 50 Hz for one minute
 Insulation resistance >5000 M Ohms
 Contact resistance 5 mOhms max.
 CLIMATIC : Temperature range -55 °C up to 155°C
 Damp heat 56 days(40 °C-95% HR)
 MACHANICAL : Insertion force per contact<3.41N Max
 Extraction force per contact 0.21N Min..
 MARKING : Amphenol-...(Series No.)
 Commercial reference
 Manufacturing date

PRODUCT CODE



UNLESS OTHERWISE SPECIFIED TOLERANCES		APPROVAL		DATE
U.S.	METRIC	DRAWN	LikWang	23/03/07
.X +/-	0.50	CHECKED	Stefan	23/03/07
.XX +/-	0.30	CHECKED		
.XXX +/-	0.20			
FRACTIONS +/-				
ANGLES +/-	2'			
FOR MATERIALS AND FINISHES SEE NOTES				
REMOVE SHARP EDGES				
ANGLE OF PROJECTION				
DIMENSIONS				
U.S. INCHES		MILLIMETERS		
METRIC MM				

Amphenol		
TITLE Vertical w/ boardlock, SD series		
SIZE	DRAWING NO.	REV.
A4	C L77HDEH15SOL2RM5C309	A
SCALE	NONE	SHEET 1 OF 1