

This document is the property of Amphenol Corporation and is delivered on the express condition that it is not to be disclosed, reproduced or used, in whole or in part, for manufacture or sale by anyone other than Amphenol Corporation without its prior consent, & that no right is granted to disclose or to use any information in this document.

REVISIONS				
SYM	ECN	DESCRIPTION	DATE	APPROVED
1		Initial Release	5/28/12	IP

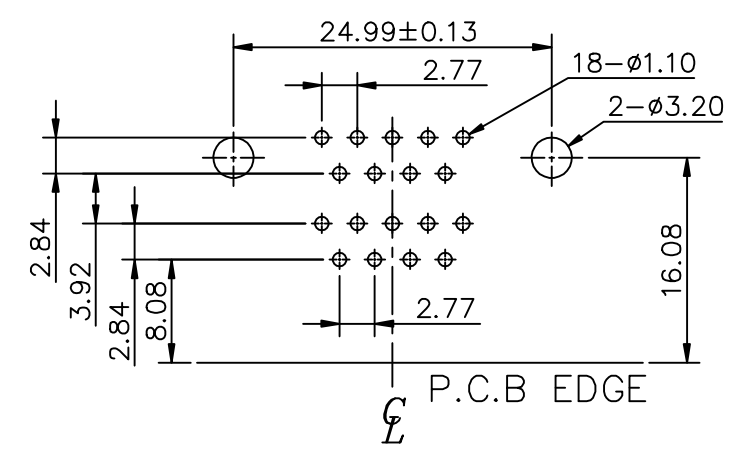
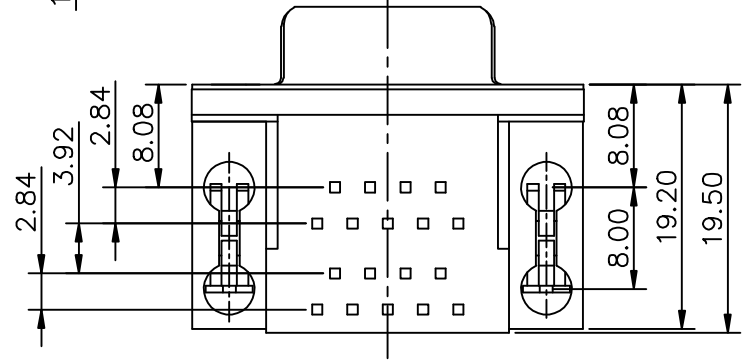
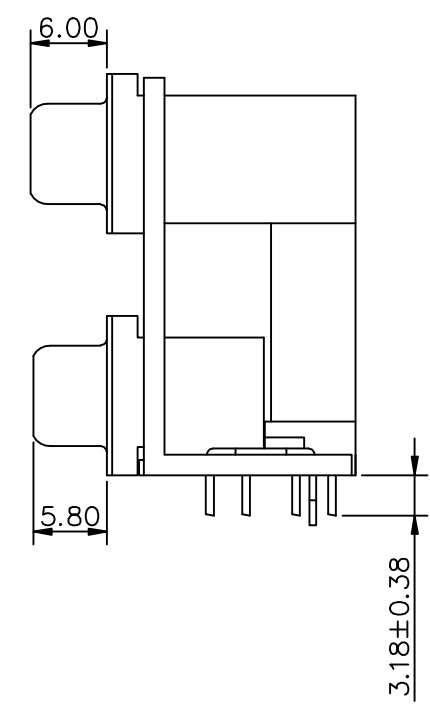
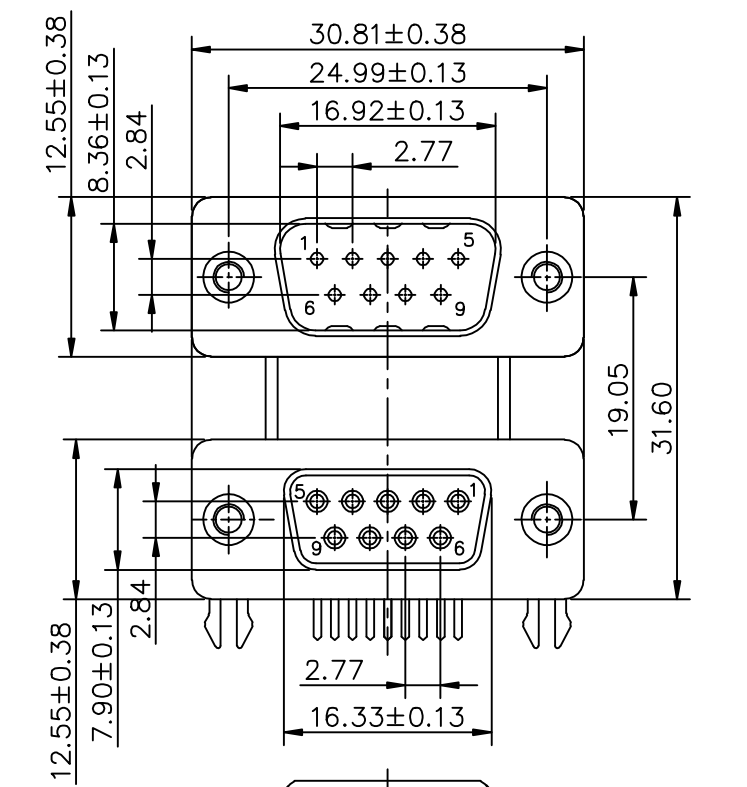
**D-SUB TECHNICAL DATA**

SHELL : Steel, 100u" min. sn over 50u" min nickel.  
 BODY : Glass filled thermoplastic  
 Flame retardant to UL94 V-0, Color Black  
 CONTACTS : Brass  
 0.76um gold over 50u" min nickel on mating area.  
 100u" min tin over 50u" min nickel on solder area  
 BOARDLOCK : Brass. 100u" min tin over 50u" min nickel  
 BRACKET : Zinc alloy. 50u" min nickel plated  
 ELECTRICAL : Voltage rating: 250V/Rms at 60Hz  
 Current rating: 3A  
 Withstanding Voltage 1000V/Rms at 50Hz for one minute  
 Insulation resistance >5000 MOhms  
 Contact resistance 25 mOhms max.  
 CLIMATIC : Temperature range -55°C up to 125°C  
 MARKING : Amphenol logo  
 Commercial code  
 Manufacturing date(YYWW)

**PRODUCT CODE**

**L 17H 2 1 2 2 1 2 0**

RoHS Compliance	Flange Mounting Option: 0=Rear insert 4-40
Spacing Between Ports: 2: F=19.05mm G=31.60mm	Board Mounting Option: 2=Dual Arrowhead Boardlock
Top Connector Type: 1=9-pos. Male	Front Shell Finish: 1=Tin over Nickel
Bottom Connector Type: 2=9-pos. Female	Contact Finish: 2=0.76um gold



**RECOMMENDED P.C.B LAYOUT**  
(Tolerance +/-0.03)



**Customer drawing**

UNLESS OTHERWISE SPECIFIED TOLERANCES U.S. METRIC .X +/- 0.50 .XX +/- 0.30 .XXX +/- 0.20 FRACTIONS +/- ANGLES +/- 2'	APPROVAL	DATE
	DRAWN XS.Cuo	5/28/12
	CHECKED Tony'	5/28/12
	CHECKED	
REMOVE SHARP EDGES	DRAWING FILE :	
DIMENSIONS	ANGLE OF PROJECTION	
U.S. INCHES		
METRIC MM		

<b>Amphenol</b> Amphenol East Asia Limited		
TITLE Dual port connector, 17H series		
SIZE A4	DRAWING NO. C L17H2122120	REV. 1
SCALE NONE	SHEET 1 OF 1	