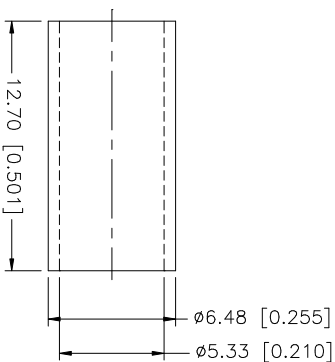
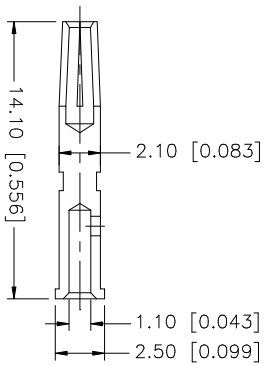
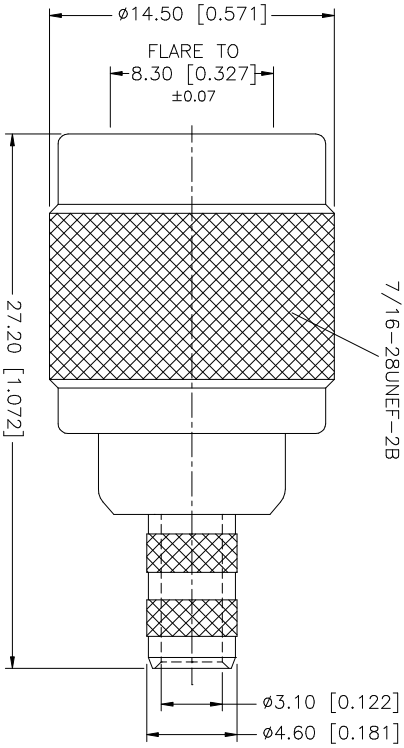
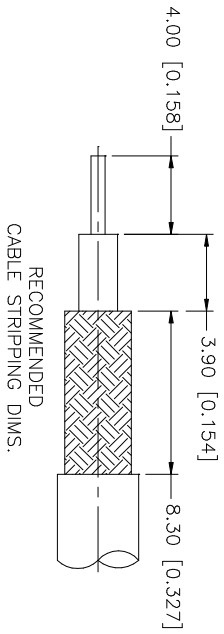


REV.	DATE	DESCRIPTION
A	02/24/03	UPDATE DRAWING FORMAT



- NOTE:
1. CRIMPED FERRULE
HEX CRIMP SIZE .213"
 2. CRIMPED CONTACT PIN
HEX CRIMP SIZE .068"

QTY	DESCRIPTION	MATERIAL	FINISH	QTY	DO NOT SCALE DRAWING	APPROVALS	DATE	PART DESCRIPTION	DWG. NO.	REV.	SIZE	SCALE
1	7/16-28UNEF-2B	7/16-28UNEF-2B		1					122108RP.DWG	A	A	NA
1	FERRULE	COPPER	NICKEL	1				Amphenol Connex TNC REVERSE POLARITY CRIMP PLUG (FOR RG-58/U, 141/U CABLE) 122108RP	122108RP.DWG	A	A	NA
1	GASKET	RUBBER	RED	1								
1	INSULATOR	TEFLON	NATURAL	1								
1	CONTACT PIN	BRASS	GOLD	1								
1	SHELL/BODY	BRASS	NICKEL	1								
1	DESCRIPTION	MATERIAL	FINISH	QTY								

UNLESS OTHERWISE SPECIFIED DIMENSIONS ARE IN INCHES AND FOR CUSTOMER REFERENCE ONLY.

UNLESS OTHERWISE SPECIFIED TOLERANCES FOR ALL DIMENSIONS ARE:

0.5 - 8mm ± 0.20mm
 8 - 30mm ± 0.40mm
 30 - 120mm ± 0.50mm

UNLESS OTHERWISE SPECIFIED TOLERANCES FOR INCHES ARE:

.020 - .315 = ± 0.007"
 .315 - 1.180 = ± 0.015"
 1.180 - 4.724 = ± 0.020"

CAD FILE C:/122/122108RP.DWG