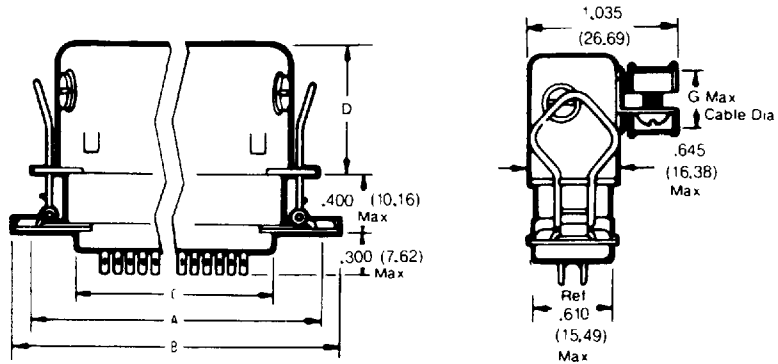
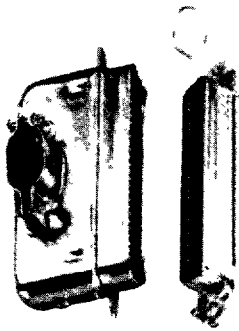
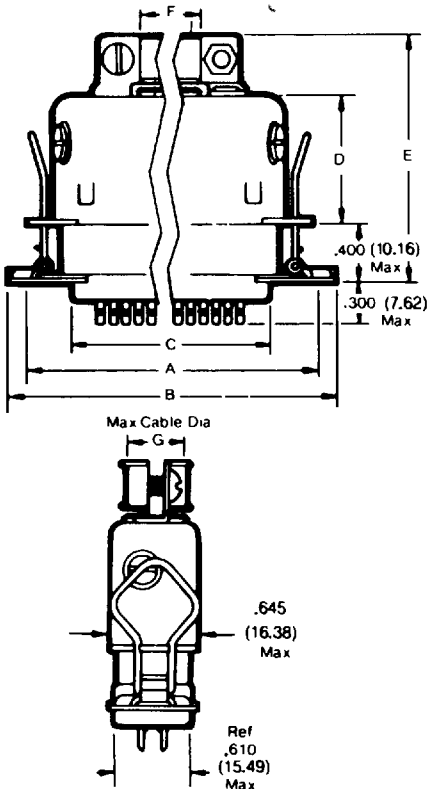
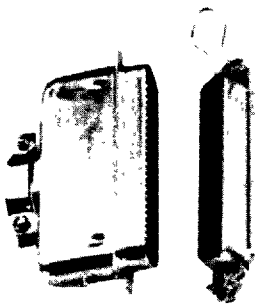


57 series cable-to-panel connectors

side cable entry type



top cable entry type



dimensions

| | 14 Contacts | | 24 Contacts | | 36 Contacts | | 50 Contacts | |
|---|-------------|--------|-------------|--------|-------------|--------|-------------|--------|
| | In. | mm | In. | mm | In. | mm | In. | mm |
| A | 1.417 | 35.992 | 1.842 | 46.787 | 2.352 | 59.741 | 2.947 | 74.854 |
| B | 1.770 | 44.958 | 2.195 | 55.753 | 2.705 | 68.707 | 3.300 | 83.820 |
| C | .910 | 23.114 | 1.335 | 33.909 | 1.845 | 46.863 | 2.440 | 61.976 |
| D | .850 | 21.59 | .830 | 21.08 | .910 | 23.11 | 1.000 | 2.54 |
| E | 1.665 | 42.29 | 1.645 | 41.78 | 1.725 | 43.82 | 1.815 | 46.10 |
| F | .348 | 8.84 | .473 | 12.01 | .648 | 16.46 | .772 | 19.61 |
| G | .348 | 8.84 | .473 | 12.01 | .500 | 12.7 | .500 | 12.7 |

NOTE: All dimensions are reference.

order information

| Contacts | Plugs: Top Cable Entry Part Number | Plugs: Side Cable Entry Part Number | Receptacle Mating Connection With Spring Latches Part Number |
|----------|---------------------------------------|--|--|
| 14 | 57-30140 | 57-50140 | 57-40140 |
| 24 | 57-30240 | 57-50240 | 57-40240 |
| 36 | 57-30360 (screwtype hood) | 57-50360 | 57-40360 |
| 36 | 57-30360-18 (snap on hood) | — | — |
| 36 | — | — | 57-40360-9 (high barrier) |
| 50 | 57-30500 | 57-50500 | 57-40500 |
| 50 | 57-30500-3 (high barrier) | — | 57-40500-4 (high barrier) |

Items in bold print are popular, readily available parts.

general configuration — 57 series solder termination

description

Micro-Ribbon connectors offer a fast, economical and distinctively different method of achieving electrical interconnection.

The heart of the connector is the ribbon contact, selectively plated gold over nickel on a copper alloy base.

With contacts designed to mate easily and positively, the 57 series Micro-Ribbon connector delivers electrically and mechanically sound interconnections time after time.

Exceptionally versatile, 57 series Micro-Ribbon connectors are available in rack and panel, cable to panel, cable to cable and printed circuit types.

features

- Copper alloy contacts, selectively plated gold-over-nickel for excellent current-carrying characteristics.
- UL 94 VO rated diallyl phthalate dielectric per MIL-M-14G Type MDG, for operation at up to 700 volts D.C. (sea level) without shorting or flashover. Resists cracking or chipping and has low moisture absorption.
- Float bushings on receptacles allow .020" radial float, for easy mating.
- Zinc-plated steel outer shell, with clear chromate finish, for corrosion resistance.
- Wide, flat mating surfaces, pressed tightly together by flexing action of both contacts, for electrical continuity.
- Positive mating action that wipes contacts clean, removing film or foreign matter, for low contact resistance.
- Solder cup type contact tails (for easy wire attachment) and pin style tails (for printed circuit board attachment) both are available. A high barrier between contact rows also is available.
- A trapezoidal-shape shell that assures correct polarity.

general specifications

| | |
|-----------------------------|--|
| Current Capacity | 5 amps per contact |
| Voltage Rating | 700 volts D.C. at sea level 200 volts D.C. at 70,000 ft. |
| Operating Temperature | -55°C to +105°C -67°F to +221°F |
| Wire Sizes | Solid: 22-gauge maximum Stranded: 24-gauge maximum |
| Contacts | Selectively plated 20 microinches gold over 50 microinches nickel on a copper alloy base |
| Dielectric | Diallyl phthalate per MIL-M-14G Type MDG |
| Shells | Zinc-plated steel with clear chromate coating; trapezoidal shape for polarization. |

connector deviations (1,000 piece m.o.q.)

| Deviation Number | Deviation Description for 57/157 Series Connectors |
|------------------|--|
| (398) | Connector shells and steel hardware nickel plated |
| (424) | Contacts fully plated, 30 microinches gold over 50 microinches nickel |
| (438) | Gold flashed contacts on mating area, 100 microinches tin lead on tails, 50 microinches min. nickel underplate |
| (441) | Tin plated shells |
| (448) | Contacts selectively plated, 30 microinches min. gold on mating area, 100 microinches tin lead on tails, 50 microinches min. nickel underplate |
| (450) | Contacts selectively plated, 50 microinches min. gold on mating area, 100 microinches tin lead on tails, 50 microinches min. nickel underplate |

NOTE: Not all part numbers are available in all deviations. To verify availability contact the Spectra Strip Division directly, or your local manufacturer's representative or distributor.

connector deviation ordering information

To order a deviation of a catalog miniature-ribbon connector, add one of the listed deviation numbers in parenthesis to the catalog part number. Example: To order 57-10500 with tin plated shells, request 57-10500 (441).

NOTE: Only one deviation number can be applied to a catalog part number at a time.



FILE E64911

FILE LR 45516-14

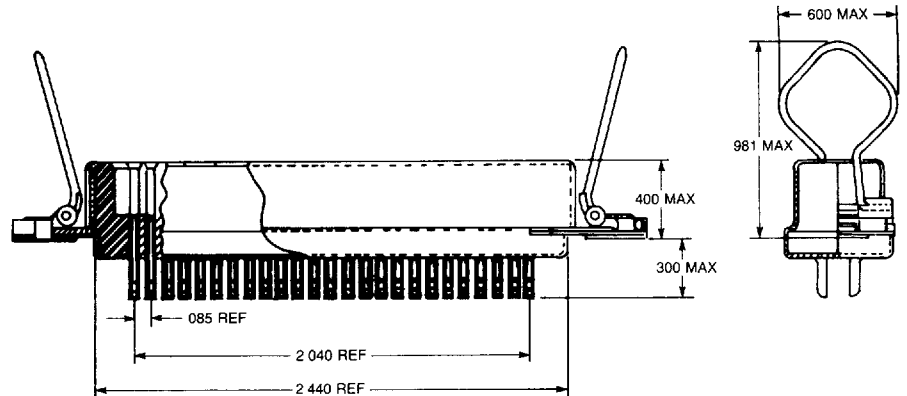
SCSI solder type 50 position receptacle with spring latch

Applications: Feed-through Adapters

order information

Part Number: 57-40500 (441)

NOTE: See page 4 for specifications and order information for this connector.



SCSI overmold cable connectors (IDC)

50 position plug for spring latching

Applications: Adapters, Peripheral Interface and Extended Cables

order information

Part Number: 157-12500-10 (441)

NOTE: See page 15 for specifications and order information for this connector.

