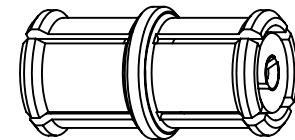
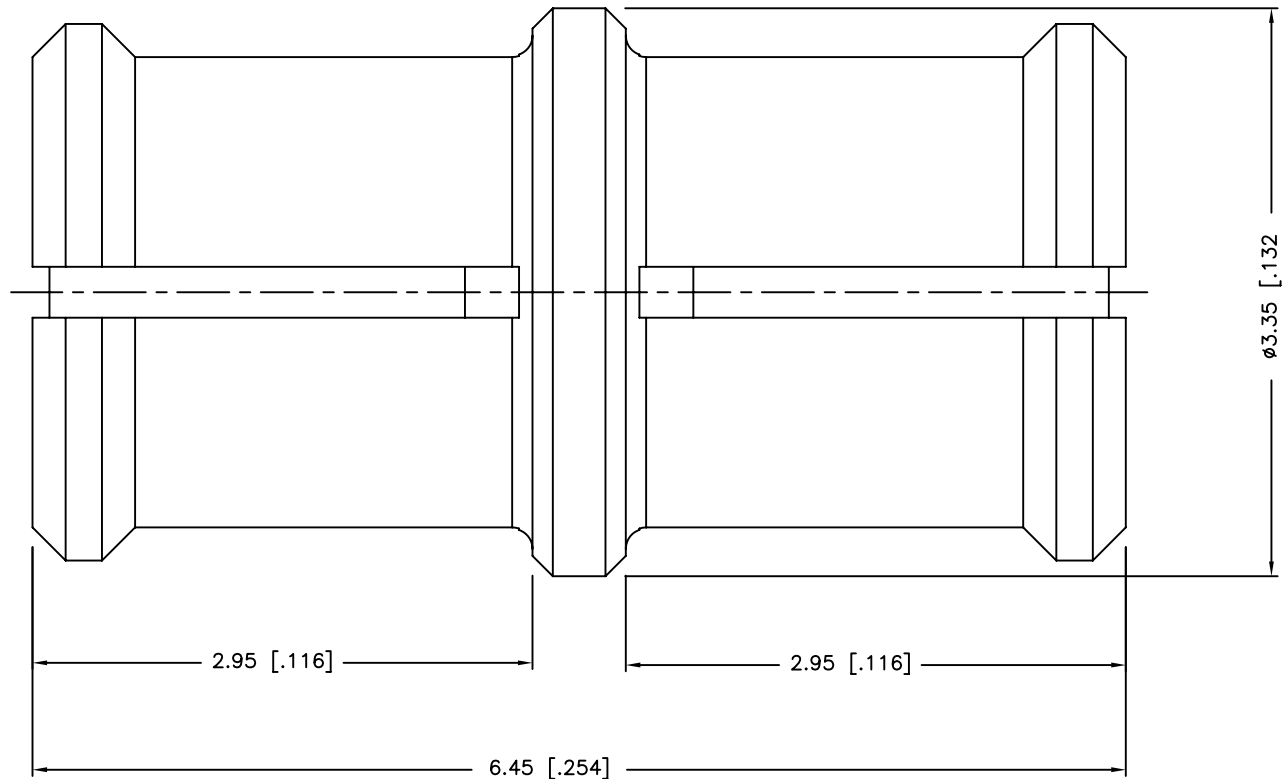


REV.	DATE	ECR NO.	DESCRIPTION
NC	03/23/11	XXXXXX	INITIAL RELEASE



1. FREQUENCY RANGE: DC 0-26.5 GHZ

3	CONTACT PIN	BERYLLIUM COPPER	GOLD	1
2	INSULATOR	PTFE	NATURAL	1
1	BODY	BERYLLIUM COPPER	GOLD	1
DESCRIPTION	MATERIAL	FINISH	QTY	

<small>UNLESS OTHERWISE SPECIFIED DIMENSIONS ARE IN MILLIMETERS. DIMENSIONS IN [] ARE IN INCHES AND FOR CUSTOMER REFERENCE ONLY.</small> <small>UNLESS OTHERWISE SPECIFIED TOLERANCES FOR MILLIMETERS ARE:</small> 0.5 - 8mm ± 0.20mm 8 - 30mm ± 0.40mm 30 - 120mm ± 0.50mm <small>UNLESS OTHERWISE SPECIFIED TOLERANCES FOR INCHES ARE:</small> .020 - .315 = ± 0.007" .315 - 1.180 = ± 0.015" 1.180 - 4.724 = ± 0.020" DO NOT SCALE DRAWING	APPROVALS	DATE
	DRAWN S.LI	03/23/11
	CHECKED	
	ISSUED	
	SHEET 1 OF 1	
CAD FILE	C:/CONNEX/302101.DWG	

<h1>Amphenol Connex</h1>			
PART DESCRIPTION			
SMP BULLET ADAPTOR JACK TO JACK			
PART NO.			
302101			
DWG. NO.	122532RP.DWG	REV. NC	SIZE A SCALE NA