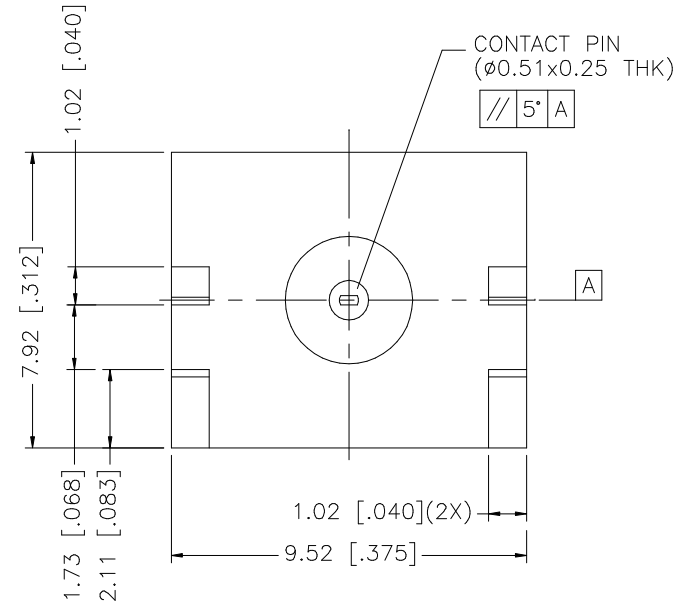
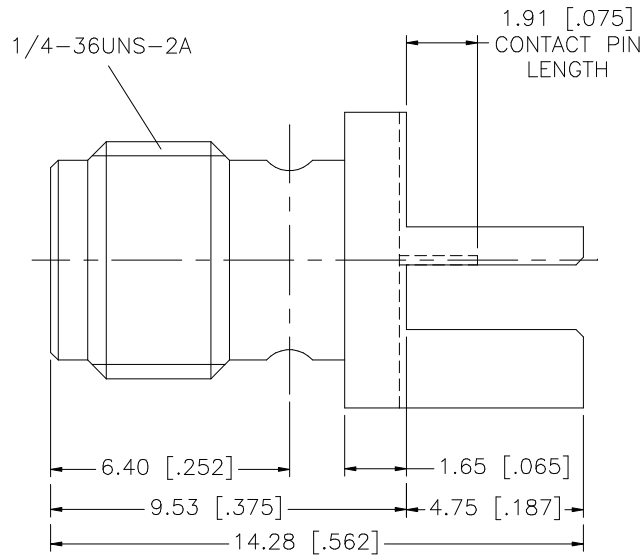


REV.	DATE	DESCRIPTION
A	09/16/03	MODIFY CONTACT PIN LENGTH



NOTE:

1. MAX. BOARD THICKNESS = 1.57mm

8					<small>UNLESS OTHERWISE SPECIFIED DIMENSIONS ARE IN MILLIMETERS. DIMENSIONS IN [ ] ARE IN INCHES AND FOR CUSTOMER REFERENCE ONLY.</small>  <small>UNLESS OTHERWISE SPECIFIED TOLERANCES FOR MILLIMETERS ARE:</small> 0.5 - 8mm ± 0.20mm 8 - 30mm ± 0.40mm 30 - 120mm ± 0.50mm  <small>UNLESS OTHERWISE SPECIFIED TOLERANCES FOR INCHES ARE:</small> .020 - .315 = ± 0.007" .315 - 1.180 = ± 0.015" 1.180 - 4.724 = ± 0.020"	APPROVALS	DATE	<h1 style="color: blue; margin: 0;">Amphenol Connex</h1>				
7						DRAWN	G.R.S.					09/16/03
6						CHECKED			PART DESCRIPTION <h2 style="text-align: center; margin: 0;">SMA END LAUNCH RECEPTACLE JACK (TAB CONTACT)</h2>			
5						ISSUED						
4					SHEET	1 OF 1		PART NO. <h2 style="text-align: center; margin: 0;">132357</h2>				
3	CONTACT PIN	BER. COPPER	GOLD	1	CAD FILE	C:/132/132357.DWG	DWG. NO.					132157.DWG
2	INSULATOR	TEFLON	NATURAL	1	DO NOT SCALE DRAWING							
1	BODY	BRASS	GOLD	1								
	DESCRIPTION	MATERIAL	FINISH	QTY								