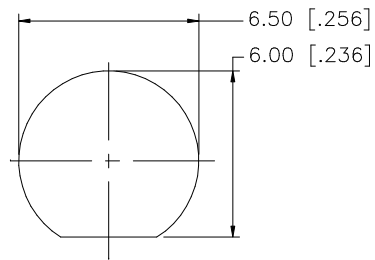
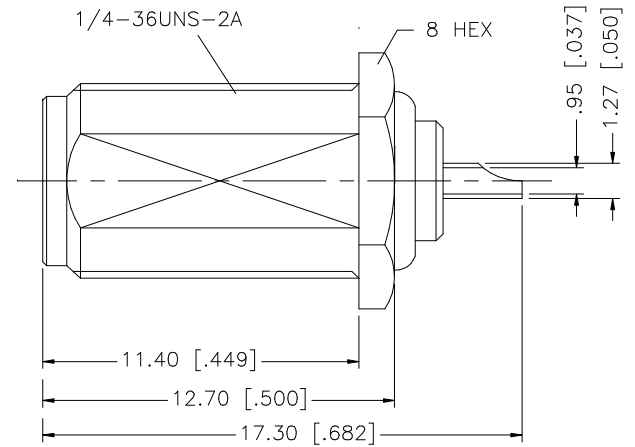
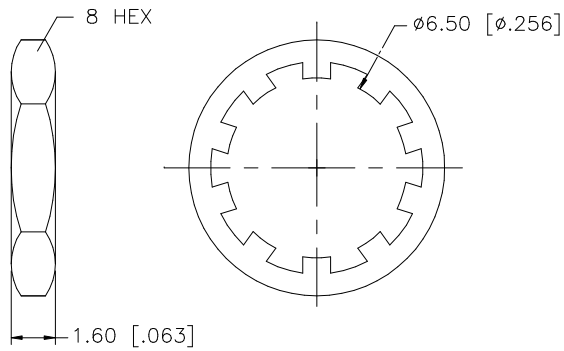


REV.	DATE	DESCRIPTION
A	01/25/04	UPDATE DRAWING FORMAT



RECOMMENDED MOUNTING HOLE



REV.	DATE	DESCRIPTION
A	01/25/04	UPDATE DRAWING FORMAT
8		
7		
6		
5	HEX NUT	BRASS GOLD 1
4	LOCK WASHER	BRASS GOLD 1
3	CONTACT PIN	BER. COPPER GOLD 1
2	INSULATOR	TEFLON NATURAL 1
1	BODY	BRASS GOLD 1
	DESCRIPTION	MATERIAL FINISH QTY

UNLESS OTHERWISE SPECIFIED DIMENSIONS ARE IN MILLIMETERS. DIMENSIONS IN [ ] ARE IN INCHES AND FOR CUSTOMER REFERENCE ONLY.		APPROVALS	DATE	<h1 style="color: blue; text-align: center;">Amphenol Connex</h1> <p style="text-align: center;">SMA BULKHEAD RECEPT. JACK</p> <p style="text-align: center;">PART NO. 132139</p>
UNLESS OTHERWISE SPECIFIED TOLERANCES FOR MILLIMETERS ARE: 0.5 - 8mm ± 0.20mm 8 - 30mm ± 0.40mm 30 - 120mm ± 0.50mm		DRAWN	G.R.S. 01/25/04	
UNLESS OTHERWISE SPECIFIED TOLERANCES FOR INCHES ARE: .020 - .315 = ± 0.007" .315 - 1.180 = ± 0.015" 1.180 - 4.724 = ± 0.020"		CHECKED		
DO NOT SCALE DRAWING		ISSUED		
		SHEET	1 OF 1	
		CAD FILE	C:/132/132139.DWG	DWG. NO. 132139.DWG
				REV. A
				SIZE A
				SCALE NA