

### TECHNICAL DATA

" D " SUBMINIATURE CONNECTORS

**SHELL** Steel .  
finish : Chromated over Zinc - colour : Yellow.  
or tinned

**BODY** Glass filled thermoplastic .  
Flame retardant to UL 94 V-0 .  
Colour : black .

**CONTACTS** Material for sockets : brass  
Material for pins brass  
Finish of contact mating area :  
Gold over Nickel 0.4 Um ( 15 Um\* )

**ELECTRICAL** Voltage rating 500 V Rms to 50Hz .  
Nominal current 7,5 A (size20)  
Voltage proof >1000 V Rms to 50 Hz  
Contact resistance <10 m Ohms .  
Insulator resistance >5000 M Ohms.

**CLIMATIC** Temperature range -55°C +105°C (peaks at 125°C)

**MECHANICAL** Contact retention : after 5 insertions into housing.  
contact must be retained in housing when subjected  
to a 9 pounds (40N) axial pull  
Displacement <0,3 mm

Mating and unmating force size E 30N maxi 3.5N mini  
A 50N maxi 4.5N mini  
B 83N maxi 8.0N mini  
C 123N maxi 11N mini  
D 166N max 14.5N mini

(With or without dimples)

**MARKING** Amphenol - ....(serie number)  
Commercial reference  
Manufacturing date

L 177RR \* \*\* \*

117RR chromated over zinc  
177RR Tinned Shell  
777RR Tinned shell with DIMPLES  
monobloc dielectric

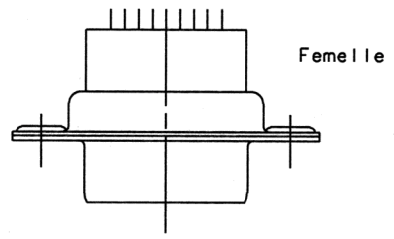
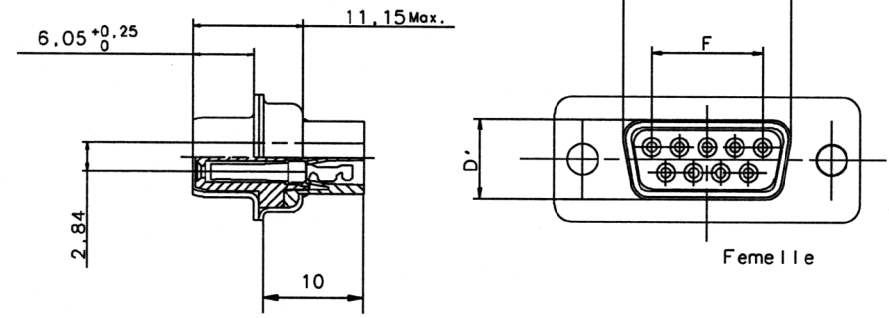
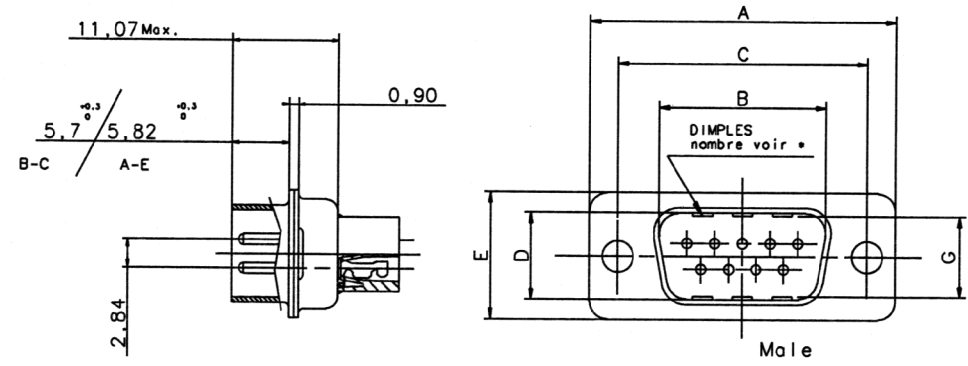
Shell size :  
E-A-B-C-D

Mounting type

Configuration :  
09-15-25-37-50

contact type :

Contact type : S = female  
P = male



taille boîtier	A	B'	B	C	D'	D	E	F ±0.05	Pos	G	*
E	11,07 Max.	11,15 Max.	11,07 Max.	11,15 Max.	11,07 Max.	11,15 Max.	11,07 Max.	11,15 Max.	11,07 Max.	11,15 Max.	11,07 Max.
A	5,7	5,82	5,7	5,82	5,7	5,82	5,7	5,82	5,7	5,82	5,7
B	5,7	5,82	5,7	5,82	5,7	5,82	5,7	5,82	5,7	5,82	5,7
C	5,7	5,82	5,7	5,82	5,7	5,82	5,7	5,82	5,7	5,82	5,7
D	5,7	5,82	5,7	5,82	5,7	5,82	5,7	5,82	5,7	5,82	5,7

177RR-35  
DATE DU TIRAGE

N CLIENT  
N OUTIL  
N ETUDE

Amphenol Socapex  
Usine de Dole

ECHELLE: 1:5

PLAN NOTICE

IND. MODIFICATION DATE

N SERIE 017F

DESIGNATION L177RR \* \*\* \*

COMMUNICATION ET UTILISATION INTERDITES SAUF AUTORISATION