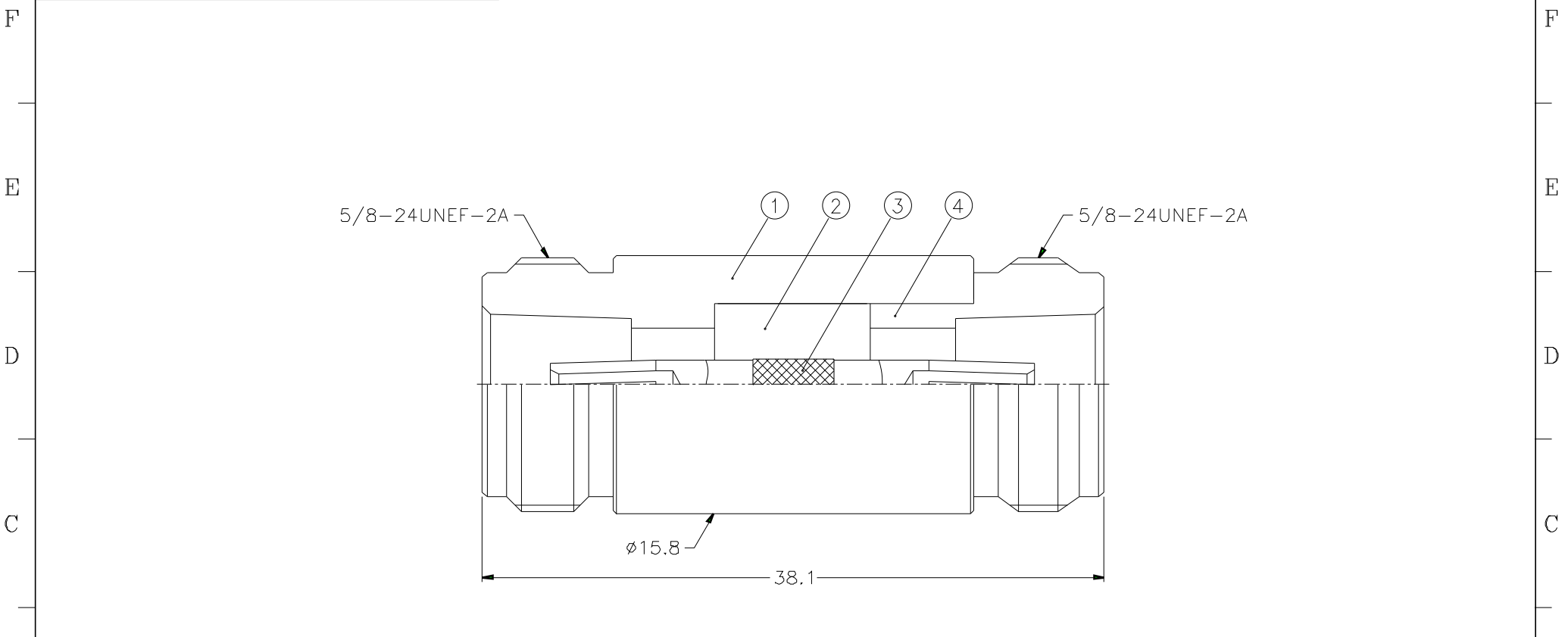


1 2 3 4 5 6 7 8

REVISIONS		
ISS	ZONE	DESCRIPTION\PER REQUEST\DATE



NOTES: FINISH (PLATING THICKNESS IN MICRO-INCHES)
 1. BRASS PER QQ-B-626
 2. NICKEL PL. 100 MIN. THICK OVER COPPER STRIKE
 3. PHOSPHOR BRONZE PER QQ-B-750
 4. GOLD PL. 3 MIN. THICK OVER NICKEL PL. 100 MIN. THICK OVER COPPER STRIKE
 5. TEFLON MIL-P-19468

DIMENSIONS ARE IN MILLIMETERS				PART NO. N7071A1-NT3G-50	
UNLESS OTHERWISE SPECIFIED TOLERANCES				APPROVED	DATE
0.5-6 = ±0.2					10-11-01'
6-30 = ±0.4				CHECKED	DATE
30-120 = ±0.6					10-11-01'
120-315 = ±1				DRAWN	DATE
315-1000 = ±1.6					10-11-01'
1000-2000 = ±2.4				FILE NO.	DRAWING NO.
SCALE	3/1	ISSUE	A		

Amphenol

TITLE
N FEMALE TO FEMALE ADAPTOR

DRAWING NO.
KJ-N7071A1-NT3G-50

ITEM NO.

4	BODY	NOTE 1	NOTE 2	1	N7900-4
3	CONTACT PIN	NOTE 3	NOTE 4	1	N7900-3
2	INSULATOR	NOTE 5	NATURAL	1	N7900-2T-50-B
1	HOUSING	NOTE 1	NOTE 2	1	N7900-1
NO.	DESCRIPTION	MATERIAL	FINISH	Q'TY	DRAWING NO.

1 2 3 4 5 6 7 8