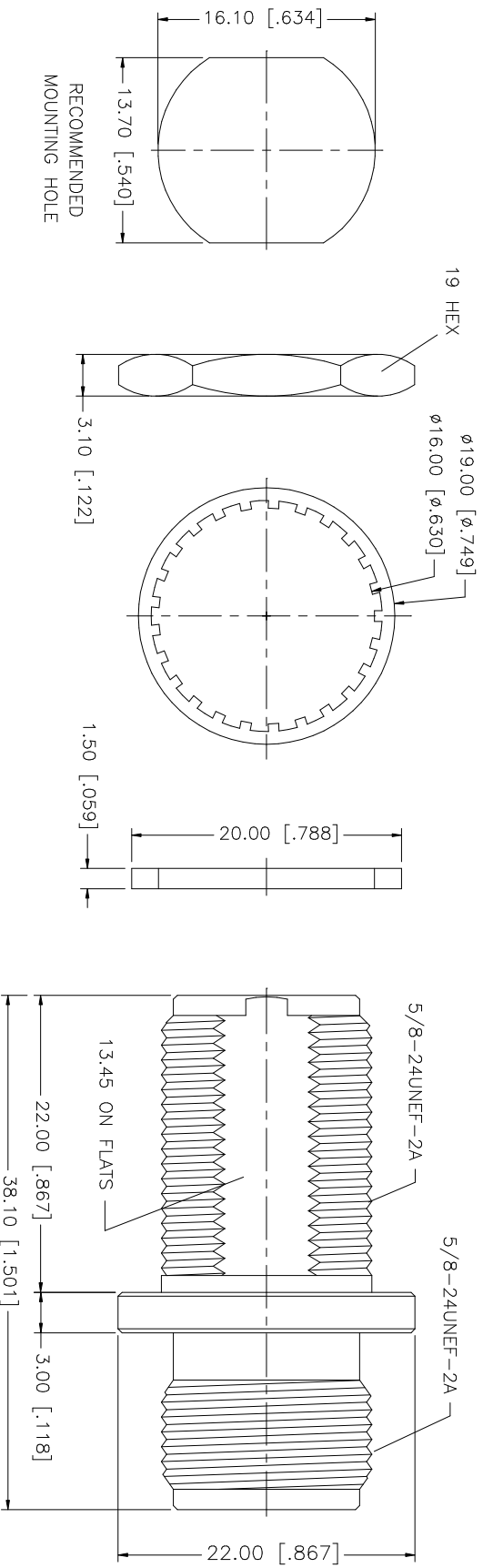


REV.	DATE	DESCRIPTION
NC	02/28/03	INITIAL RELEASE



NOTE:
1. MAX. PANEL THICKNESS = 6.5mm [.255"]

QTY	DESCRIPTION	MATERIAL	FINISH	QTY	DO NOT SCALE DRAWING	APPROVALS	DATE	DWG. NO.	REV.	SIZE	SCALE	
1	INSULATOR	TEFLON	NATURAL	1	.020 - .315 = ± 0.007"	APPROVALS G.R.S. 02/28/03	DATE 02/28/03	172124.DWG	NC	A	NA	
1	HOUSING/BODY	BRASS	NEXCOTE	1	.315 - 1.180 = ± 0.015"							
1	INSULATOR	TEFLON	NATURAL	1	1.180 - 4.724 = ± 0.020"							
1	CONTACT PIN	PHOS. BRONZE	GOLD	1	UNLESS OTHERWISE SPECIFIED DIMENSIONS ARE IN MILLIMETERS. DIMENSIONS IN [] ARE IN INCHES AND FOR CUSTOMER REFERENCE ONLY. TOLERANCES FOR MILLIMETERS ARE: 0.5 - 8mm ± 0.20mm 8 - 30mm ± 0.40mm 30 - 120mm ± 0.50mm							
1	GASKET	SILICONE	RED	1	UNLESS OTHERWISE SPECIFIED DIMENSIONS ARE IN MILLIMETERS. DIMENSIONS IN [] ARE IN INCHES AND FOR CUSTOMER REFERENCE ONLY. TOLERANCES FOR MILLIMETERS ARE: 0.5 - 8mm ± 0.20mm 8 - 30mm ± 0.40mm 30 - 120mm ± 0.50mm							
1	LOCK WASHER	BRASS	NEXCOTE	1								
1	HEX NUT	BRASS	NEXCOTE	1								
8												

Amphenol Connex

N JACK TO JACK BULKHEAD ADAPTER

172124

172124.DWG

C:/172/172124.DWG

DO NOT SCALE DRAWING