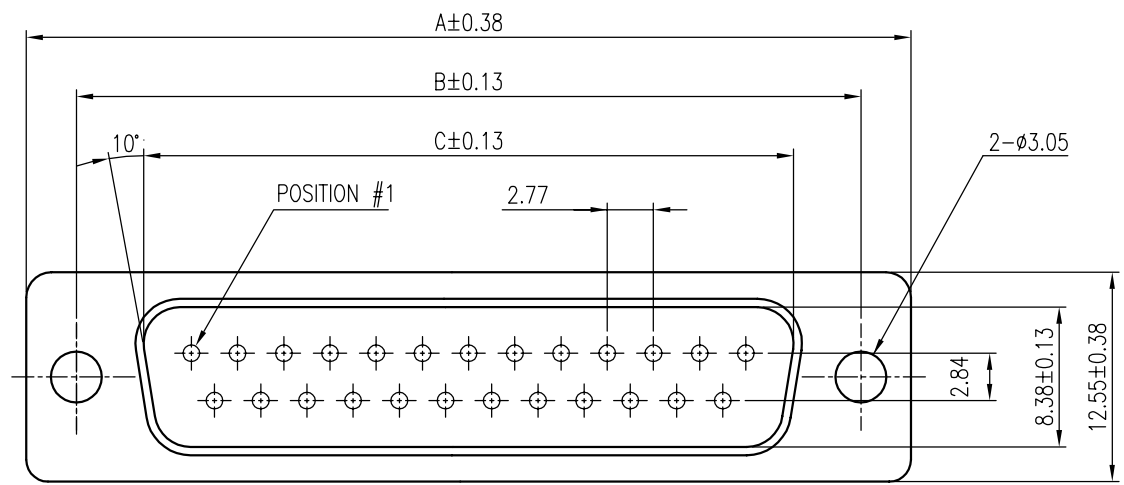


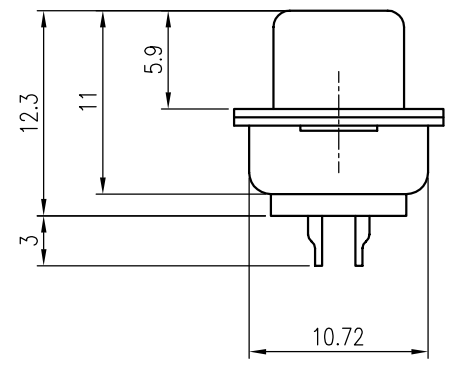
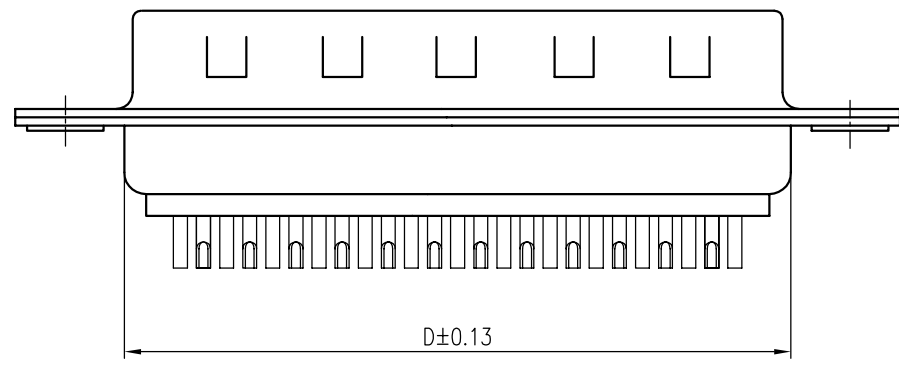
This document is the property of Amphenol Corporation and is delivered on the express condition that it is not to be disclosed, reproduced or used, in whole or in part, for manufacture or sale by anyone other than Amphenol Corporation without its prior consent, and that no right is granted to disclose or to use any information in this document.

CUSTOMER DRAWING ORIGINAL

| SYM | ECN No. | DESCRIPTION | DATE | APPROVED |
|-----|---------|------------------|------------|----------|
| A | | RELEASE FOR RoHS | 09/09/2005 | Henry Ko |



- NOTES:**
1. SHELL: STEEL, SELECTIVE PLATED
 2. CONTACTS: BRASS, SELECTIVE GOLD ON MATING AREA; TIN ON TERMINATION AREA
 3. INSULATOR: PBT, UL 94V-0, COLOR- BLACK
 4. THIS PRODUCT DOESN'T CONTAIN ENVIRONMENTAL HAZARDOUS MATERIALS PER DIRECTIVE 2002/95/EC FOR RoHS.



| TOLERANCE m/m | |
|---------------|-------|
| x. | ±0.30 |
| x.x | ±0.25 |
| x.xx | ±0.15 |
| x.xxx | ±0.08 |
| ANGULAR | ±2° |

UNLESS OTHERWISE SPECIFIED

| PART NUMBERS | NO. OF CONTACTS | DIM. A | DIM. B | DIM. C | DIM. D | APPROVALS | | DATE | TITLE | Amphenol® Amphenol Corporation Amphenol East Asia Limited | | | |
|------------------|-----------------|--------|--------|--------|--------|-------------|--------------------------|----------|--|--|-----------------------|--------------|------------------|
| | | | | | | DRAWN | CHECKED | | | | | | |
| G17S 091X XX0 EU | 9 | 30.84 | 24.99 | 16.92 | 19.28 | Sondra Sang | <input type="checkbox"/> | 09/09/05 | G17S SERIES SOLDER-POT TERMINATION PLUG | SCALE | N.A. | SHEET 1 OF 1 | |
| G17S 151X XX0 EU | 15 | 39.24 | 33.32 | 24.70 | 27.51 | Laura Su | <input type="checkbox"/> | 09/09/05 | | DRAWING NO. | DSUB-G17SXX1XXX0EU-25 | REV. | A |
| G17S 251X XX0 EU | 25 | 53.04 | 47.04 | 38.96 | 41.30 | Alex Lin | <input type="checkbox"/> | 09/09/05 | | SIZE | A4 | PART NO. | G17S XX1X XX0 EU |
| G17S 371X XX0 EU | 37 | 69.32 | 63.50 | 55.42 | 57.30 | | | UNIT | MM | | | | |