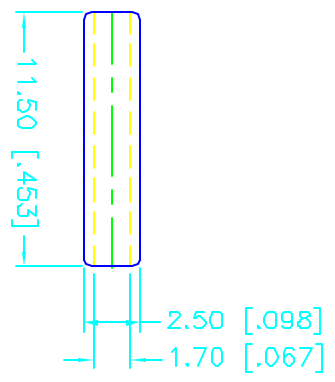
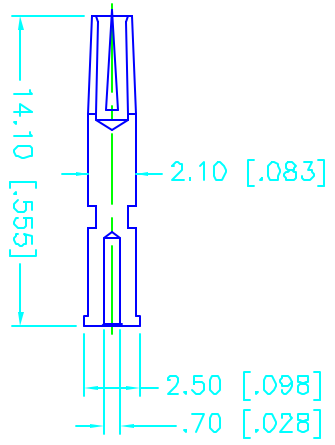
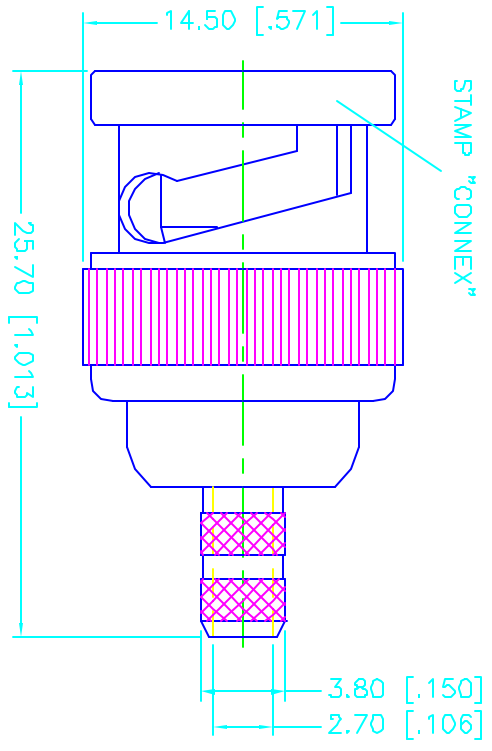
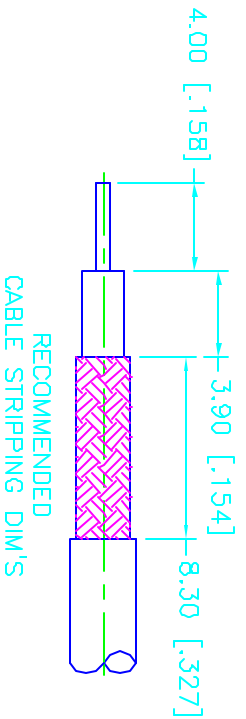
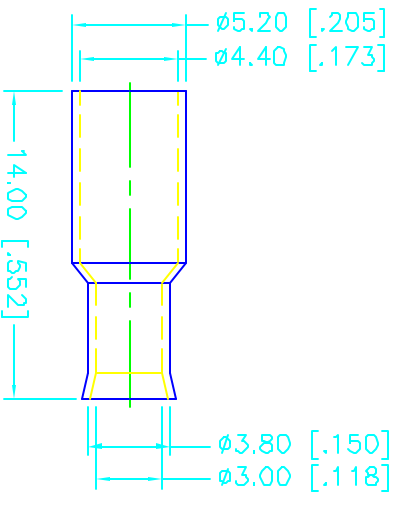


REV.	DATE	DESCRIPTION
NC	01/29/00	INITIAL RELEASE



- CRIMP NOTES:
1. CRIMPED FERRULE HEX CRIMP SIZE .178"
 2. CRIMPED CONTACT PIN HEX CRIMP SIZE .068"



DESCRIPTION	MATERIAL	FINISH	UNLESS OTHERWISE SPECIFIED DIMENSIONS IN [] ARE IN INCHES DIMENSIONS IN [] ARE IN MILLIMETERS FOR CUSTOMER REFERENCE ONLY	APPROVALS	DATE	TITLE	SCALE	PART NO.	SHEET	
1 BODY	BRASS	NICKEL	UNLESS OTHERWISE SPECIFIED TOLERANCES FOR MILLIMETERS ARE: 0.5-6 = ± 0.2 6-30 = ± 0.4 30-120 = ± 0.6 120-315 = ± 1 315-1000 = ± 1.6 1000-2000 = ± 2.4	DRAWN	01/29/00	Connector Corporation BNC CRIMP PLUG - REVERSE POLARIZED (FOR RG-174, 188A, 316/U CABLE)	NA	112132RP	1 OF 1	
2 INSULATOR	TEFLON	NATURAL		CHECKED	G.R.S.					
3 CONTACT PIN	BRASS	GOLD		ISSUED						
4 SLEEVE	DELRIN	NICKEL								
5 FERRULE	BRASS	NICKEL								
6										
7										
8										



112132RP.DWG