

ELVF SERIES PART NUMBERING SCHEME

REV	ECN	APP'D
-	4498	IQ 7/31/01
A	4974	IQ 9/10/02
B	5742	PN 12/28/05

ELVF 4 0

NUMBER OF POSITIONS
2 - 20

E = EARS

COLOR AND PLATING

- 0 = BLACK, TIN (STANDARD)
- G = GREEN, TIN
- 1 = BLACK, SELECTIVE GOLD
- 2 = GREEN, SEL. GOLD

- CONSULT PCD FOR PART NO. AND AVAILABILITY OF FOLLOWING OPTIONS:
- * CUSTOM COLORS
 - * CUSTOM MARKING
 - * CUSTOM KEYING
 - * SELECTIVE CONTACT LOADING
 - * EARS

INSTALLATION RECOMMENDATIONS:

WIRE RANGE: AWG #16-28, STRANDED OR SOLID
 WIRE STRIP LENGTH: .375" (9,52mm)
 TIGHTENING TORQUE: 2.2 LB-IN (,25 N-M)

MATERIALS:

HOUSING: PA 66-6, UL 94 V-0
 CONTACT: COPPER ALLOY, TIN
 OR GOLD FINISH
 SCREW: COPPER ALLOY, NICKEL FINISH
 WIRE CLAMP: COPPER ALLOY, NICKEL FINISH

MAX OPERATING TEMP: 105°C



RATINGS

CURRENT - 12A

VOLTAGE - 300V

U.L. FILE NO. E83421



RATINGS

CURRENT - 12 A

VOLTAGE - 300 V

CSA FILE NO. PENDING

DIN VDE 0627:1986

DIN VDE 0110-1:1989

EN 60947-1:1991

EN 60947-7-1:1992

CURRENT - 12 A

VOLTAGE - 300 V

TUV FILE NO. PENDING

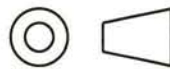
DIMENSIONS

ANSI Y14.5M
 UNITS: INCHES
 Pro/E FILE

TOLERANCES

.XX ±0.15
 .XXX ±0.006
 ANGLES ±2.0°

PROJECTION



Amphenol Pcd

ENGR

C. LASHUA 7/5/01

CHKD

A. PATRIE 12/19/01

APPD

I. QUINN 7/23/01

TITLE

ELVF SERIES
 FRONT/FRONT CAGE CLAMP
 TERMINAL BLOCK: .150 CL

ORIGINAL
 STAMPED
 IN RED

THIS DOCUMENT CONTAINS
 PROPRIETARY INFORMATION WHICH
 IS THE CONFIDENTIAL PROPERTY
 OF AMPHENOL PCD, INC.
 PEABODY, MA, USA

SIZE

A

DWG NO.

ELVF02400

REV

B

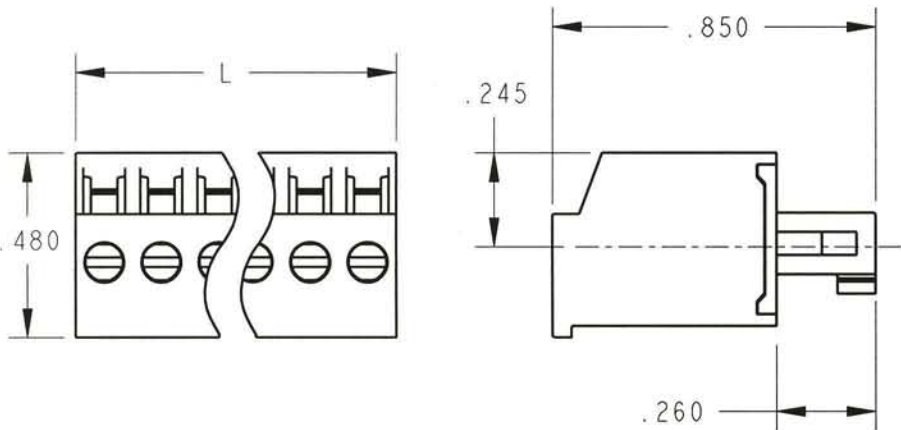
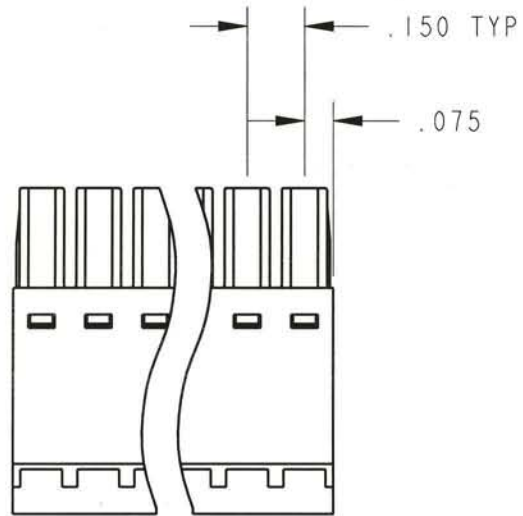
CODE: 58982

SCALE: NONE

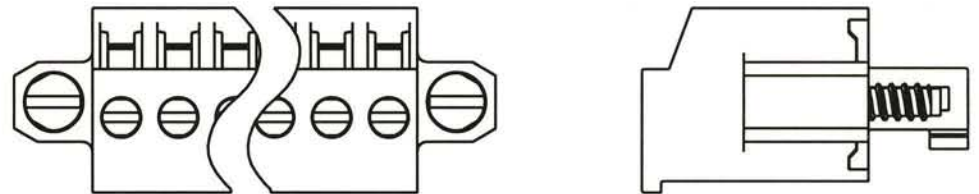
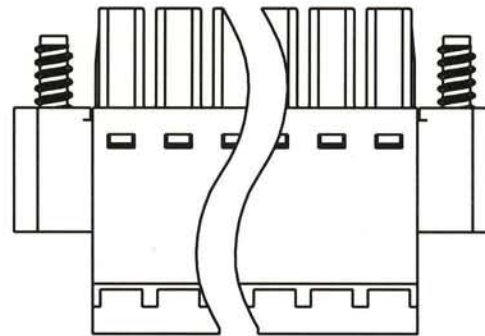
SHEET 1 OF 2

L=NUM OF POS X CL SPACING

ELVF WITHOUT EARS



ELVF WITH EARS



SIZE	DWG NO.	REV
A	ELVF02400	B
CODE: 58982	SCALE: NONE	SHEET 2 OF 2