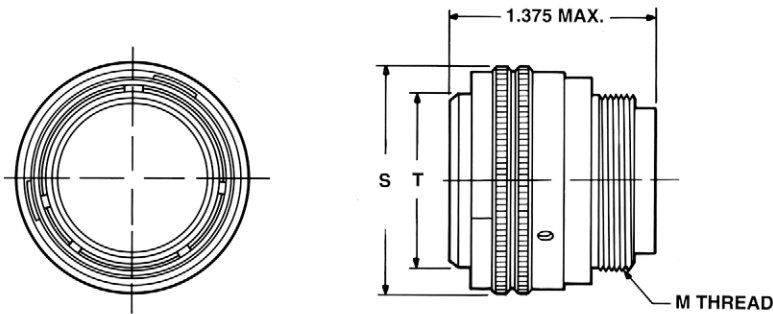
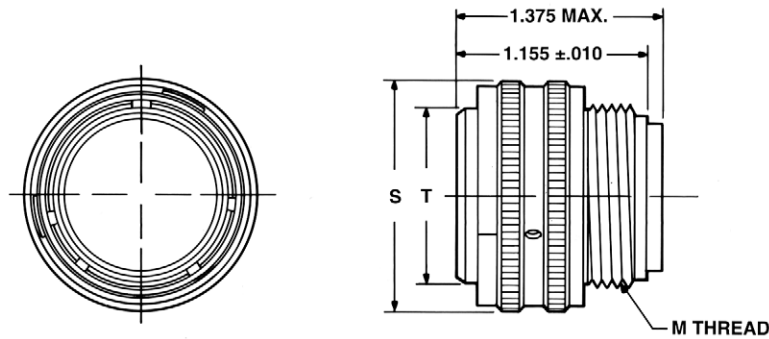


Straight Plug

aluminum/stainless steel
bayonet coupling



STAINLESS STEEL
Pyle ZZW-RC-10XX* Series
MS24266EXXBXX*
Military Class E



ALUMINUM
Pyle ZZW-AC-10XX* Series
MS24266RXXBXX*
Military Class R

* To complete order number, see how to order, page 7.

| Shell Size | Cable Support Thread M | | Aluminum Connector Weight (lbs.) max including Contacts | | Coupling Nut Dia S Max. | | Shell Dia. T +.000 -.005 |
|------------|------------------------|------------------------|---|---------------|-------------------------|-------|--------------------------------|
| | Steel NS-2A | Alum. UNEF-2A Modified | Pin Insert | Socket Insert | Steel | Alum. | |
| 08** | NA | .437-28 | .030 | .031 | NA | .762 | .424 |
| 10 | .563-36 | .562-24 | .044 | .045 | .848 | .904 | .526 |
| 12 | .733-36 | .750-20 | .063 | .064 | 1.018 | 1.076 | .696 |
| 14 | .803-36 | .812-20 | .074 | .076 | 1.087 | 1.122 | .765 |
| 16 | .930-36 | .937-20 | .091 | .094 | 1.214 | 1.264 | .892 |
| 18 | 1.036-36 | 1.062-18 | .110 | .112 | 1.320 | 1.373 | .998 |
| 20 | 1.161-36 | 1.187-18 | .133 | .136 | 1.445 | 1.503 | 1.123 |
| 22 | 1.286-36 | 1.312-18 | .154 | .160 | 1.570 | 1.623 | 1.248 |
| 24 | 1.411-36 | 1.437-18 | .184 | .188 | 1.695 | 1.752 | 1.373 |
| 28 | NA | NA | NA | NA | NA | NA | NA |

NA designates not available. ** Not available in Stainless Steel.
All dimensions for reference only.