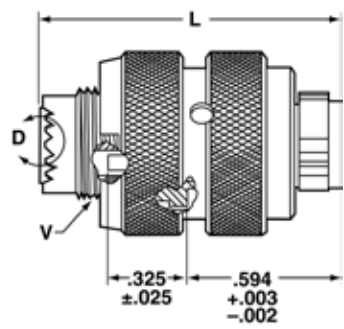


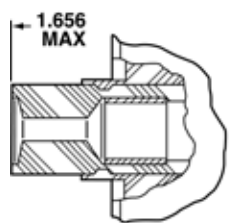
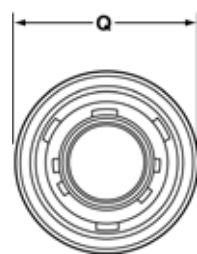
SJT06RT/SJTG06RT – Crimp

Straight Plug/Straight Plug (with grounding fingers)

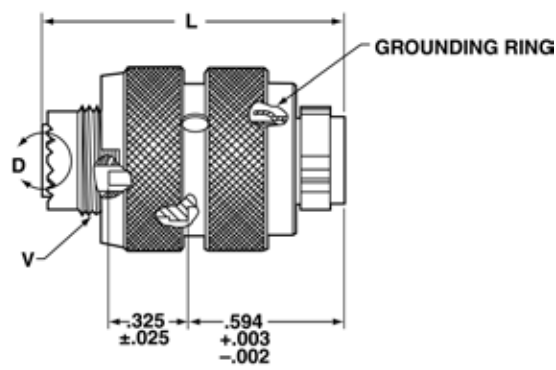
PART #	Connector Type	Shell Style	Service Class	Shell Size & Insert Arrg	Contact Type	Alternate Positions	Special Variations
*To complete, see how to order pages 76-77.	SJT	06	RT	X-X	X	X	(XXX)
	SJTG	06	RT	X-X	X	X	(XXX)



***SJT06RT**



VIEW D ENLARGED FOR SIZE 8 COAXIAL USE ONLY



***SJTG06RT**

Shell Size	L Max	Q Dia. Max.	VThread	
			Class 2A UNEF (Plated)	Modified Major Dia.
8	1.219	.734	.4375-28	.421 – .417
10	1.219	.844	.5625-24	.542 – .538
12	1.219	1.016	.6875-24	.667 – .663
14	1.219	1.141	.8125-20	.791 – .787
16	1.219	1.265	.9375-20	.916 – .912
18	1.219	1.391	1.0625-18	1.034 – 1.030
20	1.219	1.500	1.1875-18	1.158 – 1.154
22	1.219	1.625	1.3125-18	1.283 – 1.279
24	1.258	1.750	1.4375-18	1.408 – 1.404

All dimensions for reference only.