

Amphenol

Circular Interconnects

MIL-C-38999 Series III Tri-Start Series Threaded Coupled Crimp Circular Connectors

Features

- Metal & Composite shells available
- Composite up to 70% lighter than metal
- Durability – up to 1500 cycles
- EMI Shielded Min 65dB @ 10GHz
- 100% Scoop-proof
- ESD protected
- Anti-Decoupling Device

Specifications

- Operating Temperature – -55°C up to 200°C
- Current Rating**
- Contact Size 20 – 7.5A
- Contact Size 16 – 13A
- Voltage Rating (sea level)**
- Service Rating I – 600VAC(rms)
- Service Rating II – 900VAC(rms)

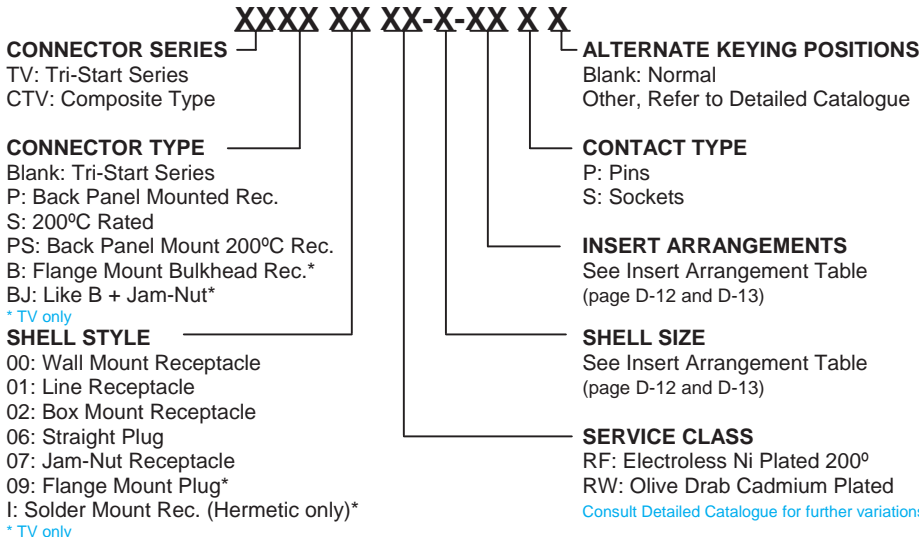
Related Information

- Detailed catalogue – 12-092-10
- Shell sizes – 9, Insert arrangements – 58,
- Circuit sizes – 2 to 128
- Solder, PCB, Wire Wrap, Coax, Fiber & Filter optional

Tooling

- Crimp Tool – M22520/1-01
- Positioner – M22520/1-04
- Insert/Remove (Plastic) – M81969/14-03 (Contact 16)
- Insert/Remove (Plastic) – M81969/14-10 (Contact 20)

Part Number System: (refer to Part Number Make-up for assistance – opposite)



* TV only
For Black Anodized finish or Cadmium-free Zinc Cobalt plating consult representative
Marine Nickel Aluminum Bronze for Naval Applications available upon request

TV Accessories – Cable Clamp

Part Number System:	Finish (-XX9 standard)	Diagram
10-595103-XXX	Chromate Treat -XX0	
SHELL SIZE	Anodic Coating -XX5	
9/11/13/15/17/19/21/23/25	Cadmium Plated Nickel Base -XX7	
FINISH	Olive Drab, Cadmium, Nickel Base -XX9	
See adjacent table	Electroless Nickel -XXG	

TV Accessories – Heat Shrinkable Backshells (shielded)

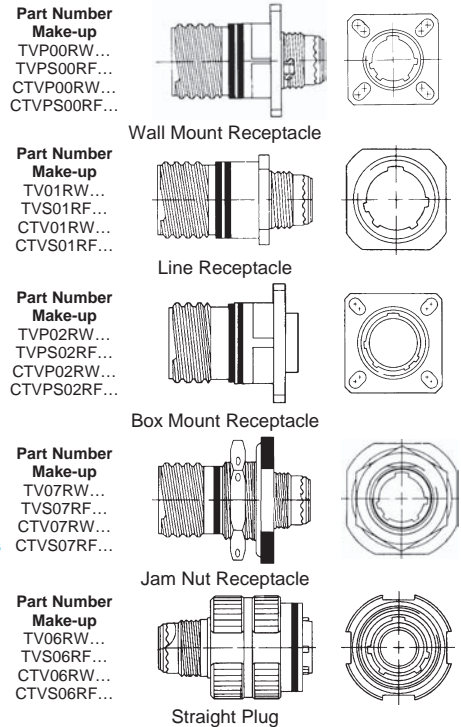
Part Number:	Shell Size	Finish	Type	Backshell Configuration (-X)			Diagram
				-1	-2	-3	
ABK B-WAR-X	9	Olive Drab Cadmium	Shielded	Straight	45°	Right Angle	
ABK B-WBR-X	11						
ABK B-WCR-X	13						
ABK B-WDR-X	15						
ABK B-WER-X	17						
ABK B-WFR-X	19						
ABK B-WGR-X	21						
ABK B-WHR-X	23						
ABK B-WJR-X	25						

Alternatives: Unshielded Replace R with U, Electroless Nickel replace W with F

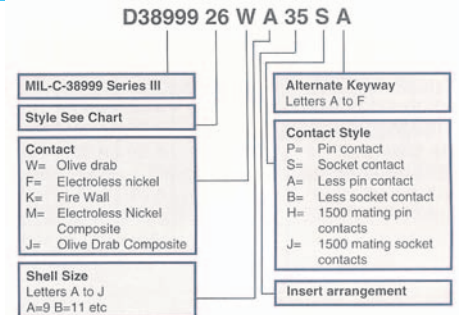
TV Accessories - Caps

Shell Size	Part Numbers:			
	Cap & Chain with Plug Ring for Plugs	Chain length	Cap & Chain with Receptacle Ring for Rec.	Chain length
9	10-553998-099	127mm + Ring	10-553120-099	88.9mm + Ring
11	10-553998-119		10-553120-119	
13	10-553998-139		10-553120-139	
15	10-553998-159		10-553120-159	
17	10-553998-179		10-553120-179	
19	10-553998-199		10-553120-199	
21	10-553998-219		10-553120-219	
23	10-553998-239		10-553120-239	
25	10-553998-259	10-553120-259		
Diagram				

Connectors individually packaged with crimp contacts (bulk contacts available) and insert/extract tool.
ASF/LTD/AAO



MS Part Numbering System:



Style Chart Series 3

Style	TV	D38999	BS Series 3	JN1034
Back wall mount receptacle	(S) P00	20	C6170	A
Jam nut	(S) 07	24	C6177	B
Back box receptacle	(S) P02	-	-	F
Grounded plug	(S) 06	26	C6176	G
Lanyard release	FBR	31	-	E

Contacts Variations:

