

Receptacle Crimp



Specifications :

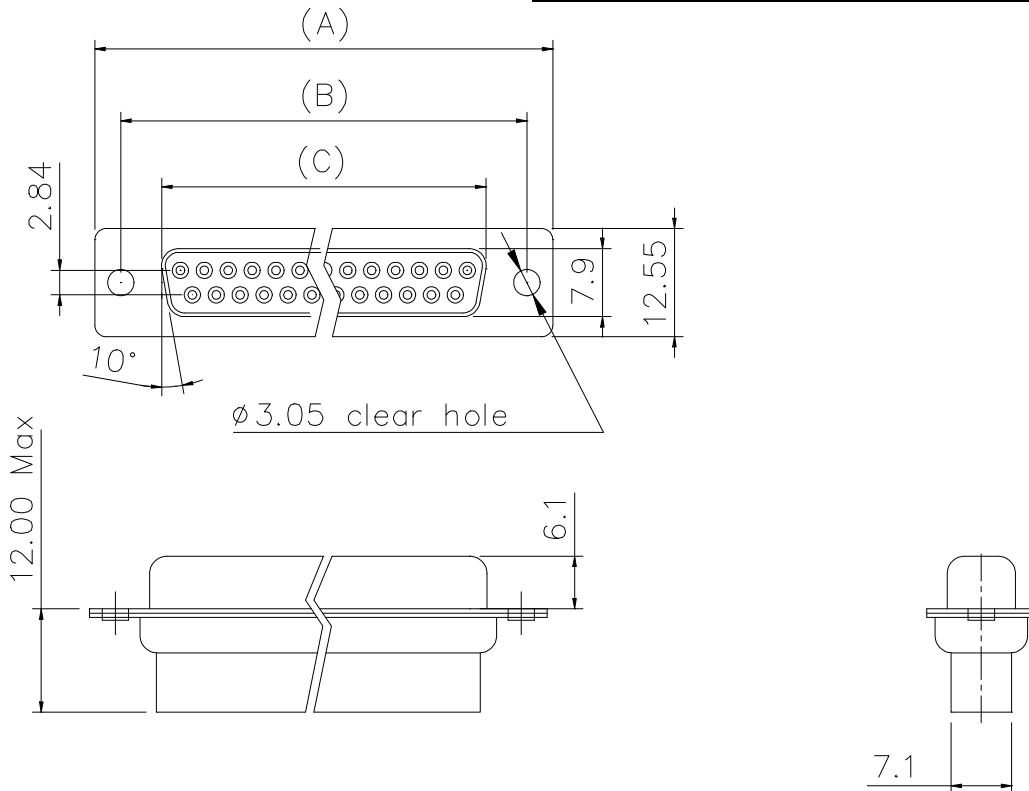
- Contact Resistance : 20 m Ω Max
- Insulator Resistance : 1000 M Ω Min at 500V DC
- Current Rating: 3A
- Dielectric Withstanding Voltage : 1000V AC for 1 minute
- Operating Temperature : -55 $^{\circ}$ c to +105 $^{\circ}$ c

Materials :

- Housing : Glass-filled thermoplastic, UL94V-0
- Shell : Steel, Tin plated

Dimensions :

Nb of Contacts	A	B	C
9	30,89	24,99	16,33
15	39,10	33,32	24,66
25	53,09	47,04	38,38
37	69,40	63,50	54,84



Part Numbers :

Nb of Contacts	Part Number
9	L177RRE09S
15	L177RRA15S
25	L177RRB25S
37	L177RRC37S

