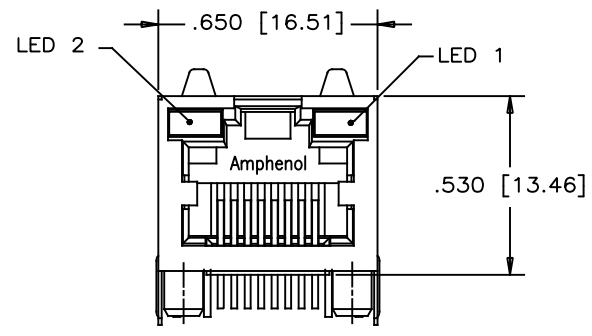
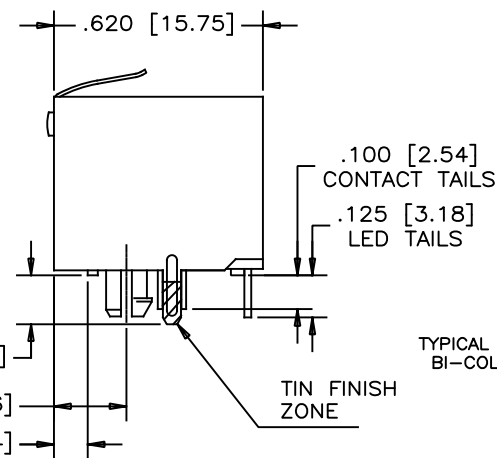


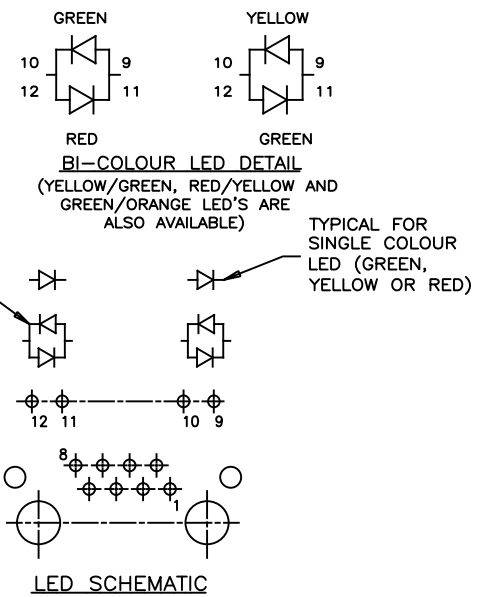
REVISIONS			
REV	DESCRIPTION, ECN, EAR NO.	DATE	APP'D
C	FIX DRAWING ERRORS	OCT09/17	L.CHAN
D	FIX DRAWING ERRORS	JUN19/18	L.CHAN
E	PROPOSAL ONLY	SEP26/19	L.CHAN



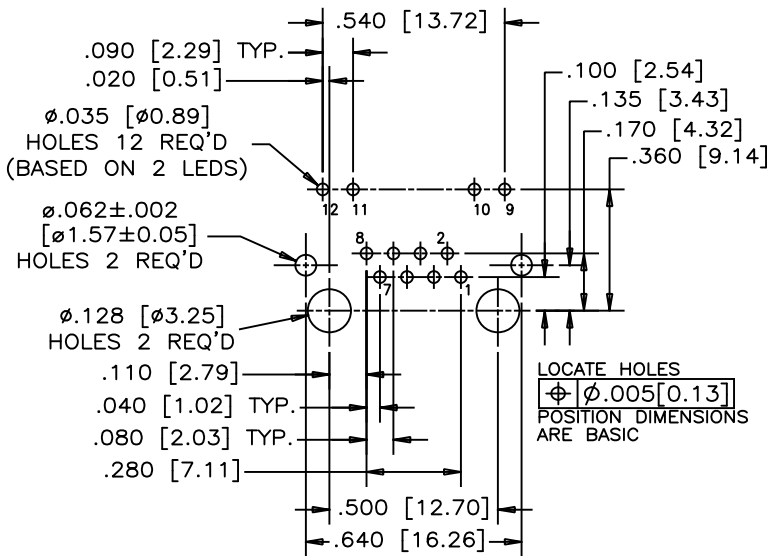
FRONT VIEW



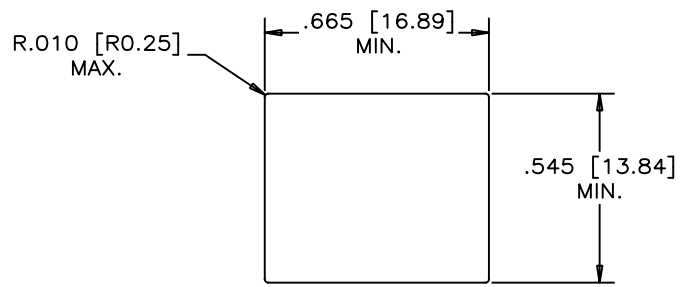
SIDE VIEW



LED SCHEMATIC



RECOMMENDED P.C.B. LAYOUT
(COMPONENT SIDE OF BOARD)



RECOMMENDED PANEL CUTOUT



MATERIALS:
 PLASTIC HOUSING: HIGH TEMPERATURE THERMOPLASTIC
 FLAMMABILITY RATING UL 94V-0

CONTACTS: PHOSPHOR BRONZE
 PLATING: GOLD PLATING ON MATING SURFACE.
 [SEE PART NUMBER FOR THICKNESS]
 50 μ" [1.27 MICRONS]
 MIN. NICKEL UNDERPLATE
 100 μ" [2.54 MICRONS]
 MIN. MATTE TIN ON CONTACT TAILS.

SHIELD: STAINLESS STEEL WITH TIN FINISH ON SOLDER TAIL

AMPHENOL PART NUMBER: RJHSE-X38X

GOLD PLATING

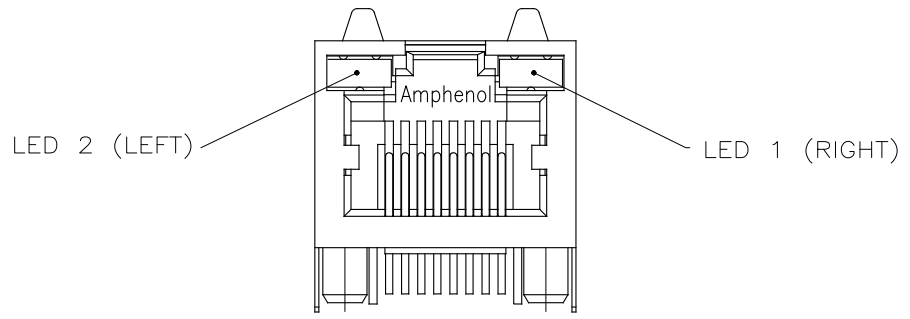
E=RJ45 FLAT CONTACT 6u"
 G=RJ45 FLAT CONTACT 15u"
 J=RJ45 FLAT CONTACT 30u"
 5=RJ45 FLAT CONTACT 50u"

REFER TO LED OPTIONS DRAWING FOR ORDERING CODES

UNLESS SPECIFIED OTHERWISE		DRAWN Hanson.C DATE MAR15/17	Amphenol Canada Corp.	
PRIMARY UNITS INCH	CHECKED LAWRENCE C DATE MAR15/17	Commercial Products		
SECONDARY MILLIMETER	M.E. APP'D	TITLE		
REFERENCE IN PARENTHESES	Q.A. APP'D	SINGLE-PORT HIGH SPEED RJ45		
GENERAL TOLERANCES	DWG APPR.	MODULAR JACK, WITH LEDS, 8 POS.		
1 DECIMAL PLACE ±0.025	ENG. REL. NO.	8 CONTACTS, SHIELD-RoHS COMPLIANT		
2 DECIMAL PLACES ±0.020	REF.	DWG. NO.	P-RJHSE-X38X	
3 DECIMAL PLACES ±0.015	THIRD ANGLE PROJECTION	DO NOT SCALE DRAWING	REV E	
ANGULAR DEGREES ±1.0°	CODE ID NO. 03554 DWG SIZE: C SCALE: N/A		SHEET 1 OF 1	

THIS DOCUMENT CONTAINS PROPRIETARY INFORMATION AND SUCH INFORMATION MAY NOT BE DISCLOSED TO OTHERS FOR ANY PURPOSE OR USED FOR MANUFACTURING PURPOSES WITHOUT WRITTEN PERMISSION FROM AMPHENOL CANADA CORP.

REV	DESCRIPTION, ECN, EAR NO.	DATE	APP'D
F	UPDATE SPEC	JUL06/18	L.CHAN
G	UPDATE SPEC	NOV19/18	L.CHAN
H	UPDATE SPEC	JAN29/19	L.CHAN



TYPICAL FOR SINGLE & MULTI-PORT

EXAMPLE:

PART NUMBER RJHSE-538X

LED COLOR CODE



LED SPECIFICATIONS:
 FORWARD VOLTAGE: 2.1 VOLTS TYP.
 FORWARD VOLTAGE: 2.9 VOLTS FOR WHITE
 FORWARD VOLTAGE: 3.1 VOLTS FOR BLUE
 REVERSE VOLTAGE: 5.0 VOLTS MIN.
 LUMINOUS INTENSITY:
 18.6 mcd MIN. (AT If=20mA) TYP.
 480 mcd MIN. (AT If=5mA) FOR WHITE
 110 mcd MIN. (AT If=20mA) FOR BLUE
 OPERATING TEMPERATURE: -55° TO 85° C
 LEAD SOLDERING TEMPERATURE: 260° C
 (5 SEC, 1/16" FROM CASE)
 PLATING ON TAILS: TIN OR TIN/COPPER
 ALLOY OVER SILVER

CODE	LED 2 (LEFT)	LED 1 (RIGHT)	CODE	LED 2 (LEFT)	LED 1 (RIGHT)	CODE	LED 2 (LEFT)	LED 1 (RIGHT)
0	BLOCKED	BLOCKED	9	GREEN	BLOCKED	J	BiC RD/GR	YELLOW
1	YELLOW	GREEN	A	BiC GR/YE	BiC GR/YE	K	YELLOW	BiC GR/OR
2	BLOCKED	GREEN	B	BiC RD/GR	BiC RD/GR	L	BiC GR/YE	RED
3	YELLOW	BLOCKED	C	BiC RD/GR	BiC GR/YE	M	RED	YELLOW
4	GREEN	YELLOW	D	GREEN	BiC GR/YE	N	BiC GR/RD	BiC GR/YE
5	GREEN	GREEN	E	YELLOW	BiC GR/YE	P	GREEN	BiC RD/GR
6	YELLOW	YELLOW	F	BiC GR/YE	YELLOW	R	BiC GR/OR	GREEN
7	RED	GREEN	G	BiC GR/OR	BiC GR/OR	T	RED	RED
8	GREEN	RED	H	BiC GR/YE	GREEN	V	BiC RD/GR	GREEN
						W	ADDITIONAL	OPTIONS

PRIMARY COLOR FOR BI-COLOR
 LEDS IN STANDARD ANODE/
 CATHODE CONFIGURATION IS:
 RED-GREEN= RED
 RED-YELLOW= RED
 GREEN-YELLOW= GREEN
 GREEN-ORANGE= GREEN

LEGEND
 BiC=BI-COLOR LED
 LOWC=LOW CURRENT LED
 YE=YELLOW
 GR=GREEN
 RD=RED
 OR=ORANGE

EXAMPLE OF ADDITIONAL LED OPTIONS:

PART NUMBER RJHSE-538W-01Y



ADDITIONAL LED COLOR CODE
 DENOTES ADDITIONAL LED OPTIONS TO BE USED

CODE	LED 2 (LEFT)	LED 1 (RIGHT)	CODE	LED 2 (LEFT)	LED 1 (RIGHT)	CODE	LED 2 (LEFT)	LED 1 (RIGHT)
0	DO NOT USE		F	GREEN	BiC GR/OR	A	LOWC YE	LOWC YE
1	RED	BLOCKED	R	BiC GR/RD	BiC GR/RD	B	LOWC YE	LOWC GR
2	BiC GR/OR	YELLOW	G	GREEN	ORANGE	C	LOWC GR	LOWC YE
3	YELLOW	RED	H	BiC OR/GR	BiC OR/GR	D	LOWC GR	LOWC GR
4	BLOCKED	RED	J	BiC YE/GR	BiC YE/GR	M	LOWC RD	LOWC YE
5	BLOCKED	YELLOW	K	BLOCKED	WHITE			
6	RED	BiC RD/GR	L	GREEN	BiC YE/GR			
7	BLOCKED	BiC RD/GR	N	BLUE	RED			
8	BiC RD/GR	BLOCKED	P	BLOCKED	BiC GR/YE			
9	BiC GR/YE	BLOCKED	T	BLOCKED	BiC YE/GR			
E	BiC GR/YE	BiC GR/RD						

NOTE:
 THE TWO DIGITS PRECEDING THE
 ADDITIONAL LED CODE MUST BE
 USED IN THE PART NUMBER, WHEN
 ORDERING ANY OF THE ADDITIONAL
 LED OPTIONS.

UNLESS SPECIFIED OTHERWISE	DRAWN K. LAMBIE	SEP21/04
PRIMARY UNITS INCHES	CHECKED	
SECONDARY MILLIMETERS	M.E. APP'D	
REFERENCE IN PARENTHESES	Q.A. APP'D	
GENERAL TOLERANCES	DWG APP'D	
1 DECIMAL PLACE ±0.025	ENG. REL. NO.	
2 DECIMAL PLACES ±0.02	REF.	
3 DECIMAL PLACES ±0.015	THIRD ANGLE PROJECTION	
ANGULAR DEGREES ±1°	DO NOT SCALE DRAWING	

Amphenol Canada Corp.
 Commercial Products

LED OPTIONS FOR RJHSE, SINGLE OR MULTI-PORT CONNECTORS
 - RoHS COMPLIANT

DWG NO. P-RJHSE-LEDS

REV H

CODE ID NO. 03554 DWG SIZE C SCALE NA SHEET 1 OF 1