

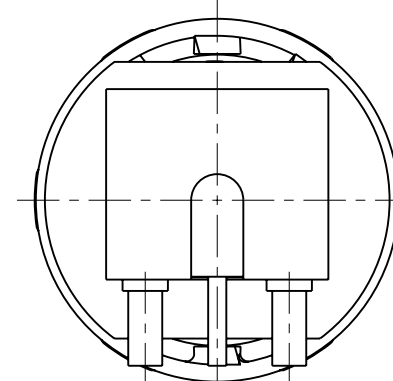
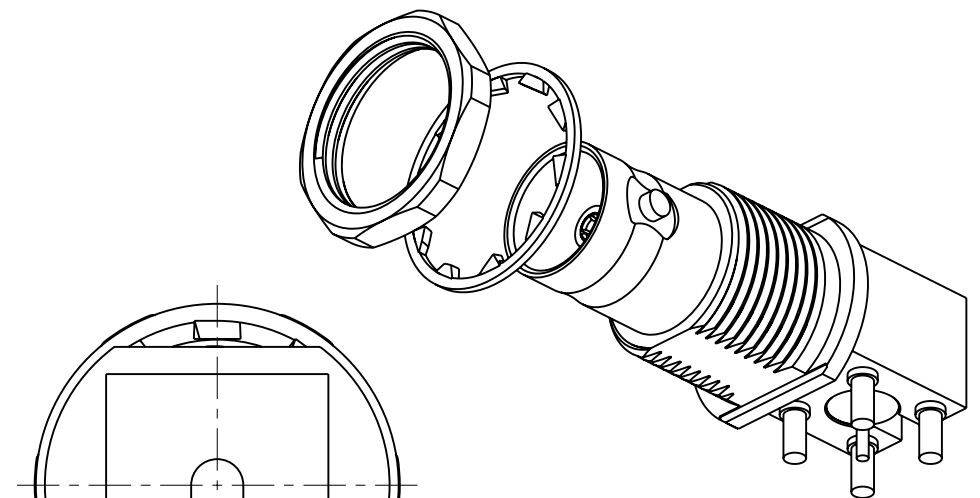
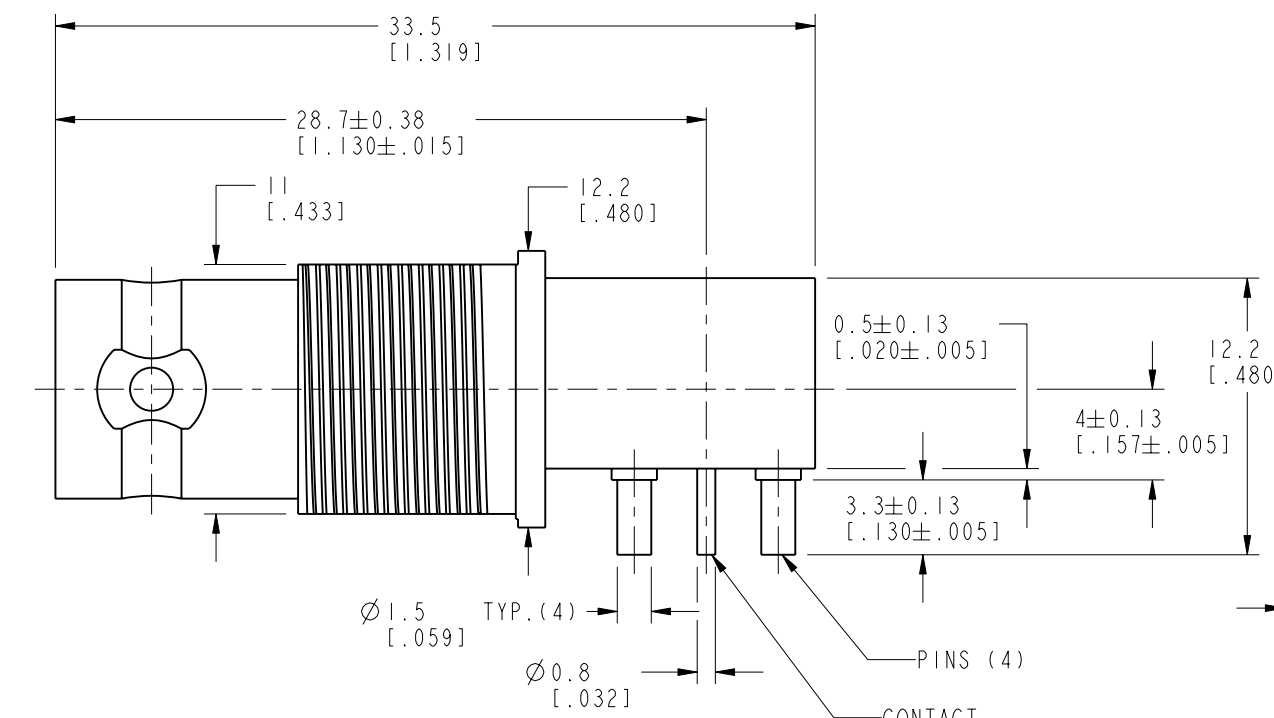
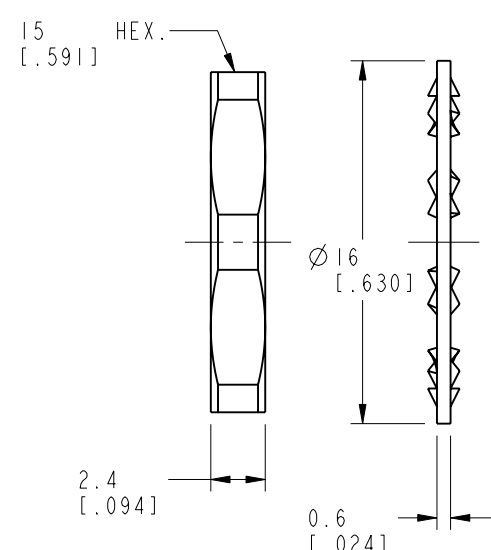
NOTES:

1. MATERIALS AND FINISHES:  
 BODY - BRASS, NICKEL PLATING  
 CONTACT - PHOSPHOR BRONZE, GOLD PLATING  
 RING, HEX NUT - BRASS, NICKEL PLATING  
 LOCKWASHER - PHOSPHOR BRONZE, NICKEL PLATING  
 PINS (4) - BRASS, GOLD PLATING  
 INSULATOR - PTFE
2. ELECTRICAL:  
 A. IMPEDANCE: 75 OHM  
 B. FREQUENCY RANGE: DC - 3 GHz  
 C. DIELECTRIC WITHSTANDING VOLTAGE: 1500 VRMS, MIN.
3. MECHANICAL:  
 A. DURABILITY: 500 CYCLES MIN.  
 B. TEMPERATURE RANGE: -65° C TO +165° C
4. PACKAGING:  
 A. QUANTITY: SINGLE PACK  
 B. MARKING: BAG TO BE MARKED  
 "AMPHENOL RF, 31-70221, AND DATE CODE"
5. DO NOT SCALE THIS DRAWING

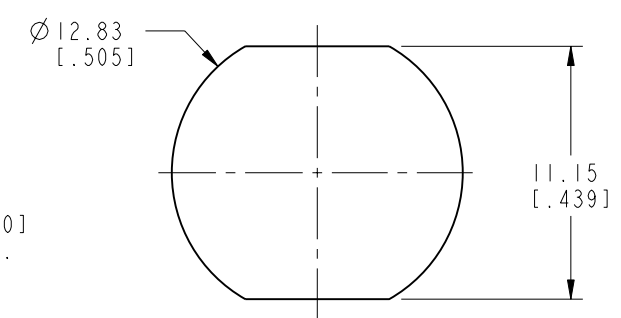
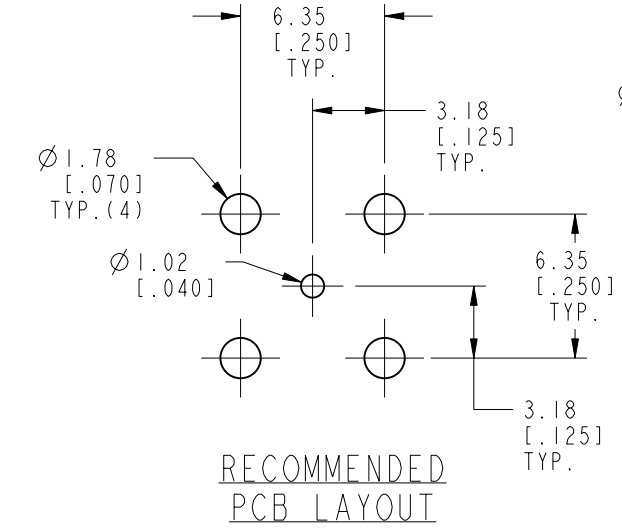
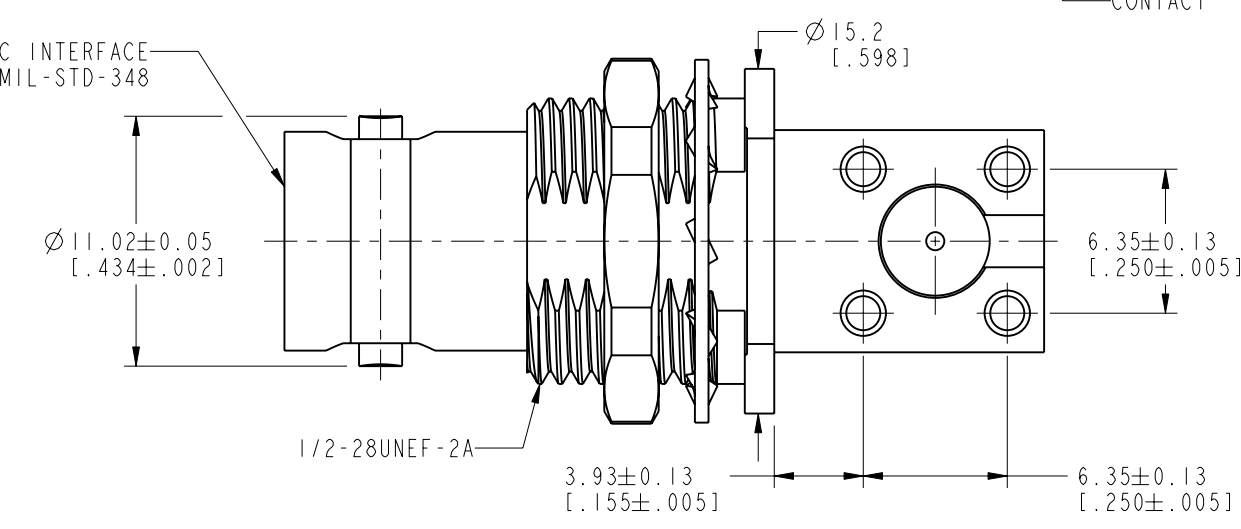
THIRD ANGLE PROJ.

REVISIONS

REV	DESCRIPTION	DATE	ECO	APPR
--	RELEASE TO MFG	----	----	----
K	REDRAWN IN PRO/E, BODY WAS ZINC DIE CAST	9/14/10	48239	
L	NOTE 1 PINS (4) WAS PIN; ADD REF FOR PINS & CONTACT	12/8/11	48873	
M	RELEASED AT ARFA	27-Jan-15	50381	SH
N	CORRECTED INTERNAL ASSEMBLY NOTE, SEE SHEET 1 /RD-DM17010901S6	16-Jan-17	02861	SW



BNC INTERFACE PER MIL-STD-348



**CUSTOMER OUTLINE DRAWING**  
 ALL OTHER SHEETS ARE FOR INTERNAL USE ONLY

UNLESS OTHERWISE SPECIFIED, DIMENSIONS ARE IN METRIC AND TOLERANCES ARE: <0.5mm ±0.05mm    0.5 - 6mm ±0.1mm    6 - 30mm ±0.2mm    30 - 120mm ±0.3mm    ANGLES ±1°	MATERIAL	DRAWN STAMN	DATE 16-Jan-17	TITLE BNC RIGHT ANGLE 75 OHM PCB JACK	Amphenol RF www.amphenolrf.com
	REFERENCE	ENGINEER T. SMITH	DATE 13-Aug-10		
NOTICE - These drawings, specifications, or other data (1) are, and remain the property of Amphenol corp. (2) must be returned upon request; and (3) are confidential and not to be disclosed to any person other than those to whom they are given by Amphenol Corp. the furnishing of these drawings, specifications, or other data by Amphenol Corp., or to any other person to anyone for any purpose is not to be regarded by implication or otherwise in any manner licensing, granting rights to permitting such holder or any other person to manufacture, use or sell any product, process or design, patented or otherwise, that may in any way be related to or disclosed by said drawings, specifications, or other data.	CONFIGURATION LEVEL:	APPROVED S. HSIEH	DATE 16-Jan-17	SCALE: 2.0:1.0   SHEET 2 OF 2	ITEM NO. 31-70221
	FINISH	CAD FILE			DWG SIZE B   REV N