

SENORTECH

PERFORMANCE

Range 0 - 100 ppm
 Maximum overload..... 500 ppm H2S
 Sensitivity..... 600 - 1000 nA/ppm H2S
 Zero in air at 20 °C..... <±0.6 ppm H2S
 Resolution..... 0.1 ppm H2S
 Linearitylinear across range
 Response time, t90..... <35 s
 Long-term output drift.....<2% signal/month
 Warranty 2 years

OPERATING CONDITIONS

Temperature range-20 to +50 °C
 Operating humidity..... 15 - 90% RH (non-condensing)
 Pressure range 90 - 110 kPa (nominal)
 Operating circuit..... see Electrochemical Toxic Sensor Application Note
 Applied potential0 V
 Storage life..... 6 months in original packaging (0 - 25 °C)

PHYSICAL CHARACTERISTICS

Label coloursilver
 Weight..... 5 g approx.
 Dimensions see outline

This device is designed to be RoHS compliant.

CROSS-SENSITIVITY DATA

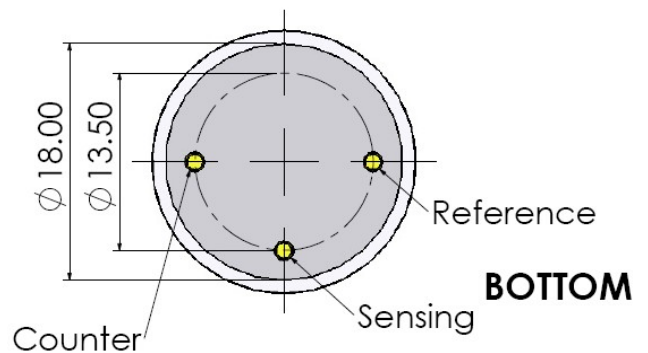
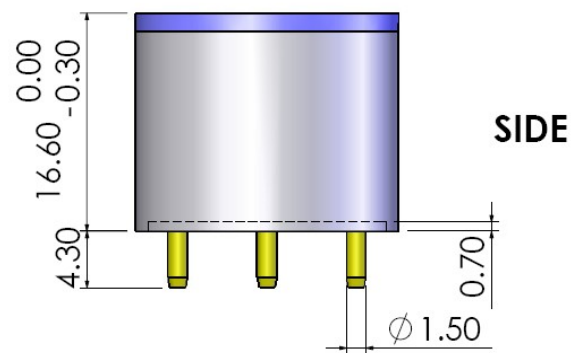
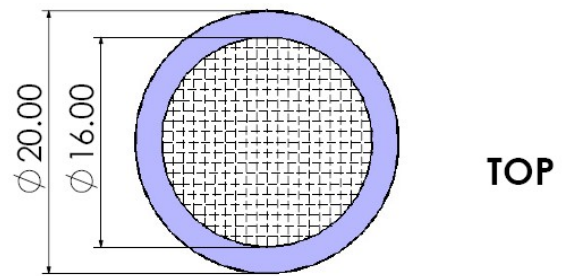
| GAS | Concentration (ppm) | Sensor Response (As ppm H2S) |
|------------------|---------------------|------------------------------|
| Carbon Monoxide | 300 | <1.5 |
| Sulfur Dioxide | 5 | <1 |
| Nitric Oxide | 35 | <0.7 |
| Nitrogen Dioxide | 5 | <-1 |
| Hydrogen | 100 | 0 |

Important Note

Do not solder to the connector pins as this may damage the sensor and thereby invalidate the warranty.

Details on recommended connector pins can be found in the Frequently Asked Questions within the Gas Sensor section of the SGX website.

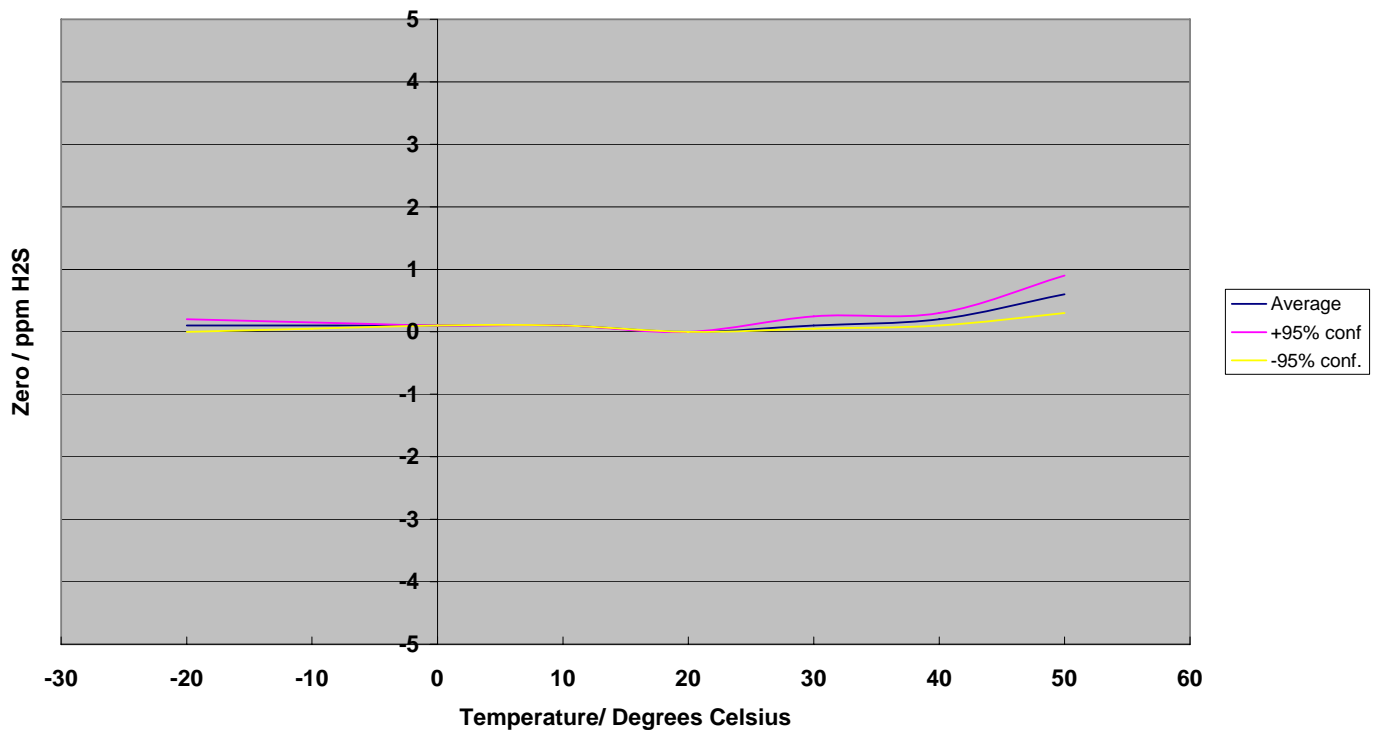
OUTLINE



All dimensions in mm.
 All tolerances ±0.15mm unless otherwise stated.

TEMPERATURE DEPENDENCE

EC-4-100-H2S Graph of Zero vs Temperature



EC-4-100-H2S Graph of Net Sensitivity vs Temperature

