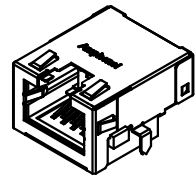
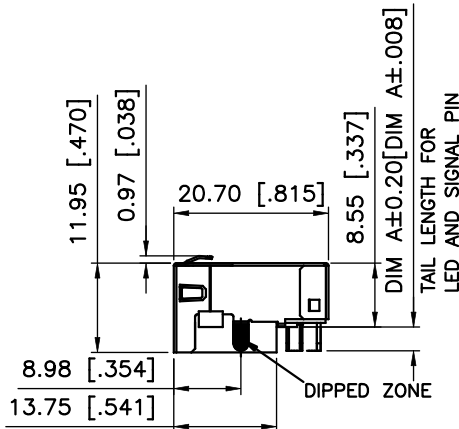
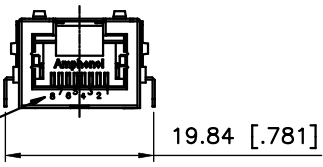


PIN NUMBERS SHOW FOR REFERENCE ONLY, IT DOES NOT SHOW ON ACTUAL PART



NOTES:

ELECTRICAL:

- VOLTAGE RATING : 125 VAC.
- CURRENT RATING : 1.25 AMP.
- INSULATING RESISTANCE : 500 MEGOHMS MINIMUM.
- DIELECTRIC STRENGTH : 1000 VAC 60Hz, 1MIN.
- CATEGORY 5e CHARACTERISTIC:

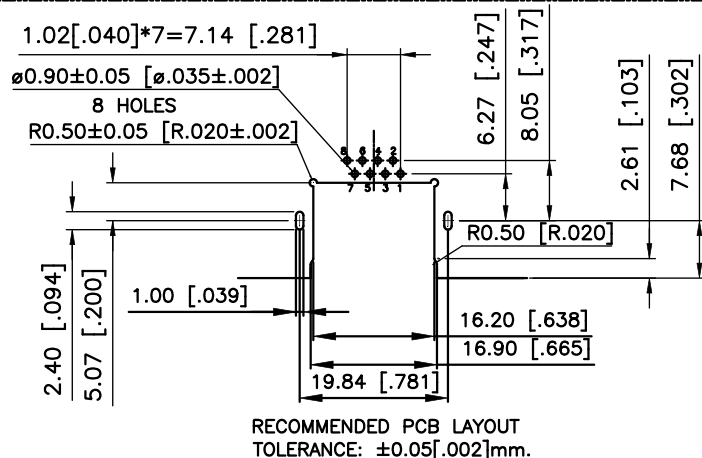
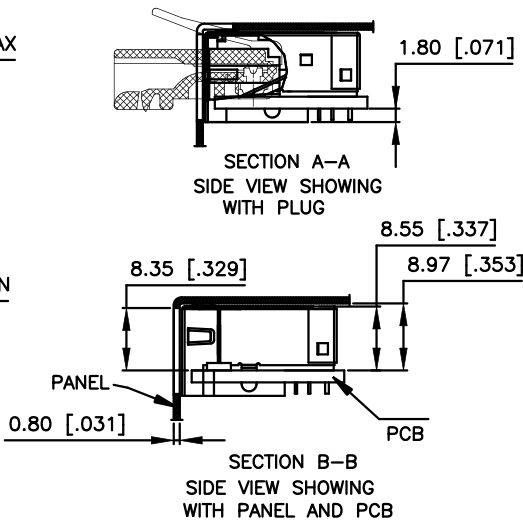
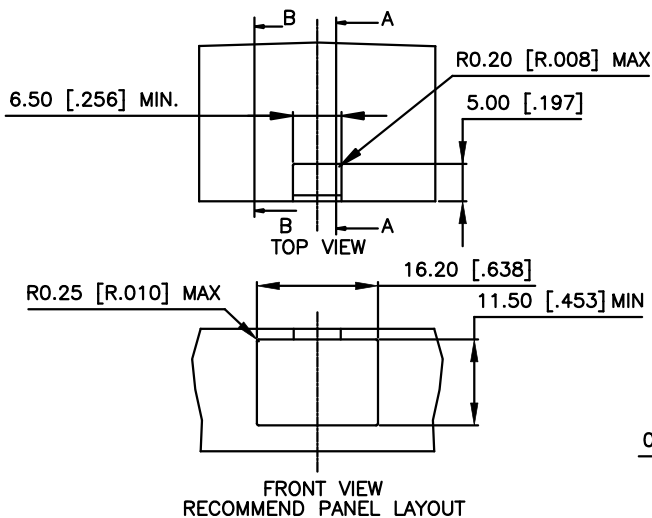
Frequency MHz	Near-End Crosstalk dB, MIN.	Return Loss dB, MIN.	Attenuation dB, MAX.
1.0	65	30	0.1
4.0	65	30	0.1
8.0	64.9	30	0.1
10.0	63	30	0.1
16.0	58.9	30	0.2
20.0	57	30	0.2
25.0	55	30	0.2
31.25	53.1	30	0.2
62.5	47.1	24.1	0.3
100.0	43	20	0.4

MECHANICAL:

- SHIELD : STAINLESS STEEL, WITH TIN-DIP ON SOLDER TABS.
- HOUSING : HIGH TEMP THERMOPLASTIC. UL 94V-0.
- INSERT : HIGH TEMP THERMOPLASTIC UL 94V-0.
- PCB : FR-4.
- CONTACT : PHOSPHOR BRONZE. SELECTIVE GOLD PLATING FOR MATING SURFACE, SEE AMPHENOL PART NUMBER FOR DETAIL. 50u" NICKEL UNDERPLATE 100u" MATTE TIN PLATING ON CONTACT SOLDER TAIL.

ENVIRONMENTAL:

- STORAGE : -40° TO +85°.
 - OPERATION : -40° TO +85°.
- MATES WITH MODULAR PLUG CONFORMING TO TIA 1096 STANDARD.
RECOMMENDED SOLDER PROCESS: WAVE SOLDER, PEAK TEMPERATURE 260° FOR 5 SECOND MAXIMUM.



AMPHENOL PART NUMBER: RJE72-188-1X0X

- GOLD PLATING OPTION _____ = OPTIONS (SEE BELOW TABLE 1)
- 1=6u" [0.15 MICRONS] GOLD PLATING
 - 2=15u" [0.38 MICRONS] GOLD PLATING
 - 3=30u" [0.76 MICRONS] GOLD PLATING
 - 4=50u" [1.27 MICRONS] GOLD PLATING

TABLE 1

AMPHENOL P/N:	DIM A	RECOMMEND PCB THICKNESS
RJE721881X01	3.18[.125]	2.36[.093]
RJE721881X02	2.27[.089]	1.57[.062]
RJE721881X03	2.16[.085]	1.57[.062]

UNLESS SPECIFIED OTHERWISE	DRAWN HUGH WANG	JAN 17, 2014
PRIMARY UNITS MILLIMETERS	CHECKED L.CHAN	JAN 17, 2014
SECONDARY INCHES	M.E. APP'D	
REFERENCE IN PARENTHESES	Q.A. APP'D	
GENERAL TOLERANCES FOR MM	DWG APP'D ADRIAN.G	JAN 17, 2014
1 DECIMAL PLACE ±0.50	ENG. REL. NO.	
2 DECIMAL PLACE ±0.30	REF.	
3 DECIMAL PLACE ±0.10	THIRD ANGLE PROJECTION	DO NOT SCALE DRAWING
ANGULAR DEGREES ±3°		

Amphenol Canada Corp.
www.amphenolcanada.com

MODULAR JACK, SINGLE PORT, 8 POSITIONS, 8 CONTACTS, SHIELDED WITH TOP & SIDE TABS, WITHOUT LED, SINK PCB TYPE, TAB UP, CAT5E

DWG NO. P-RJE72-188-1X0X REV D

CODE ID NO. 03554 DWG SIZE: C SCALE: N/A SHEET 1 OF 1