

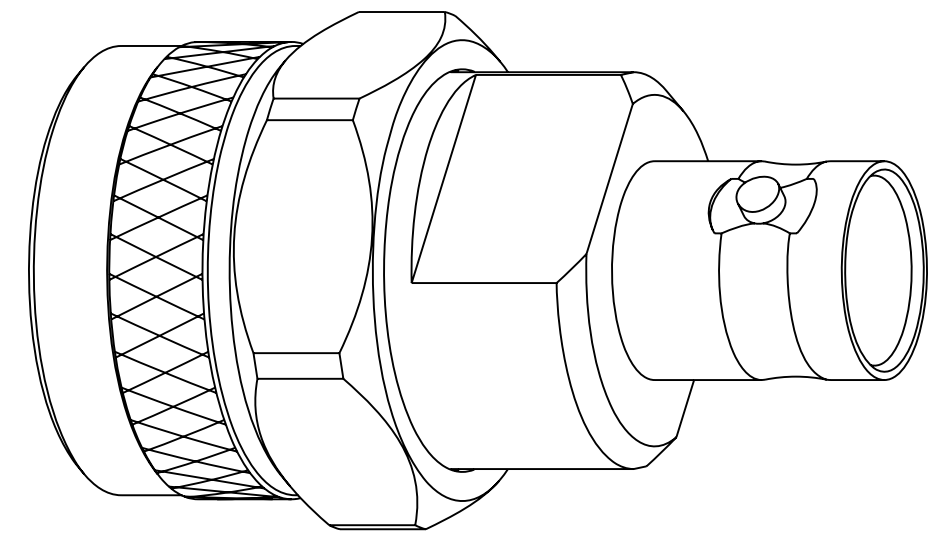
## NOTES:

1. MATERIALS AND FINISHES:  
 BODY - BRASS, NICKEL PLATING  
 CONTACT - PHOS. BRONZE, GOLD PLATING  
 INSULATOR - PTFE, NATURAL  
 COUPLING NUT - BRASS, NICKEL PLATING  
 RETIATING RING - STAINLESS STEEL, NATURAL
2. ELECTRICAL:  
 A. IMPEDANCE: 75 OHM  
 B. FREQUENCY RANGE: DC-12 GHz  
 C. VSWR(RETURN LOSS): -25 dB DC-6 GHz MAX.  
                               -20 dB 6-12 GHz MAX.  
 D. DIELECTRIC WITHSTANDING VOLTAGE: 1000 VRMS, MIN.
3. MECHANICAL:  
 A. DURABILITY: 500 CYCLES MIN.  
 B. TEMPERATURE RANGE: -65° C TO 165° C
4. PACKAGING:  
 A. QUANTITY: SINGLE PACK  
 B. MARKING: PACKAGING TO BE MARKED  
    "AMPHENOL RF, AD-NPBNCJ-1, DATE CODE"

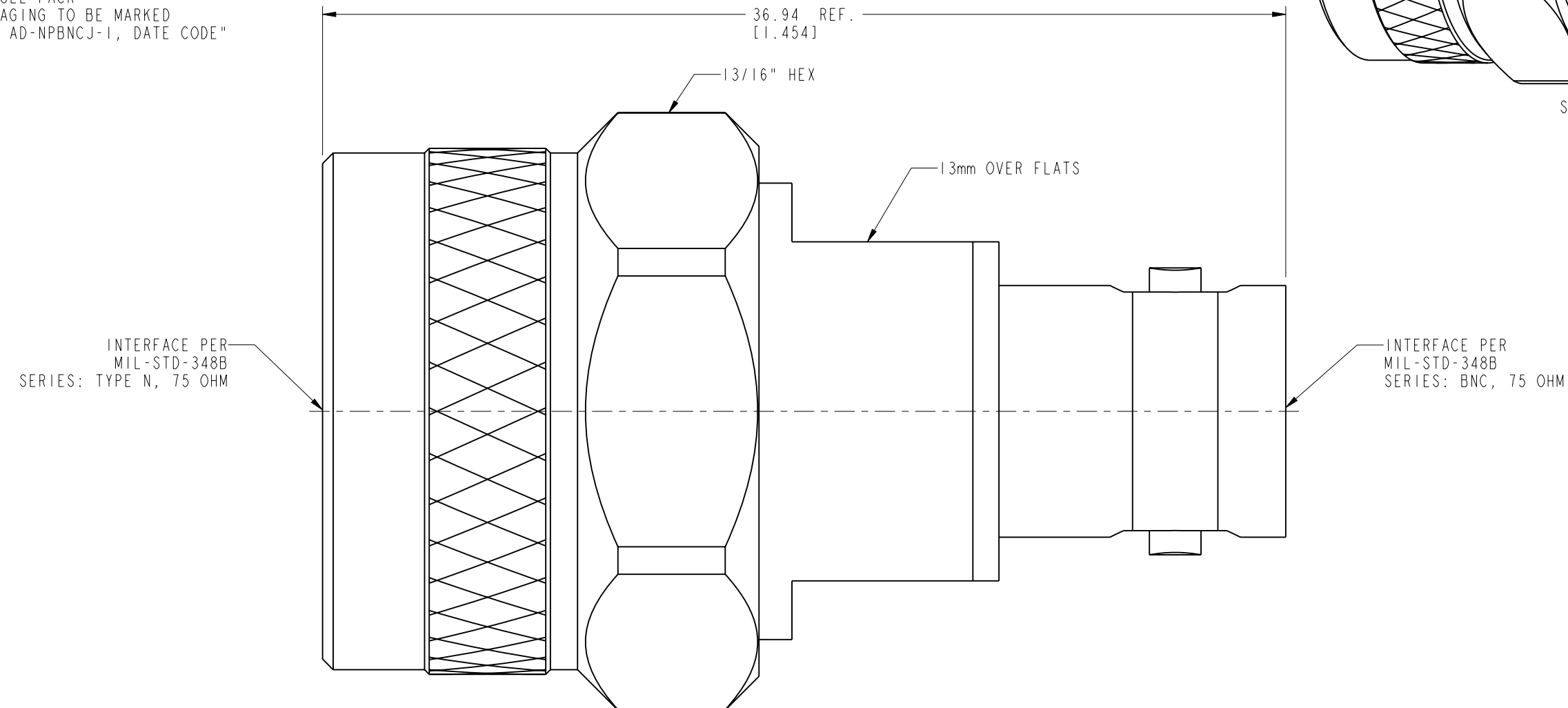
THIRD ANGLE PROJ.

## REVISIONS

REV	DESCRIPTION	DATE	ECN	APPR
A	RELEASE TO MANUFACTURING	12-Aug-19	12542	CJV



SCALE 3.000

**CUSTOMER OUTLINE DRAWING**

ALL OTHER SHEETS ARE FOR INTERNAL USE ONLY

UNLESS OTHERWISE SPECIFIED, DIMENSIONS ARE IN METRIC AND TOLERANCES ARE:  
 <0.5mm 0.5 - 6mm 6 - 30mm 30 - 120mm ANGLES  
 ± 0.05mm ±0.1mm ±0.2mm ± 0.3mm ±1°

NOTICE - These drawings, specifications, or other data (1) are, and remain the property of Amphenol corp. (2) must be returned upon request; and (3) are confidential and not to be disclosed to any person other than those to whom they are given by Amphenol Corp. the furnishing of these drawings, specifications, or other data by Amphenol Corp., or to any other person to anyone for any purpose is not to be regarded by implication or otherwise in any manner licensing, granting rights to permitting such holder or any other person to manufacture, use or sell any product, process or design, patented or otherwise, that may in any way be related to or disclosed by said drawings, specifications, or other data.

MATERIAL

SEE NOTES

REFERENCE

EAR# 8729

REF: ---

CONFIGURATION LEVEL: In Work

FINISH

DRAWN

W. ZENG

ENGINEER

S. DUAN

APPROVED

S. HSIEH

CAD FILE

DATE

13-Aug-19

DATE

20-Aug-19

DATE

20-Aug-19

TITLE

ADAPTER

N PLUG TO BNC JACK

75 OHM

SCALE: 5.0:1.0 SHEET 2 OF 2

DWG SIZE

B

REV

A

Amphenol RF

www.amphenolrf.com

DRAWING NO. AD-NPBNCJ-1

ITEM NO. AD-NPBNCJ-1

PART NO. AD-NPBNCJ-1