

This document is the property of Amphenol Corporation and is delivered on the express condition that is not to be disclosed, reproduced or used, in whole or in part, for manufacture or sale by anyone other than Amphenol Corporation without its prior consent, and that no right is granted to disclose or to use any information in this document.

The marking on this product doesn't contain environmental hazardous material and must follow one or more specifications per Material Specification SS-00259 for Sony GP compliant or per directive 2011/65/EC for RoHS compliant or per IEC 61249-2-21 for Halogen Free compliant.

ORIGINAL

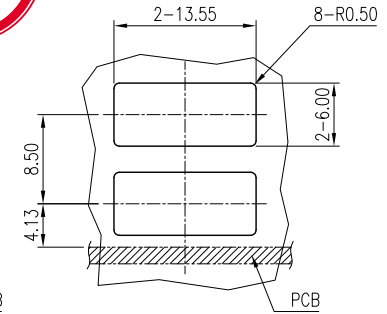
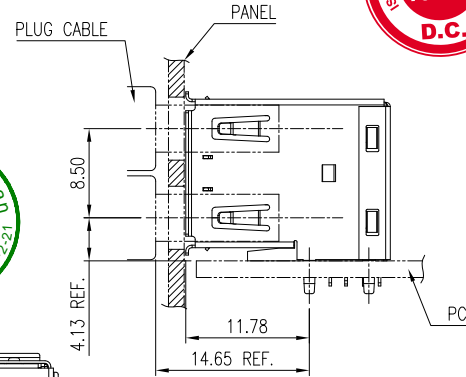
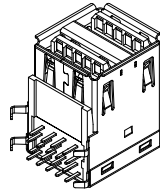
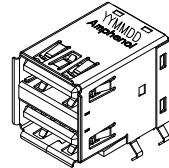
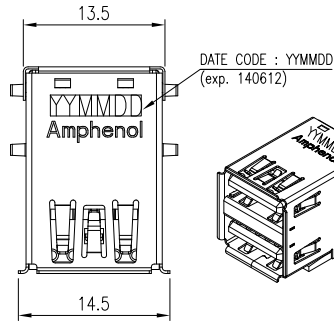
REVISIONS				
SYM	ECN No.	DESCRIPTION	DATE	BY
A	NE-14119	RELEASE TO PRODUCTION	06/20/2014	Sondra Sang
B	NE-14133	MODIFIED TAIL LENGTH	07/10/2014	Sondra Sang
C	NE-17165	CANCELED UL94H-B IN NOTE 1	06/29/2017	Sondra Sang

PART NUMBER:
GSB4 112 3 X X HR

CONTACT FINISH
3: 30μ" GOLD

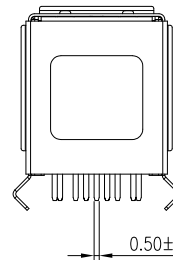
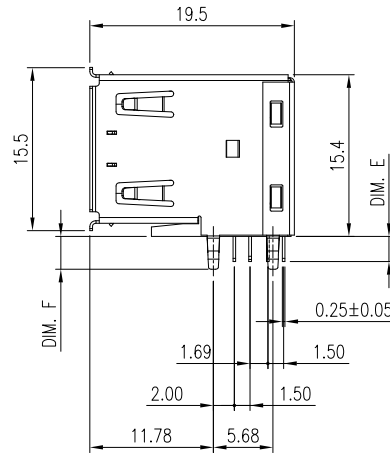
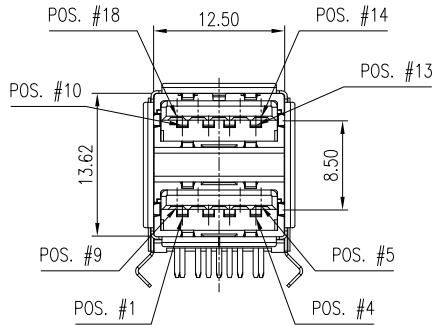
SOLDER TAIL LENGTH
2: 2.40mm (STANDARD)
3: 3.00mm

INSULATOR AND COLOR
1: LCP, Blue
3: LCP, Black
4: Nylon, Blue
6: Nylon, Black



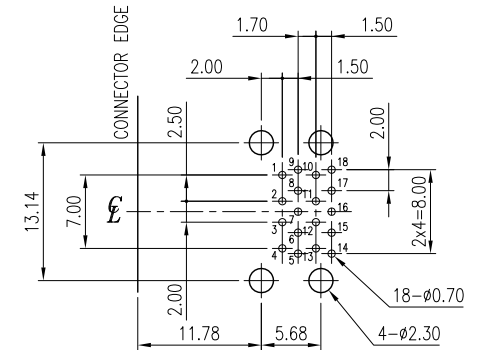
RECOMMEND MOUNTING CONFIGURATION

RECOMMEND PANEL CUTOUT



PART NO	DIM. E	DIM. F
GSB41123X2HR	2.4	3.0
GSB41123X3HR	3.0	3.5

PIN #	PIN #	SIGNAL NAME
1	10	VBUS
2	11	D-
3	12	D+
4	13	GND
5	14	SSRX-
6	15	SSRX+
7	16	GND_DRAIN
8	17	SSTX-
9	18	SSTX+
SHELL		SHIELD



RECOMMENDED PCB LAYOUT- TOP VIEW
(GENERAL TOLERANCE: ±0.05)

NOTES:

- HOUSING: HIGH TEMPERATURE THERMOPLASTIC, UL 94V-0 COLOR- BLUE (PANTONE 300C) OR BLACK
- BOTTOM COVER: HIGH TEMPERATURE THERMOPLASTIC, UL 94V-0, COLOR- BLUE (PANTONE 300C) OR BLACK
- CONTACT: COPPER ALLOY, 0.25mm THICKNESS, 30μ" MIN. GOLD or 2μ" MIN. GOLD +30μ" MIN. Ni-Pd PLATED ON CONTACT AREA, 120μ" MIN. MATTE TIN PLATED ON SOLDERING TAIL, 80μ" MIN. NICKEL UNDER-PLATED OVERALL
- FRONT SHELL: STAINLESS STEEL, 0.25mm THICKNESS, 30μ" MIN. NICKEL PLATED OVER ALL
- MIDDLE SHELL: STAINLESS STEEL, 0.25mm THICKNESS,
- REAR SHELL: STAINLESS STEEL, 0.2mm THICKNESS,
- THIS PRODUCT DOESN'T CONTAIN ENVIRONMENTAL HAZARDOUS MATERIALS PER DIRECTIVE 2011/65/EC FOR RoHS AND PER IEC 61249-2-21 FOR HALOGEN FREE COMPLIANT.

PIN ASSIGNMENT

TOLERANCE	APPROVALS	DATE	TITLE	UNIT	SIZE	PART No.
X. ±0.30	DRAWN Sondra Sang	6/29/2017	USB 3.1 CONNECTOR STANDARD A, STACKED, R/A DIP TYPE	mm	A3	GSB4 112 3X XHR
X.XX ±0.20	CHECKED Chenny Yeh	6/29/2017				
X.XXX ±0.10	APPROVED Hank Hsu	6/29/2017				
ANGULAR ±1°	DWG TYPE CUST DWG	PROJECT CODE T510		SCALE NA	SHEET 1 OF 1	DWG No. GSB41123XXHR
UNLESS OTHERWISE SPECIFIED						REV. C

Amphenol[®]

Amphenol Corporation
Amphenol Taiwan Corporation