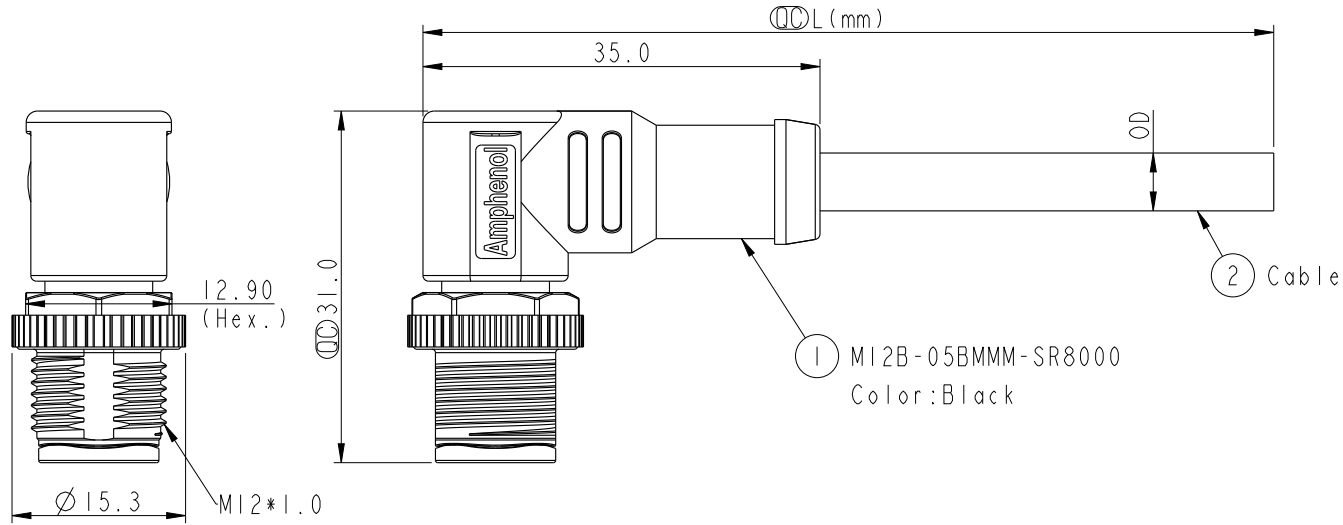
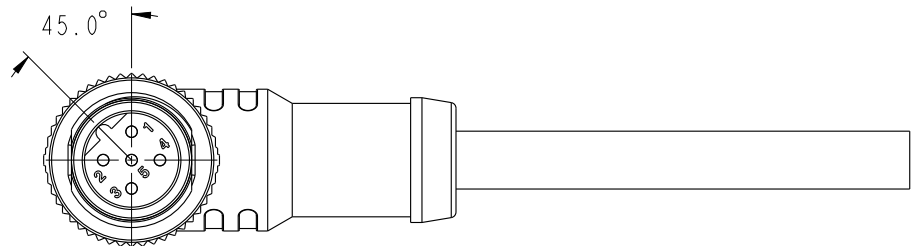


REV.	ECN NO.	DATE	SIGN	DESCRIPTION
A	Initial Release	2015-07-25	Feng_Li	Change Rev.01 To Rev.A
B	LEN1750121	2017-04-06	Lingpeng	Change The Cable OD



**ALTW**  
**CONFIDENTIAL**  
**2017-04-06**  
**R&D DEPT.**

**ALTW**  
**DCC. DEPT.**  
**CONFIDENTIAL**  
**2017.05.15**  
**ISSUED**



- Notes:
- \*  $\varnothing$  Important Dimension.
  - \* Waterproof Rate: IP68.
  - \* Connector: PU+GF,Black.
  - \* Male Pin: Copper Alloy, Gold Plated.
  - \* Screw Nut: Zinc Alloy, Nickel Plated.
  - \* Outer Mold: PU,Black.
  - \* Cable: (A) UL2517,PVC Jacket, Yellow.  
 (B) UL20549,PUR Jacket,Black.  
 (D) UL2517,PVC Jacket,Black.
  - \* Rated Voltage: 60V dc. or ac.
  - \* Rated Current: 4A
  - \* Operating Temperature: -25~85°C
  - \* Cable Length Tolerance: 01M:±40mm  
 02M~05M:±60mm  
 06M~10M:±100mm  
 11M~30M:±200mm  
 31M~99M:±500mm

UNIT:mm  
 TOLERANCE  
 ±0.5mm

TITLE M12 B Type Cable 90° Male Conn.			
SCALE 3:2	SIZE A4	SHEET 1 OF 2	
REV. B	WC-REV. A.2	$\varnothing$ : Inspection item	

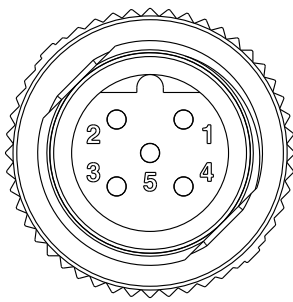
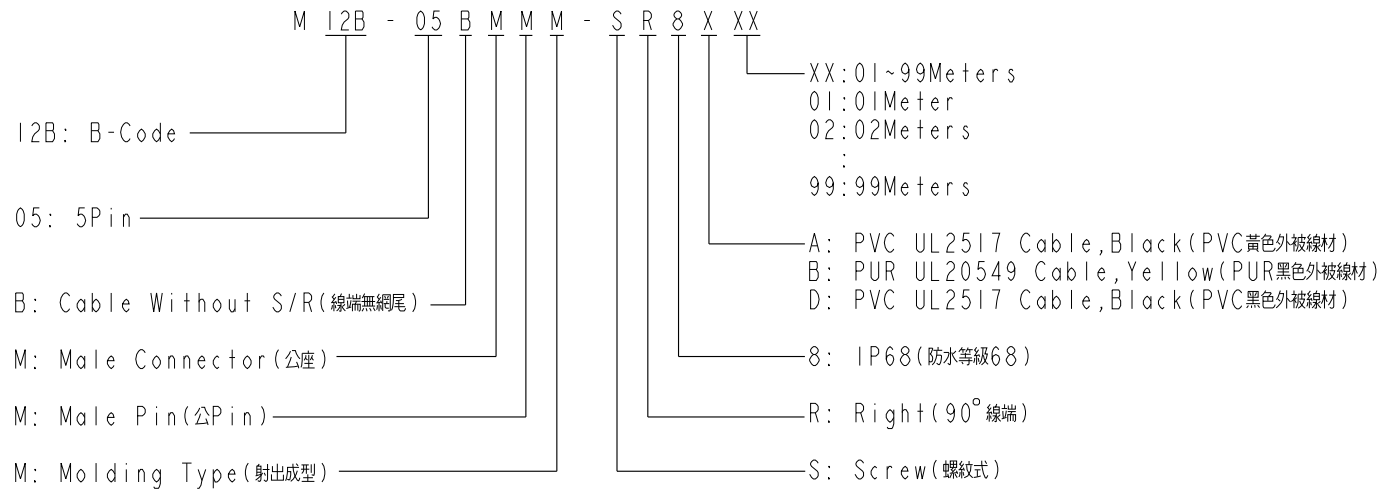
**Amphenol LTW**  
 安費諾亮泰企業股份有限公司

ITEM NO	DRAWN BY Lingpeng	DATE 2017-04-06
DWG NO M12B-05BMMM-SR8XXX	CHECKED BY Ma Fei	DATE 2017-04-06
CUSTOMER ALTW	APPROVED BY Jerry	DATE 2017-04-06

THIS DOCUMENT IS SUBJECT TO CHANGE WITHOUT NOTICE. IT IS CONFIDENTIAL AND A PROPERTY OF Amphenol LTW. DISCLOSURE TO THIRD PARTY HAS TO BE AUTHORIZED BY Amphenol LTW.

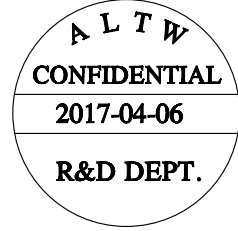
THIS DOCUMENT IS SUBJECT TO CHANGE WITHOUT NOTICE. IT IS CONFIDENTIAL AND A PROPERTY OF Amphenol LTW. DISCLOSURE TO THIRD PARTY HAS TO BE AUTHORIZED BY Amphenol LTW.

6	7	8
5P	PVC	5.1 22 MI2B-05BMMM-SR8DXX
5P	PUR	4.4 22 MI2B-05BMMM-SR8BXX
5P	PVC	5.1 22 MI2B-05BMMM-SR8AXX
Contacts	Cable Jacket	Cable OD AWG Item No.



Pin Assignments  
Front View

5	Gray	灰
4	Black	黑
3	Blue	藍
2	White	白
1	Brown	棕
Conn.	Wire Color	
Pin Out		



UNIT:mm	
TOLERANCE	±0.5mm

TITLE MI2 B Type Cable 90° Male Conn.			
SCALE 3:2	SIZE A4	SHEET 2 OF 2	
REV. B	WC-REV. A.2	QC: Inspection item	

**Amphenol LTW**  
安費諾亮泰企業股份有限公司

ITEM NO	DRAWN BY Lingpeng	DATE 2017-04-06
DWG NO MI2B-05BMMM-SR8XXX	CHECKED BY Ma Fei	DATE 2017-04-06
CUSTOMER ALTW	APPROVED BY Jerry	DATE 2017-04-06