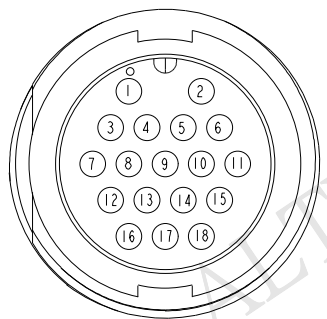
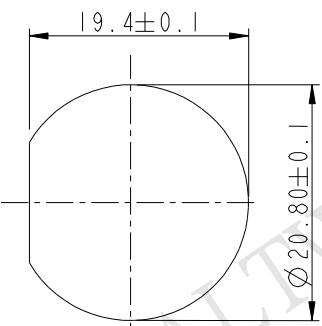
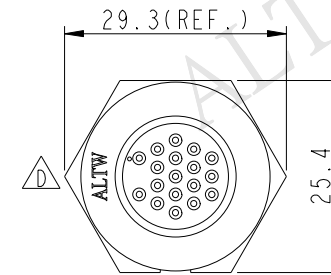
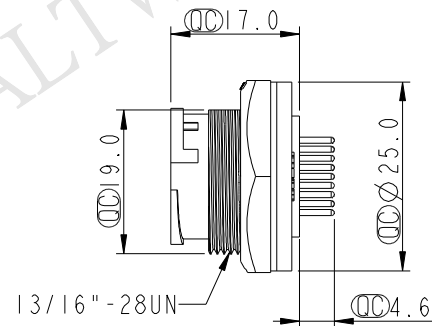
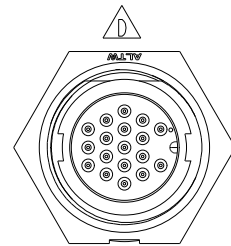


THIS DOCUMENT IS SUBJECT TO CHANGE WITHOUT NOTICE. IT IS CONFIDENTIAL AND A PROPERTY OF AMPHENOL LTW. DISCLOSURE TO THIRD PARTY HAS TO BE AUTHORIZED BY AMPHENOL LTW.

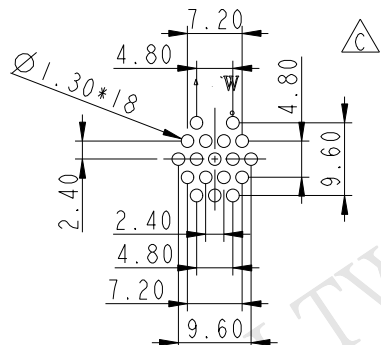
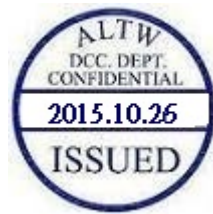
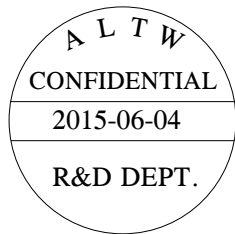
REV.	ECN NO.	DATE	SIGN	DESCRIPTION
B	LEN-8B0191	2008/09/25	Shin	Add Note
C	LEN-030099	2010/03/18	Li Xiu Zhi	Change PCB Layout
D	LEN15A0329	2015/06/04	Jinhai	Change Logo



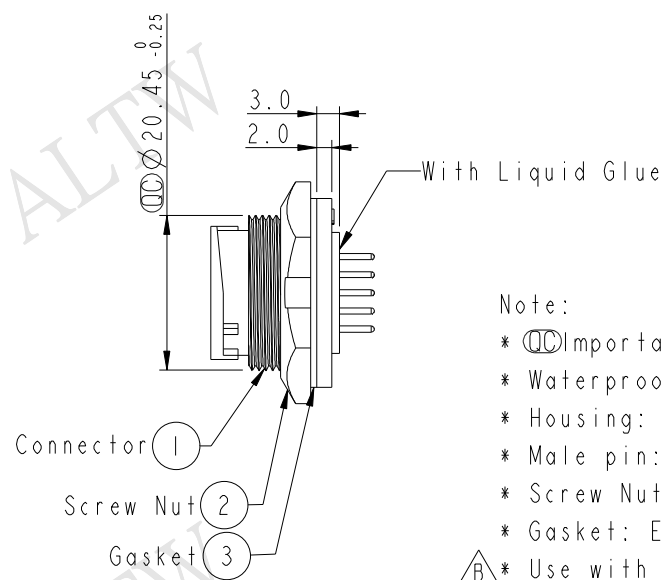
Pin Assignments  
Front View



Recommended  
Panel Cut-Out



18 Pin Male Connector  
Male Pin PCB Layout



Note:

- \*  $\varnothing$  Important Dimension To Check.
- \* Waterproof Rate: IP67
- \* Housing: Nylon+GF, Black
- \* Male pin: Copper Alloy, Gold Plated
- \* Screw Nut: Nylon+GF, Black
- \* Gasket: EPDM, Black
- $\triangle B$  \* Use with waterproof cap or dust cap  
Panel Thickness Max: 3.0mm
- $\triangle A$  \* Use without waterproof cap or dust cap  
Panel Thickness Max: 4.0mm

UNIT:mm		TITLE Middle Panel Lock 18Pin M Conn M Pin	
TOLERANCE .X ±0.25 .XX ±0.1 .XXX ±0.05 ANGLES ±1°	SCALE 1:1	SIZE A4	SHEET 1 OF 1
	REV. D	WC-REV. .0	$\varnothing$ : Inspection item

**Amphenol LTW**  
安費諾亮泰企業股份有限公司

ITEM NO. CU-18PMMP-LC7001	DRAWN BY Jinhai	DATE 2015-06-04
DWG NO. CU-18PMMP-LC7001	CHECKED BY Tom	DATE 2015-06-04
CUSTOMER ALTW	APPROVED BY Jerry	DATE 2015-06-04