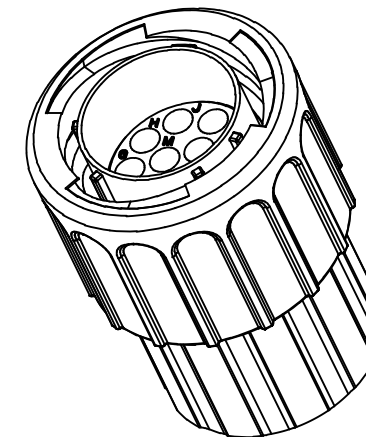
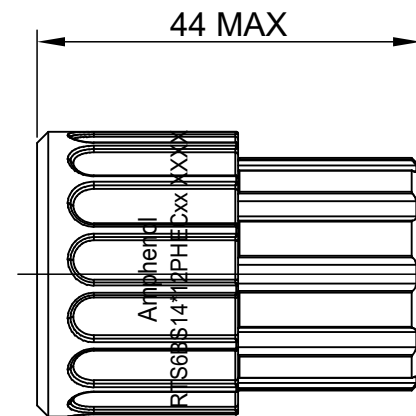
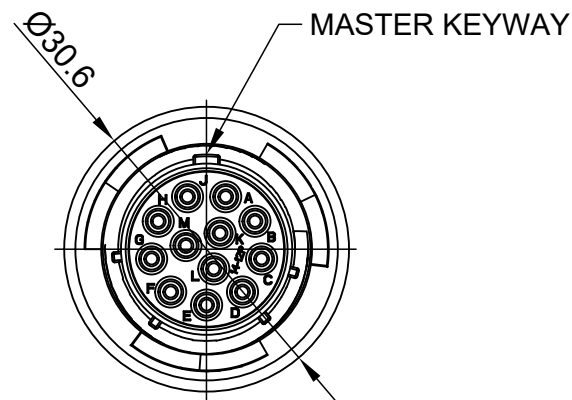


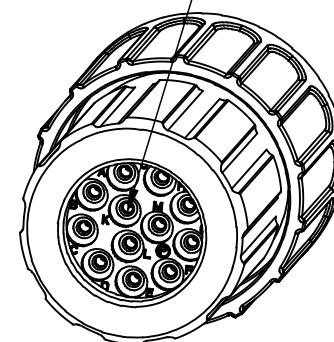
| REVISIONS | | | | | |
|-----------|-----|------------------|-------------|-------|-------|
| REV | ECO | DESCRIPTION | DATE | BY | APPR |
| A1 | -- | RELEASED DRAWING | JUN-14-16 | JARRY | TOMMY |
| A2 | -- | UPDATE NOTES | Jun-22-2017 | Nick | TOMMY |
| A3 | -- | UPDATE DRAWING | Mar-20-2018 | White | Tommy |



NOTES : (UNLESS OTHERWISE SPECIFIED)

- MATERIAL :
SHELL : THERMOPLASTIC , UL94 V-0.
INSERT : THERMOPLASTIC , UL94 V-0.
COUPLING NUT : THERMOPLASTIC , UL94 V-0.
O-RING : NBR OR SILICONE RUBBER.
WASHER : SILICONE RUBBER.
END CAP : THERMOPLASTIC , UL94 V-0.
PLASTIC RING : THERMOPLASTIC , UL94 V-0.
WIRE SEAL: SILICONE RUBBER.
- SPECIFICATIONS :
2.1 RATED CURRENT : 13A (MAX).
2.2 RATED VOLTAGE : 500V(AC/DC).
2.3 OPERATING TEMPERATURE : SEE TABLE.
2.4 DIELECTRIC WITHSTANDING VOLTAGE : LESS THAN 2 MILLIAMPS CURRENT LEAKAGE@2000 VOLTS AC.
2.5 INSULATION RESISTANCE : 5000 MEGOHMS MIN.
2.6 IP CLASS : IP67 AND IP69K IN THE MATED CONDITION, WIRE SEALS FULLY POPULATED.
2.7 MATING CYCLES DURABILITY : 500 CYCLES MIN.
2.8 RoHS COMPLIANT.
- SUITABLE CONTACTS : 16# CONTACT.
- ALL DIMENSIONS ARE FOR REFERENCE USE ONLY.

SEALING PLUGS CAN BE PURCHASED SEPARATELY



5. CONTACT SIZE AND REAR SEAL WIRE RANGE :

| CONTACT SIZE | MIN. INSUL O.D. | MAX. INSUL O.D. | WIRE RANGE |
|--------------|-----------------|-----------------|------------|
| 16# | Ø2.0MM | Ø3.2MM | 14 - 24AWG |

| KEY | PART NUMBER | |
|-----|-----------------|-------------------|
| | -40°C ~ 105°C | -40°C ~ 125°C |
| N | RTS6BS14N12PHEC | RTS6BS14N12PHEC03 |

| QUANTITY | PART NUMBER | DESCRIPTION | ITEM | | | | | | | | | | | | | | | | |
|--|-------------|--|---|------|---------|----------|---|----|-------------------|----|--|--------|-------|----|--|------|---|---|--|
| MATERIALS LIST | | | | | | | | | | | | | | | | | | | |
| UNLESS OTHERWISE SPECIFIED 1) All dimensions are in metric(mm). 2) Tolerances are as follows: 1 PL DEC ±0.30 2 PL DEC ±0.15 3 PL DEC ±0.08 3) Note reference = | | SIGNATURES DRAWN: White CHECKED: Tod ENGINEER: APPROVAL: Tommy | DATE Mar-20-2018 Mar-20-2018 Mar-20-2018 | | | | | | | | | | | | | | | | |
| MATERIAL SPECIFICATIONS: | | <p style="text-align: center;">Amphenol</p> <p style="text-align: center;">Sine Systems - www.amphenol-sine.com 44724 Morley Drive Clinton Township, MI 48036</p> <p style="text-align: center;">ECO-MATE,PLUG,END CAP, SIZE 14,12POS,PIN</p> | | | | | | | | | | | | | | | | | |
| PROCESS SPECIFICATIONS: | | | | | | | | | | | | | | | | | | | |
| NEXT ASSY: | | <table border="1"> <tr> <td>SIZE</td> <td>TYPE</td> <td>DWG NO:</td> <td>REVISION</td> </tr> <tr> <td>B</td> <td>C-</td> <td>RTS6BS14*12PHECxx</td> <td>A3</td> </tr> </table> | SIZE | TYPE | DWG NO: | REVISION | B | C- | RTS6BS14*12PHECxx | A3 | <table border="1"> <tr> <td>SCALE:</td> <td>SHEET</td> <td>OF</td> <td></td> </tr> <tr> <td>NONE</td> <td>1</td> <td>1</td> <td></td> </tr> </table> | SCALE: | SHEET | OF | | NONE | 1 | 1 | |
| SIZE | TYPE | DWG NO: | REVISION | | | | | | | | | | | | | | | | |
| B | C- | RTS6BS14*12PHECxx | A3 | | | | | | | | | | | | | | | | |
| SCALE: | SHEET | OF | | | | | | | | | | | | | | | | | |
| NONE | 1 | 1 | | | | | | | | | | | | | | | | | |

TITLE: ECO-MATE,PLUG,END CAP,SIZE 14,12POS,PIN

DWG NO: RTS6BS14*12PHECxx

REV: A3

SH: 1

OF: 1