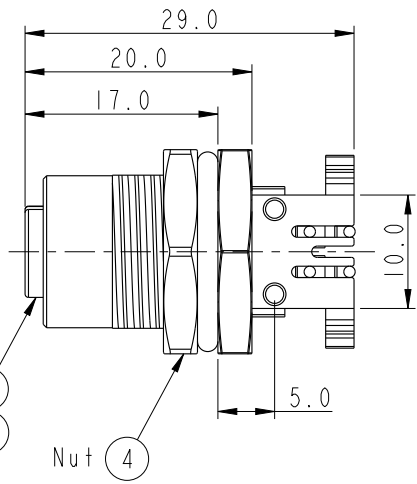
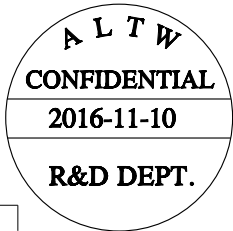
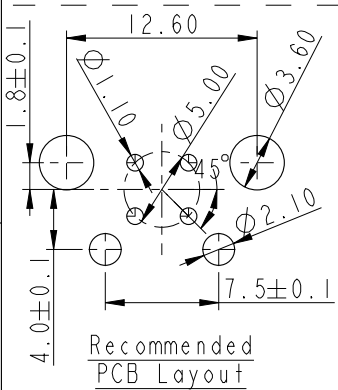
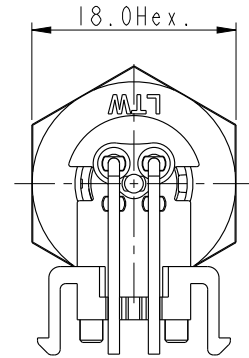
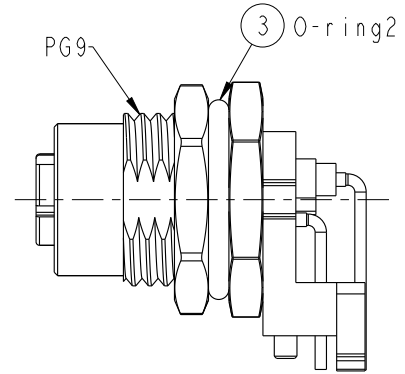
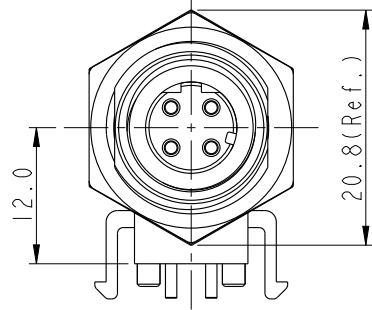
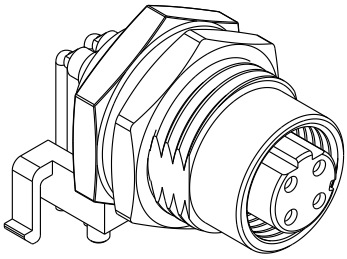
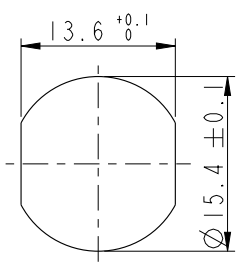
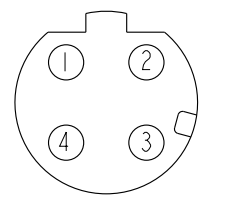


REV.	ECN NO.	DATE	SIGN	DESCRIPTION



- Note:
- * (CC) Important Dimension To Check.
 - * Waterproof Rate: IP68
IP68: 1M Depth Of Water In 24hours
 - * Connector: Nylon+GF, Black
 - * Female Pin: Copper Alloy, Gold Plated
 - * Shell: Zinc Alloy, Nickel Plated.
 - * Nut: Zinc Alloy, Nickel Plated.
 - * O-ring1: Silicon, Gray
 - * O-ring2: Silicon, Black
 - * Boardlock: PBT+PC, Black
 - * For Panel Thickness Max. 4.5mm
 - * For PCB Thickness Max. 1.6mm



UNIT: mm	
TOLERANCE	
.X	±0.25
.XX	±0.1
.XXX	±0.05
ANGLES	±1°

TITLE M12 DCODE 90° PANEL 4PIN FCONN FPIN			
SCALE 3:2	SIZE A4	SHEET 1 OF 1	
REV. A	WC-REV. A.1	CC: Inspection item	

Amphenol LTW
安費諾亮泰企業股份有限公司

ITEM NO. M12D-04PFFR-SF8001	DRAWN BY Yulong_wang	DATE 2016-11-10
DWG NO. M12D-04PFFR-SF8001	CHECKED BY Jinhai	DATE 2016-11-10
CUSTOMER ALTW	APPROVED BY Jerry	DATE 2016-11-10

THIS DOCUMENT IS SUBJECT TO CHANGE WITHOUT NOTICE. IT IS CONFIDENTIAL AND A PROPERTY OF Amphenol LTW. DISCLOSURE TO THIRD PARTY HAS TO BE AUTHORIZED BY Amphenol LTW.

F
E
D
C
B
A