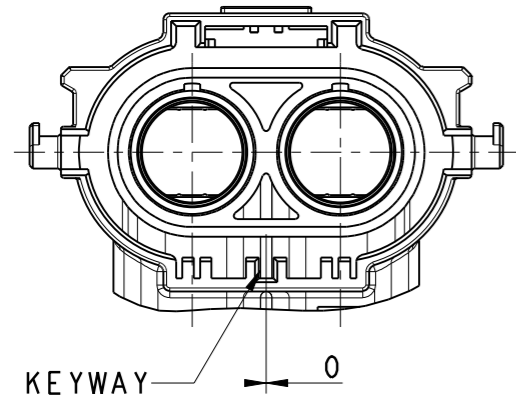
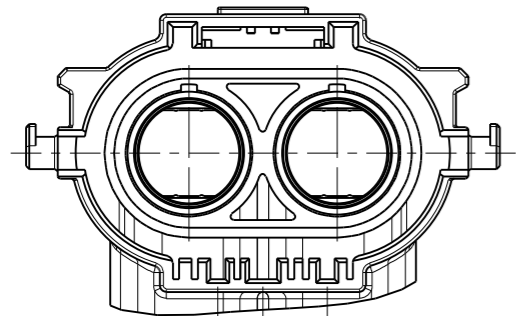


REV	ECN	DESCRIPTION	DATE	MODIFIED
1		PRE-RELEASE	25/04/16	RY
2			29/06/16	RY
3			29/07/16	RY



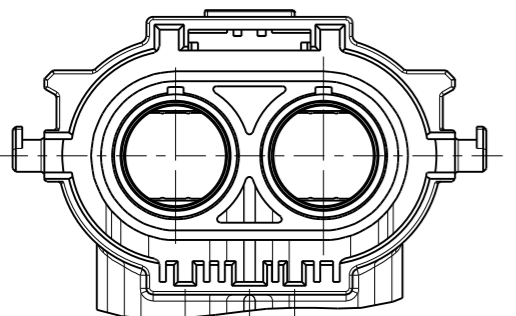
KEYWAY 0

HVSL800082AXXX
CODING A



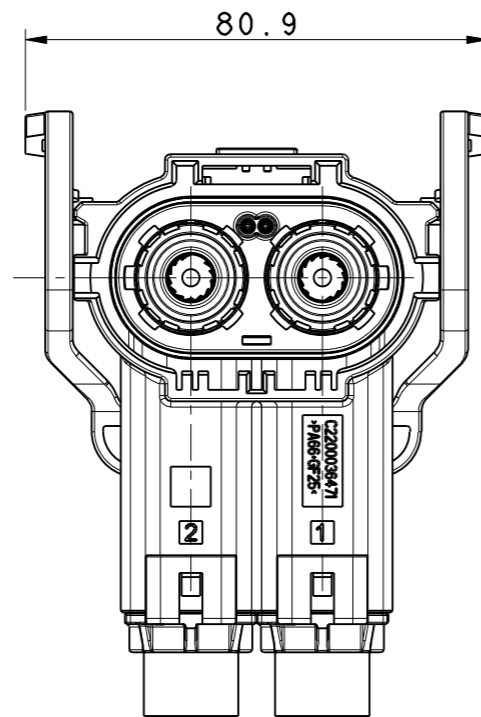
7 10

HVSL800082BXXX
CODING B

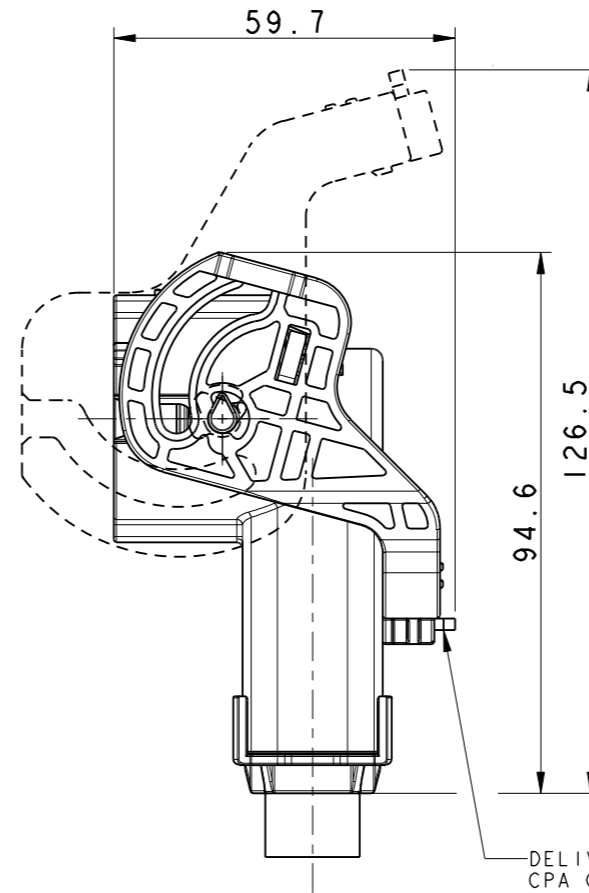


10 7

HVSL800082CXXX
CODING C



80.9

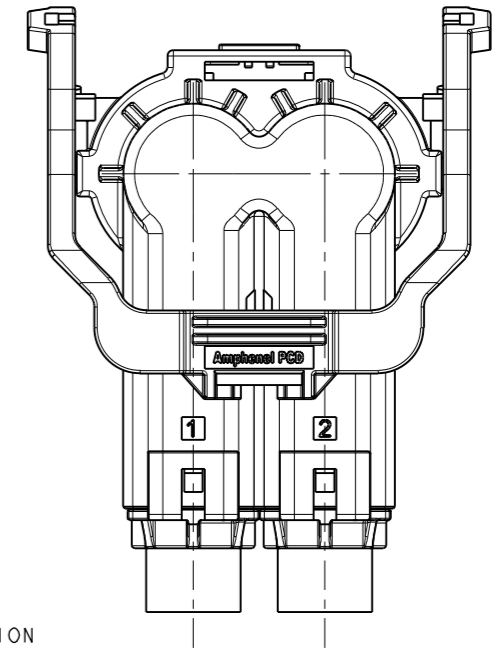


59.7

94.6

126.5

DELIVERY CONDITION:
CPA ON LOCKED POSITION



NOTES:

- MATERIAL & FINISH:
PLASTIC BODY: THERMOPLASTICS UL 94V-0 ORANGE COLOR
SOCKET CONTACT: COPPER ALLOY SILVER PLATED
- ELECTRONICAL CHARACTERISTICS:
HIGH VOLTAGE RATED 1000 V DC MAX.
CURRENT RATED 180 A MAX.
WITHSTANDING VOLTAGE 3000 V AC
PRODUCTS ARE COMPLIANCE WITH EN 60664-1 POLLUTION II
- ENVIRONMENT CHARACTERISTICS:
IP67 IP6K9K RATED (WHEN MATING)
IP2XB RATED FOR FINGER TOUCH-PROOF

HOW TO ORDER

HVSL 800 08 2X X XX

- A: CODING A 0: WITHOUT HVIL 50: CROSS-SECTION 50mm²
- B: CODING B 1: WITH HVIL WIRE OD=16.5 ± 0.4mm
- C: CODING C 35: CROSS-SECTION 35mm²
- WIRE OD=14.2 ± 0.4mm

DIMENSIONS ANSI Y14.5M UNITS: MM Pro/E FILE	TOLERANCES .X ±0.3 .XX ±0.10 ANGLES ±0.5°	PROJECTION 	Amphenol Pcd Shenzhen		TITLE HVSL 800 08 2 X X XX R/A PLUG ASSEMBLY		
			ENGR RY	25/04/16	SIZE A3	DWG NO. C-HVSL800082XXXX	REV 3
ORIGINAL NOT FOR CUSTOMER DISTRIBUTION	THIS DOCUMENT CONTAINS PROPRIETARY INFORMATION WHICH IS THE CONFIDENTIAL PROPERTY OF AMPHENOL PCD SHENZHEN			CODE: 58982	SCALE: 1:1	SHEET 1 OF 1	