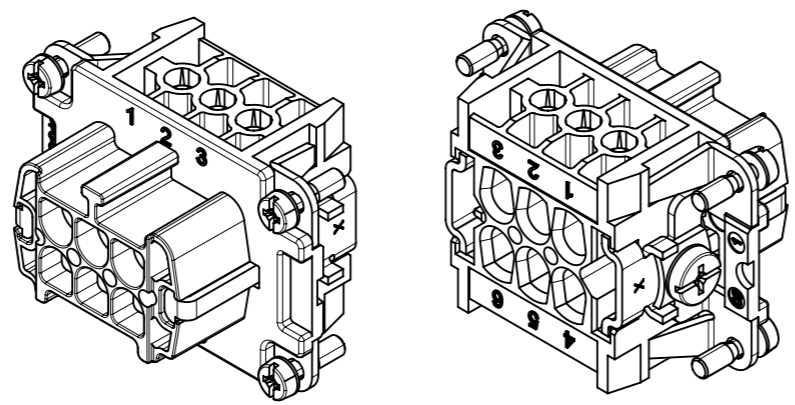
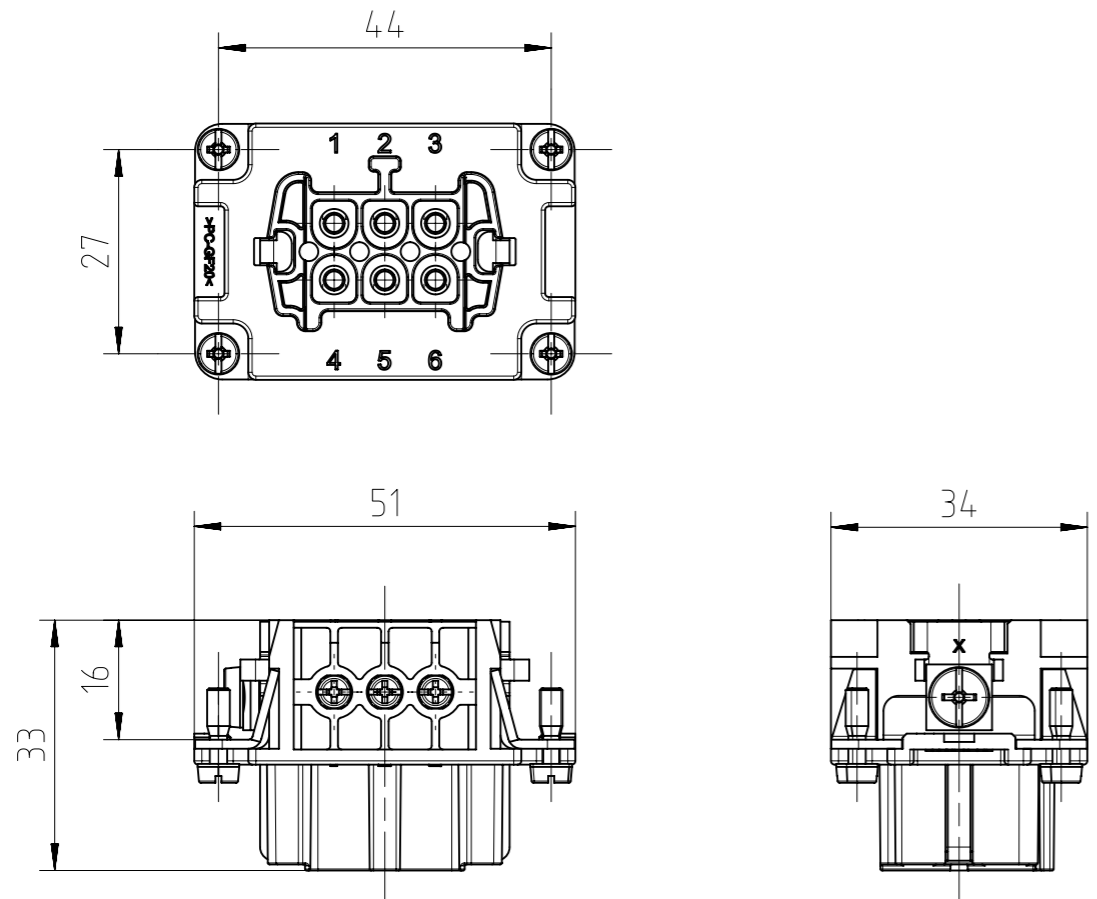


Characteristics

General Characteristics	Standard	Value
number of contacts		6+PE
termination technique		screw
wire gauge		0,5 mm ² - 4 mm ² AWG 20 - AWG 12
max. insulation diameter		4,6 mm
flammability	UL 94	V-0
Electrical Characteristics	Standard	Value
rated voltage	IEC 60664-1	500 V
pollution degree	IEC 60664-1	3
installation (overvoltage) category	IEC 60664-1	3
material group	IEC 60664-1	3b
rated impulse withstand voltage	IEC 60664-1	6 kV
rated current $T_{amb} = 40\text{ °C}$		22 A
current carrying capacity	IEC 60512-5-2	see derating curve
contact resistance	IEC 60512-2-1	≤ 5 mΩ
insulation resistance	IEC 60512-3-1	≥ 10 ¹⁰ Ω
Climatical Characteristics	Standard	Value
climatic category	IEC 60068-1	40 / 125 / 21
upper temperature	IEC 60512-11-9	+125 °C
lower temperature	IEC 60512-11-10	-40 °C
Mechanical Characteristics	Standard	Value
mechanical operation	IEC 60512-9-1	≥500 mating cycles
Materials	Standard	Value
insert		PC-GF20
contacts		CuZn (brass)
contact plating		Ag (silver)
color		grey

C146 E
ohne Drahtschutz
without wire protection



Alle technischen Daten wurden unter Laborbedingungen ermittelt und können im Praxisbetrieb abweichen.
Es handelt sich bei den Angaben weder um Beschaffenheits- noch um Haltbarkeitsgarantien.
All technical data have been measured in a laboratory environment and can be different during practical usage of the product. Any product information is for descriptive usage only and not legally binding; particularly the information does not constitute or provide any legal guarantees ("Beschaffenheitsgarantie" or "Haltbarkeitsgarantie").

Gewicht (errechnet) / Calc WT: 48,5 g		Zul. Abw./Tolerances:		Maßstab / Scale: 1:1		A3			
Prüfmaß / Testdimension		ISO 2768-mH				CUSTOMER DRAWING			
Teileindex / Partindexnumber		Datum/Date		Name					
		Gez. / Drawn		21.04.2016		PWÖLF		Buchseneinsatz 6pol	
		Status: Released		Inspector: 12.05.2016		MGRIM		female insert 6 pole	
05 201600249		21.04.2016		PWÖLF		Amphenol-Tuchel Electronics GmbH		M C146 10B006 002 1	
04 201500911		09.02.2016		MBERT				Blatt/Sheet 1	
Index		Änderung/Description		Datum/Date		Name		4.040.562	
								Ers. f. / Replacement for: M-C146 10B006 002 1 Rev03	

Coping of this document and giving it to others and the use or communication of the contents thereof, are forbidden without express authority. Offenders are liable to the payment of damages. All rights are reserved in the event of the grant of a patent or the registration of the utility model or design.

Weitergabe sowie Vervielfältigung dieser Unterlage, Verwertung und Mitteilung ihres Inhalts nicht gestattet, soweit nicht ausdrücklich zugestanden. Zuwiderhandlungen verpflichten zu Schadensersatz. Alle Rechte für den Fall der Patenterteilung oder Gebrauchsmuster-Eintragung vorbehalten.