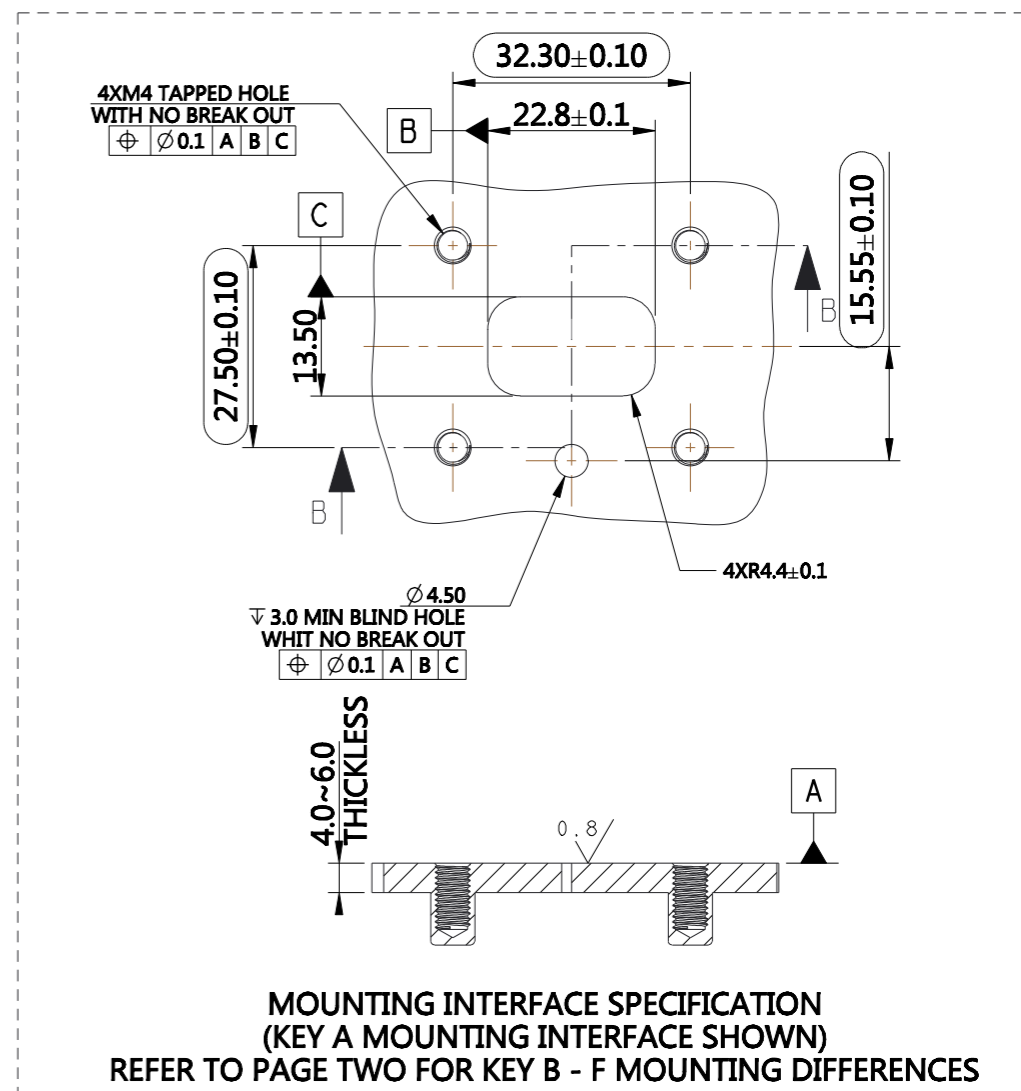
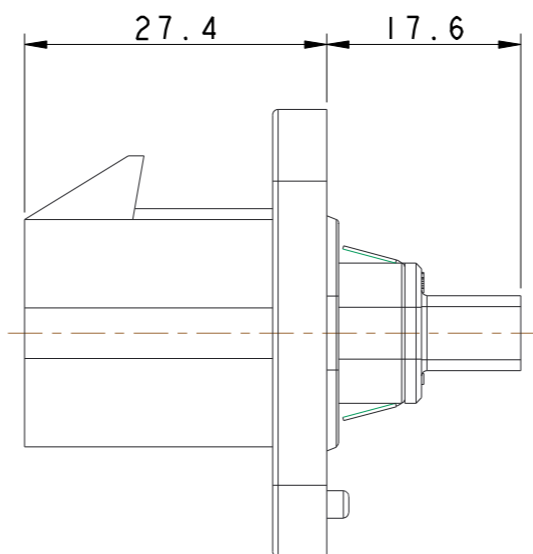
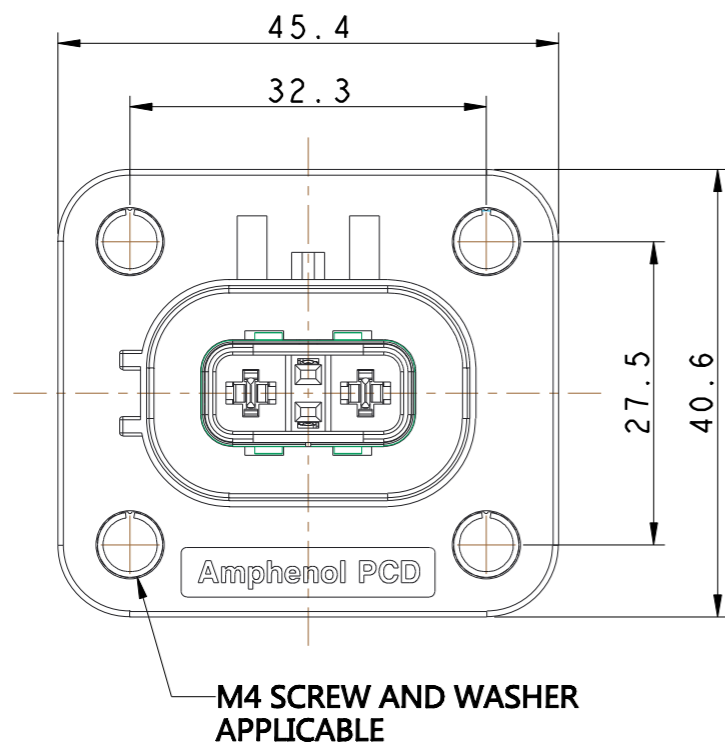


CUSTOMER DRAWING

REV	ECN	DESCRIPTION	DATE	MODIFIED
B		PRE-RELEASE	2017.05.24	R.Q



C-HVSL282022X

C-HVSL282022X

NOTE:

- RECEPTACLE DON'T INCLUDE CONTACT PIN, NEED TO BUY SEPARATE:
THE MAIN CONTACT: C310003611, USE LEVEL: 2PCS
THE HVIL CONTACT: C310003614, USE LEVEL: 2PCS
- PREVAILING TORQUES: 2N*M

SCOPE OF CABLE OUTSIDE DIAMETER	
SIZE	OUTSIDE DIAMETER
2.5 MM ²	2.7~3.7 MM
3 MM ²	2.5~3.7 MM
4 MM ²	3.0~4.0 MM

RECEPTACLE P/N	KEY CODE
HVSL282022A	A
HVSL282022B	B
HVSL282022C	C
HVSL282022D	D
HVSL282022E	E
HVSL282022F	F

TECHNICAL DATA	
CURRENT RATE (4MM ² UNSHIELD CABLE)	23A @ AMBIENT 70° C
CURRENT RATE (2.5~3MM ² UNSHIELD CABLE)	16A @ AMBIENT 70° C
UL RATING VOLTAGE (OVERVOLTAGE CATEGORY II POLLUTION DEGREE 2)	800V DC
OPERATING TEMPERATURE	-40~125° C
DIELECTRIC WITH STANDING VOLTAGE	3000V AC
INSULATION RESISTANCE	2000MΩ MIN. 25° C, NO CABLE
DURABILITY	200 CYCLES
SHIELDING	YES
WATERPROOF(MATED CONDITION)	IP 67、IP6K9K
PROTECTION LEVEL	IP2XB
AMBIENT TEMPERATURE	-40~70° C

DIMENSIONS	TOLERANCES	PROJECTION	TITLE	
ANSI Y14.5M UNITS: MM Pro/E FILE	X ±0.5 XX ±0.10 ANGLES ±0.5°		Amphenol Pcd Shenzhen	
ORIGINAL NOT FOR CUSTOMER DISTRIBUTION	THIS DOCUMENT CONTAINS PROPRIETARY INFORMATION WHICH IS THE CONFIDENTIAL PROPERTY OF AMPHENOL PCD SHENZHEN	ENGR	R.Q	2017.05.24
		CHKD		
		APPD		
		SIZE	DWG NO.	REV
		A3	C-HVSL282022X	B
		CODE: 58982	SCALE: 1:1	SHEET 1 OF 2

HVSL282022A (KEY A)

HVSL282022B (KEY B)

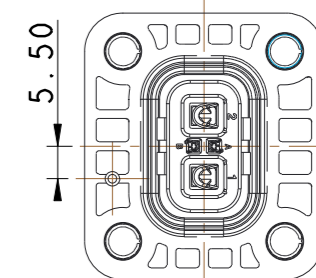
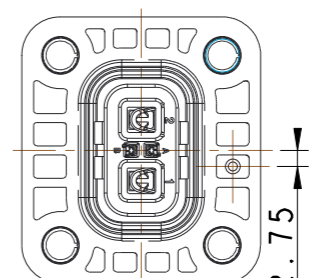
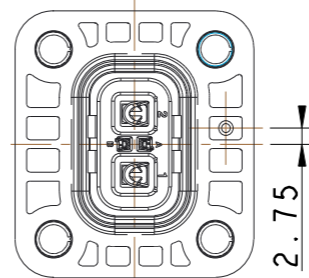
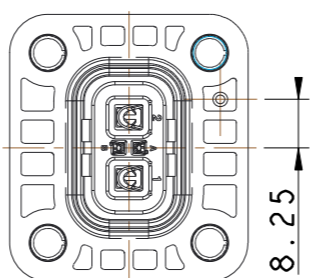
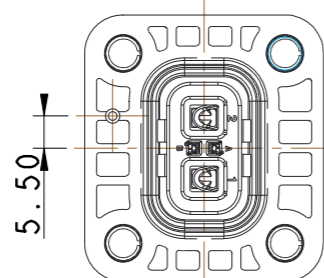
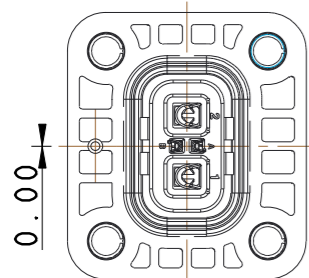
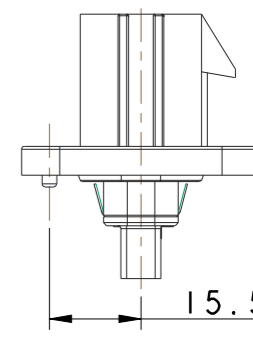
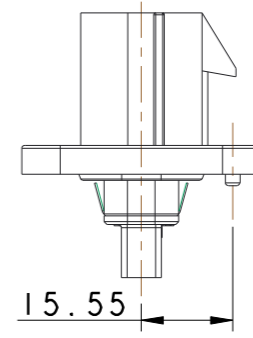
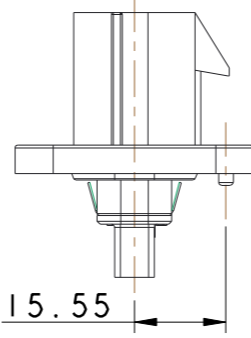
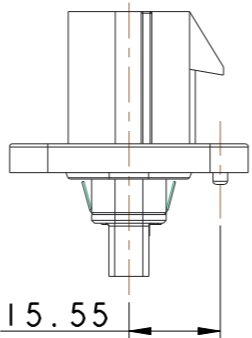
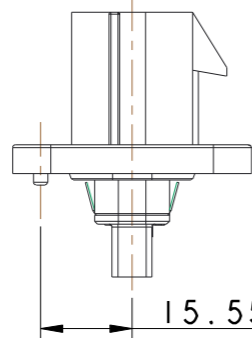
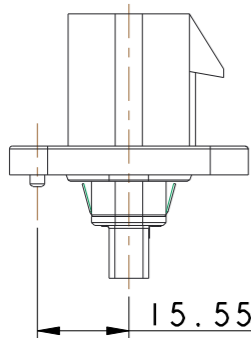
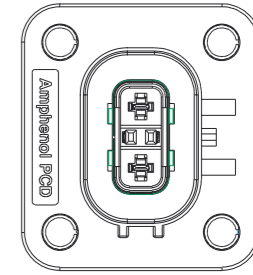
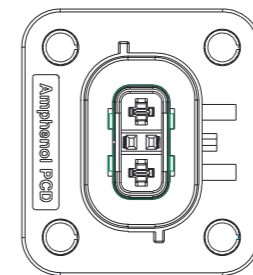
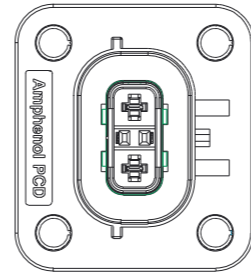
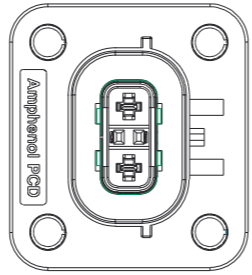
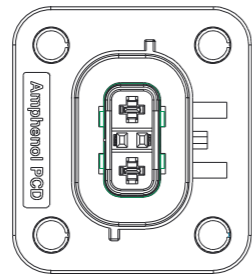
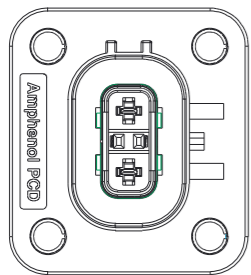
HVSL282022C (KEY C)

HVSL282022D (KEY D)

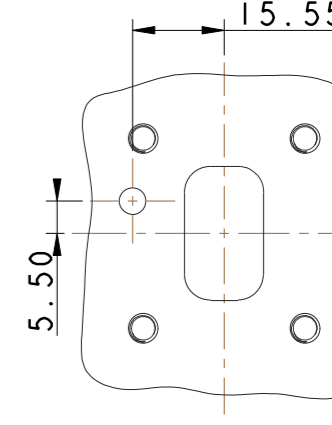
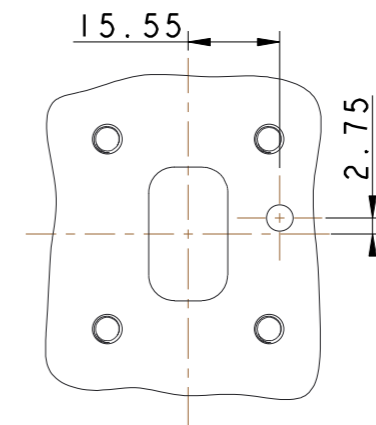
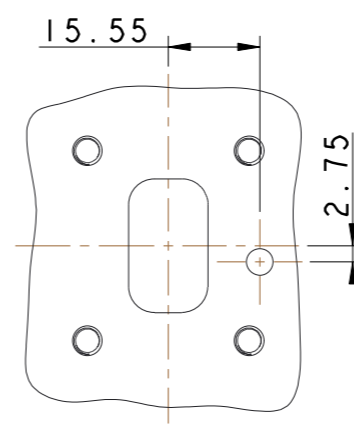
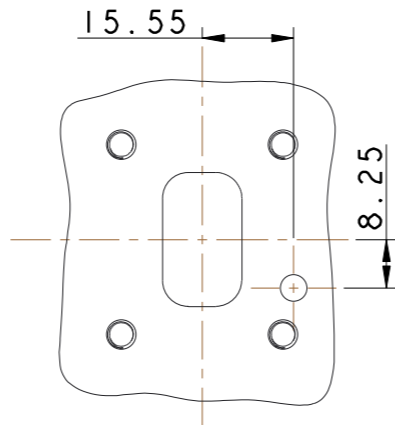
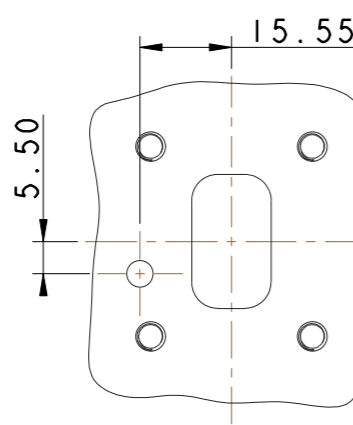
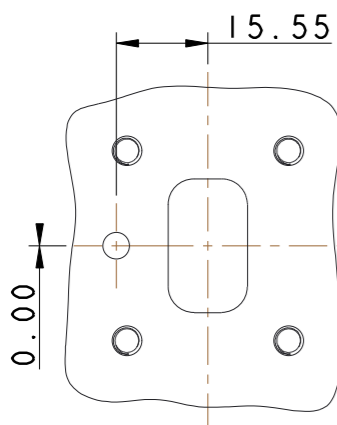
HVSL282022E (KEY E)

HVSL282022F (KEY F)

KEY A - F MOUNTING DIFFERENCES RECEIPTACLE



INTERFACE VIEW - MOUNTING SIDE



KEY A MOUNTING INTERFACE

KEY B MOUNTING INTERFACE

KEY C MOUNTING INTERFACE

KEY D MOUNTING INTERFACE

KEY E MOUNTING INTERFACE

KEY F MOUNTING INTERFACE

C-HVSL282022X

C-HVSL282022X

SIZE A3	DWG NO. C-HVSL282022X	REV B
CODE: 58982	SCALE: 1:1	SHEET 2 OF 2