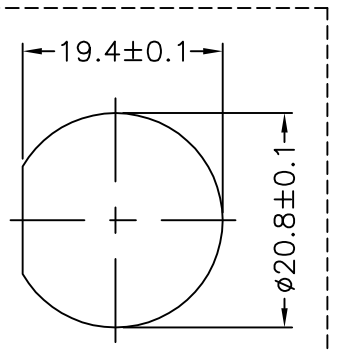
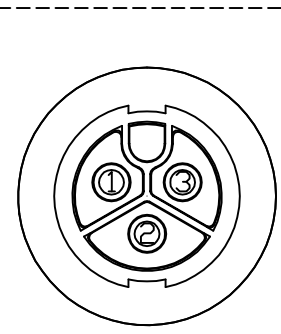
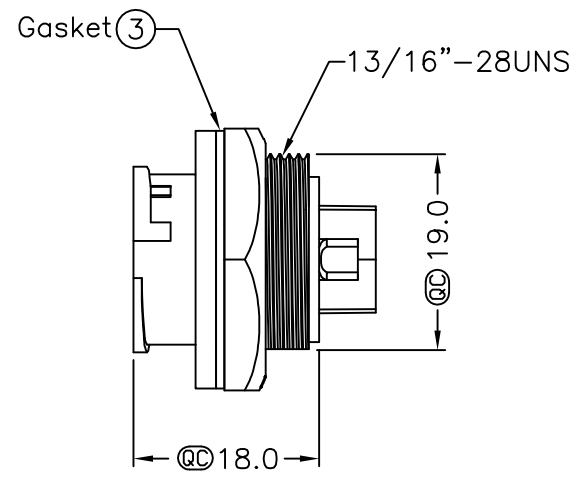
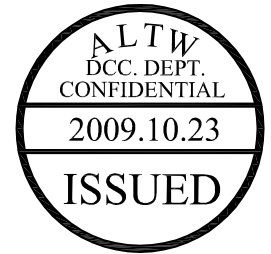
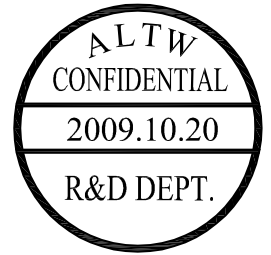
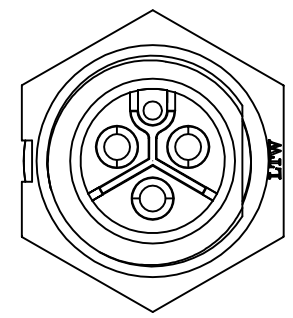
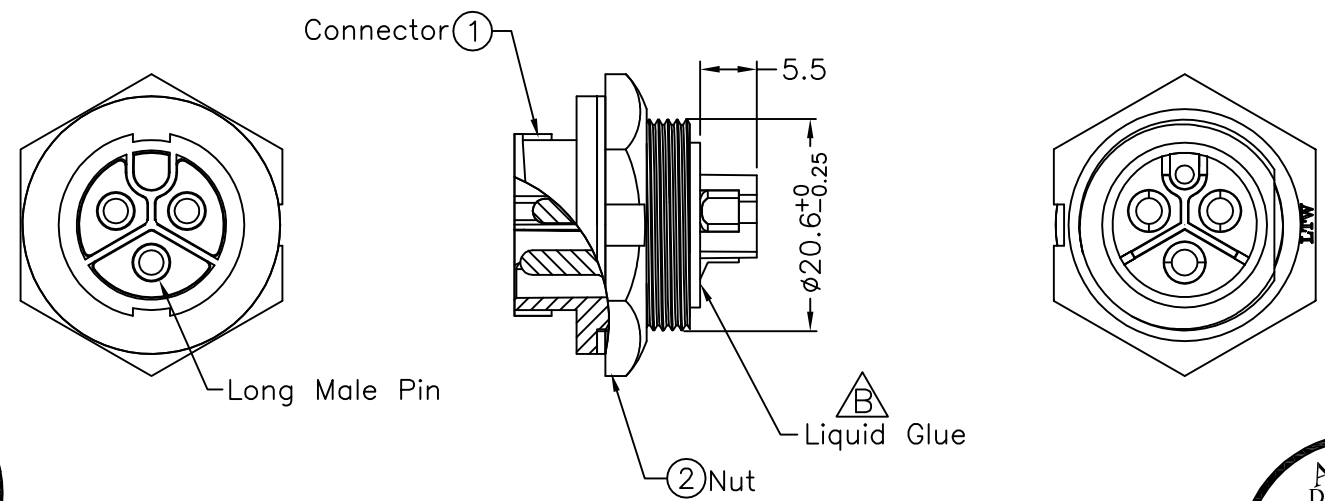


REV.	ECN NO.	DATE	SIGN	DESCRIPTION
B	LE3-9A0097	2009/10/20	Rita	Delete liquid no.

THIS DOCUMENT IS SUBJECT TO CHANGE WITHOUT NOTICE. IT IS CONFIDENTIAL AND A PROPERTY OF Amphenol LTW. DISCLOSURE TO THIRD PARTY HAS TO BE AUTHORIZED BY Amphenol LTW.



- Note:
- * @C Important Dimension To Check.
 - * Waterproof Rate: IP67
 - * Connector: Nylon+GF, UL94V-0, Black
 - * Male Pin: Copper Alloy, Gold Plated
 - * Gasket: Silicone, UL94V-0, Gray
 - * Maximum Panel Thickness: 4.5mm

UNIT:mm		TITLE Power, Panel Lock 3Pin M Conn. M Pin 20Amps	Amphenol LTW		ITEM NO PWC-03RMMS-LC7001	DRAWN BY Rita	DATE 2009/10/20
TOLERANCE .X ±0.25 .XX ±0.1 .XXX ±0.05 ANGLES ±1°	SCALE Free	SHEET 1 OF 1	安費諾亮泰企業股份有限公司		DWG NO PWC-03RMMS-LC7001	CHECKED BY Vicky	DATE 2009/10/20
1	2	3	4	5	CUSTOMER ALTW	APPROVED BY Lion	DATE 2009/10/21