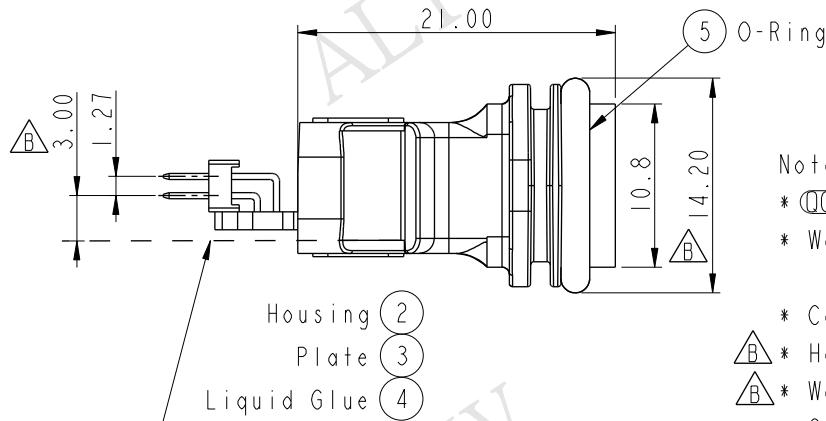
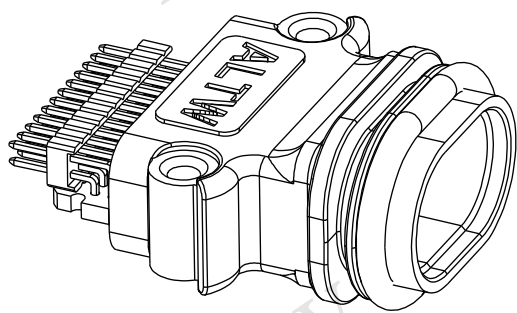
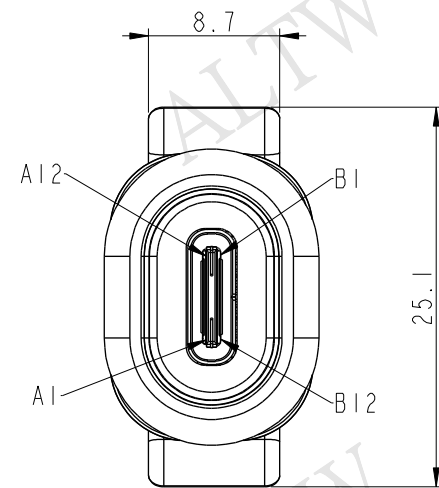
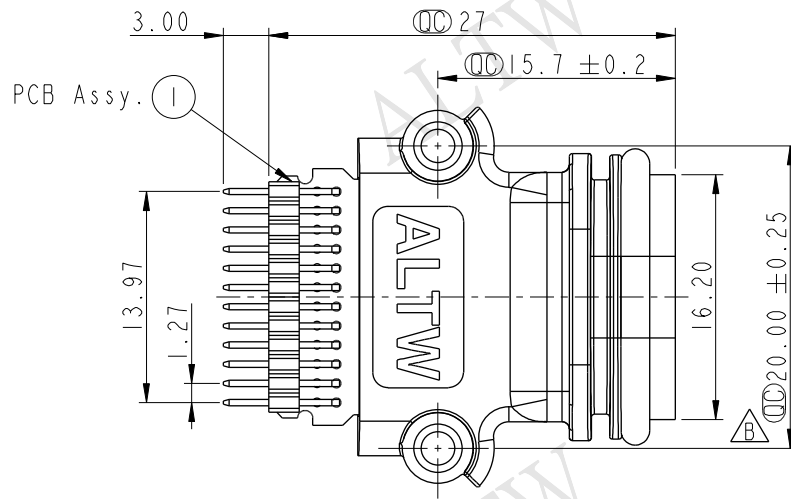
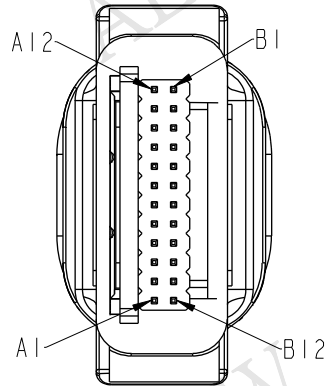
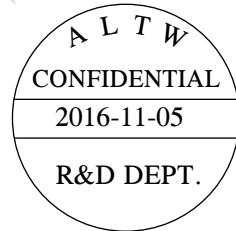


REV.	ECN NO.	DATE	SIGN	DESCRIPTION
A	Initial release	2016/05/10	Doreen	New ITEM.
B	LE316B0101	2016/10/21	Cheng	Change Note, Change Dimensions



Surface of Screw Post



- Note:
- * \varnothing Important Dimension
 - * Waterproof Rate: IP68(Unmated)
(Under water 1M, 24H)
 - * Connector: USB Type C Female
 - * Housing: Nylon+25%GF, UL94 V-0,F1, Black
 - * Wafer: 24Pin Header, Dual Row, Pitch=1.27mm
 - * O-Ring: Silicone, Gray
 - * Panel Thickness max: 4.0mm
 - * All Parts Are RoHS Compliant

UNIT: mm		
TOLERANCE	.X ±0.25	
	.XX ±0.1	
	.XXX ±0.05	
ANGLES	±1°	

TITLE USB USB 3.1 TYPE C JACK			
SCALE 2:1	SIZE A4	SHEET 1 OF 2	
REV. B	WC-REV. A.28	\varnothing : Inspection item	

Amphenol LTW
安費諾亮泰企業股份有限公司

ITEM NO. UC-31PFFP-QS8001	DRAWN BY Cheng	DATE 2016/10/21
DWG NO. UC-31PFFP-QS8001	CHECKED BY Jush	DATE 2016/10/21
CUSTOMER ALTW	APPROVED BY Max	DATE 2016/10/21

THIS DOCUMENT IS SUBJECT TO CHANGE WITHOUT NOTICE. IT IS CONFIDENTIAL AND A PROPERTY OF Amphenol LTW. DISCLOSURE TO THIRD PARTY HAS TO BE AUTHORIZED BY Amphenol LTW.