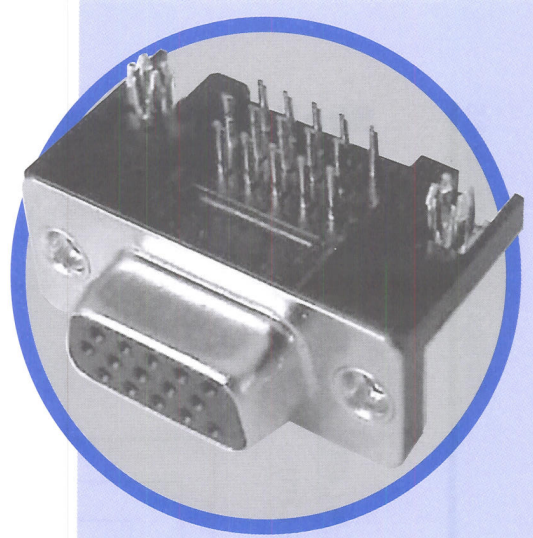


# HT

## D-Sub connectors - Stamped and Formed Contacts

### RIGHT ANGLE HIGH TEMPERATURE AND HIGH DENSITY CONNECTORS



CHARACTERISTICS

#### Specifications

- Connectors according to MIL C24308

Materials and Platings	
<b>Shell</b>	Steel with nickel plating
<b>Insulator</b>	Glass filled thermoplastic, UL 94V-0
<b>Contacts</b>	Copper alloy, selective gold plating
<b>Rear insert</b>	Brass with nickel plating
<b>Screwlock</b>	Brass with nickel plating
<b>Grounding clip</b>	Copper alloy with tin plating

Electrical Data	
<b>Current rating</b>	5A
<b>Voltage rating</b>	600V AC/rms 50Hz
<b>Withstanding voltage</b>	1000V AC/rms 50Hz for one minute
<b>Insulation resistance</b>	5000MΩ
<b>Contact resistance</b>	10mΩ max

Climatic Data	
<b>Operating temperature</b>	-55°C to +150°C, resist to short term (30s) at 260°C

Mechanical Data		
<b>Mating and unmating force</b>		
Unit: kg ( lb)		
No. of Cts	Mate (max)	Unmate (min)
15	3.81 (8.42)	0.52 (1.14)
26	5.95 (13.16)	1.05 (2.32)
44	9.26 (20.46)	1.37 (3.02)
62	13.48 (29.78)	1.76 (3.88)
<b>Standard plating thicknesses</b>		
• gold flash		
• 0.76 μm (30μ") gold		

DESCRIPTION

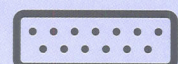
The Amphenol "HT" series allows the customers to use through hole connectors with reflow soldering process.

This series gives you Amphenol's high standards of quality and reliability to meet of your commercial requirements

*Economical  
right angle PCB,  
high temperature  
connectors*

APPLICATIONS

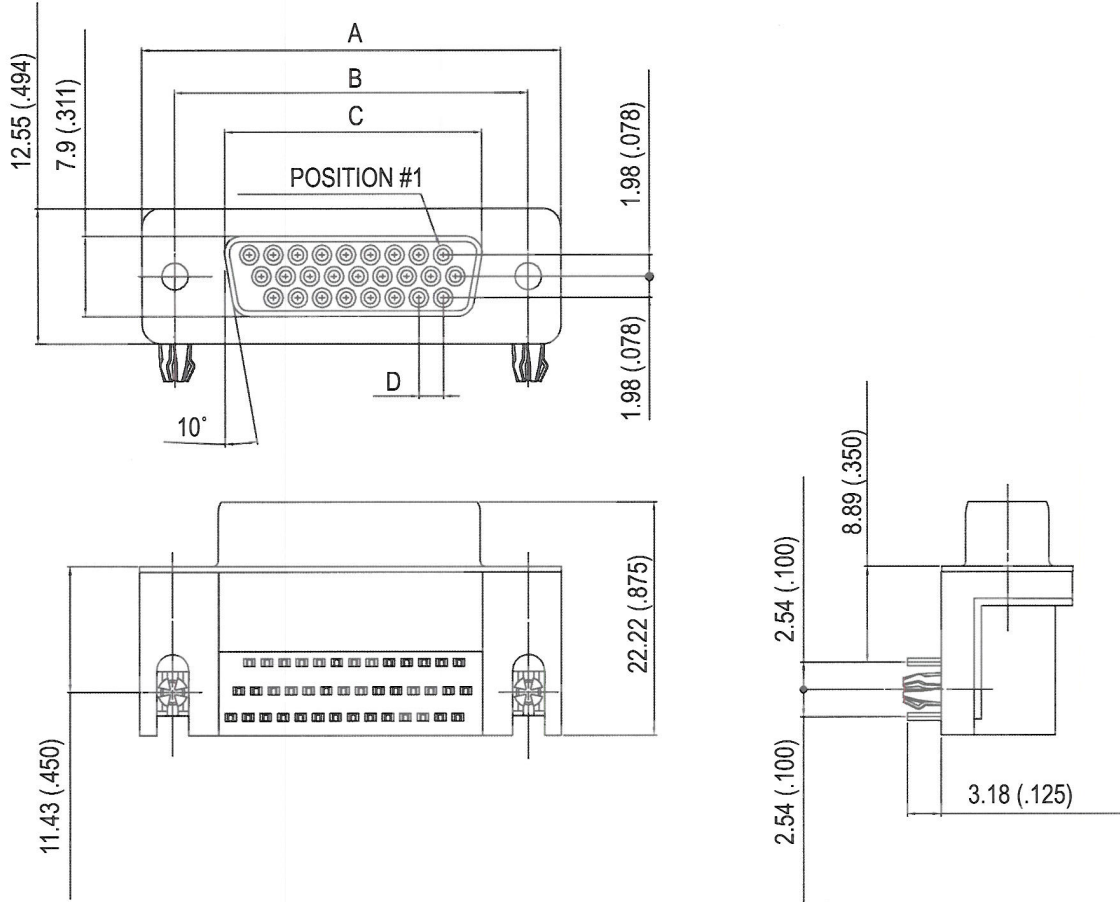
- Industrial
- Telecom
- Any industry standard I / O connections



**Amphenol**

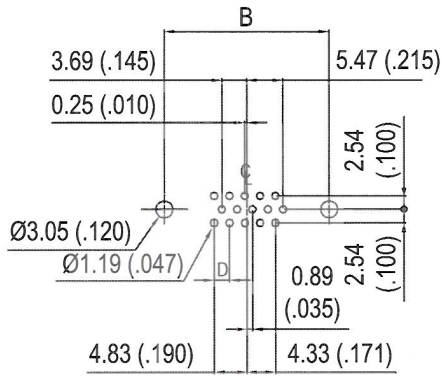
HT / E14

## Shell size dimensions

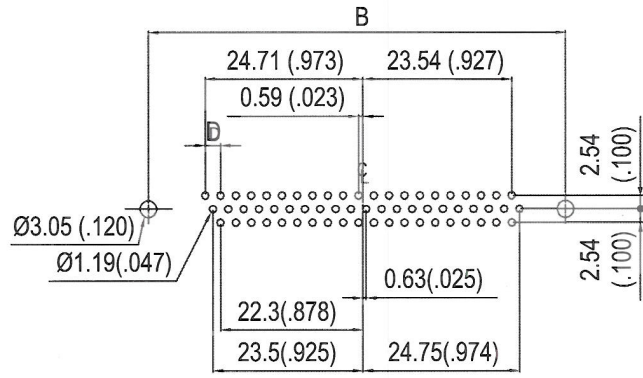


Nb OF CONTACTS	Dimensions mm (inch)			
	A	B	C	D
15	30.84 (1.214)	24.99 (.984)	16.26 (.640)	2.29 (.090)
26	39.24 (1.545)	33.32 (1.312)	24.56 (.967)	2.29 (.090)
44	53.04 (2.088)	47.04 (1.852)	38.30 (1.508)	2.29 (.090)
62	69.34 (2.730)	63.50 (2.500)	54.76 (2.156)	2.41 (.095)

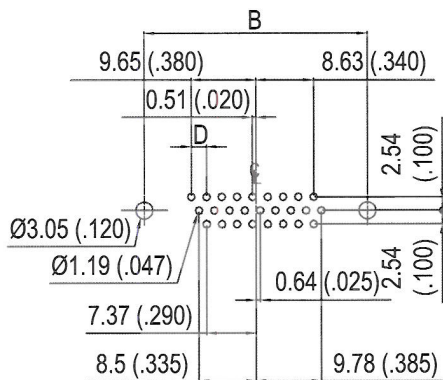
## P.C.B. Layout



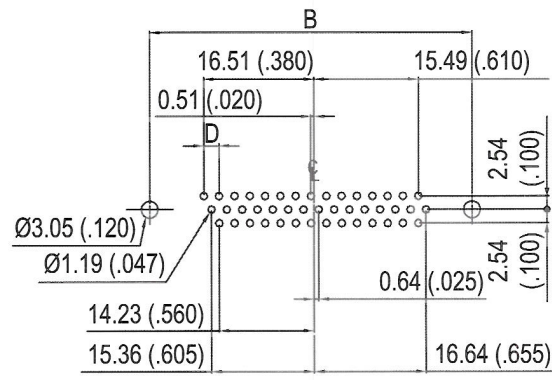
15 PIN



62 PIN

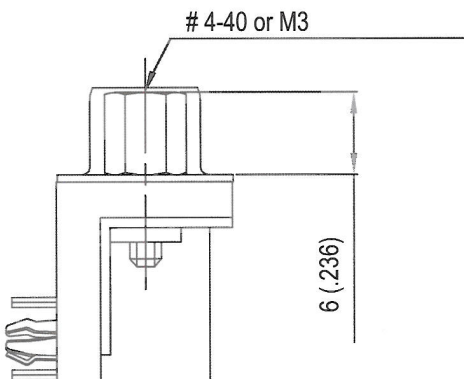


26 PIN

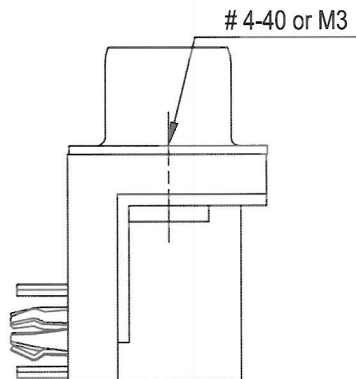


44 PIN

## Panel mounting option

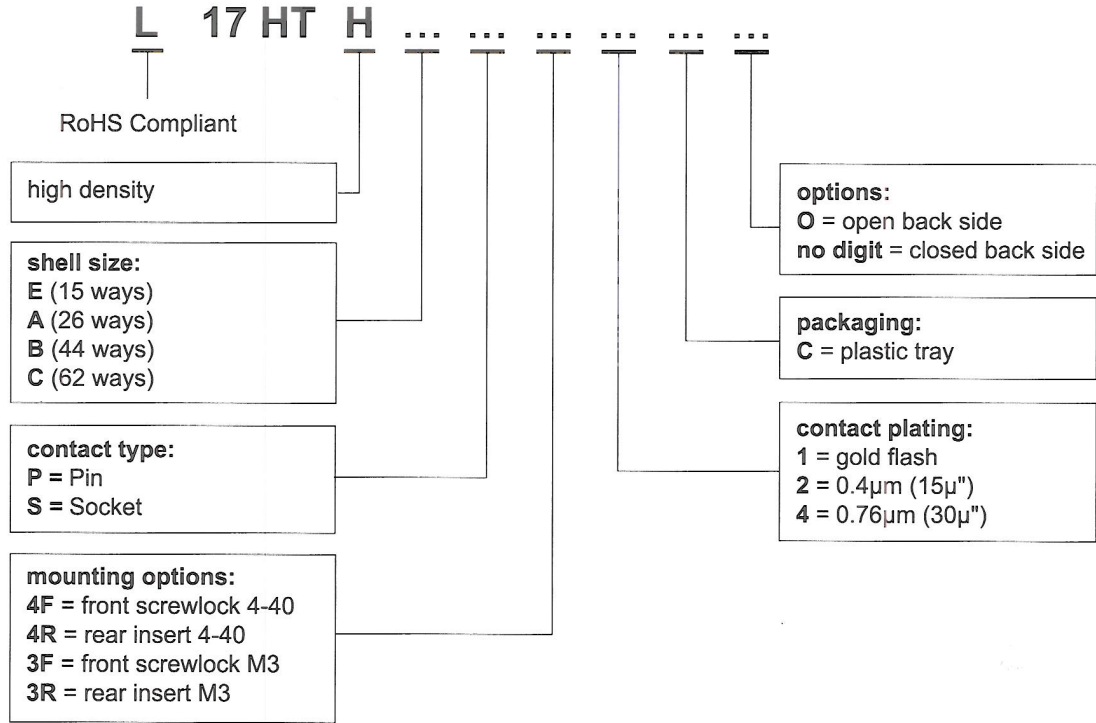


Front female screwlock  
4F/3F



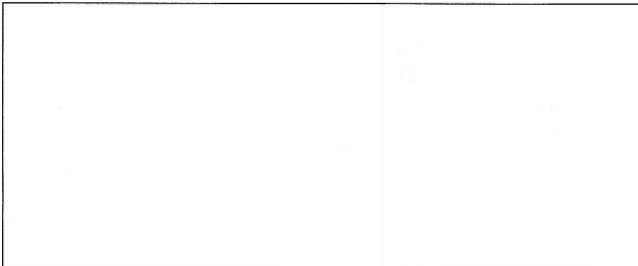
Threaded rear insert  
4F/3F

## How to order



*For special request, please consult factory*

Do not hesitate to contact us for further information



# Amphenol

**Amphenol IT & Communication Products**

Block A3/A4, The 4th Industrial District of  
 Industrial Headquarters, Dong Keng Road  
 Gong Ming Town, Shen Zhen China  
 Fax: +86(0)755 2754 9955

**Technical Support**

Tel: +86(0)755 2717 7945  
 Info-dsub@amphenol.com.cn  
<http://www.dsubconnector.com>