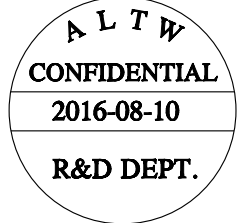
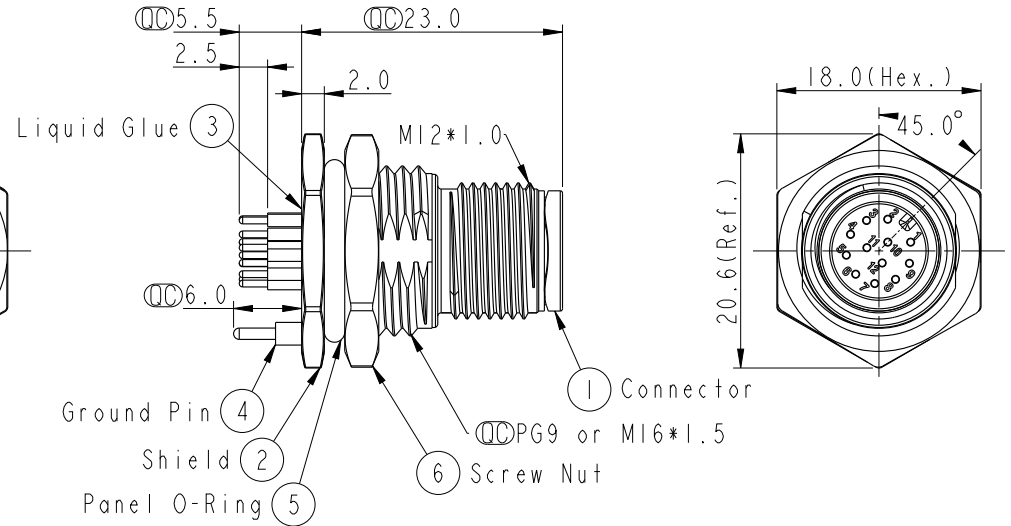
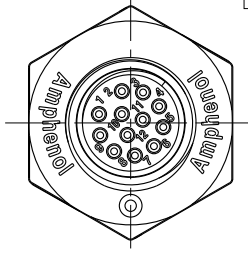
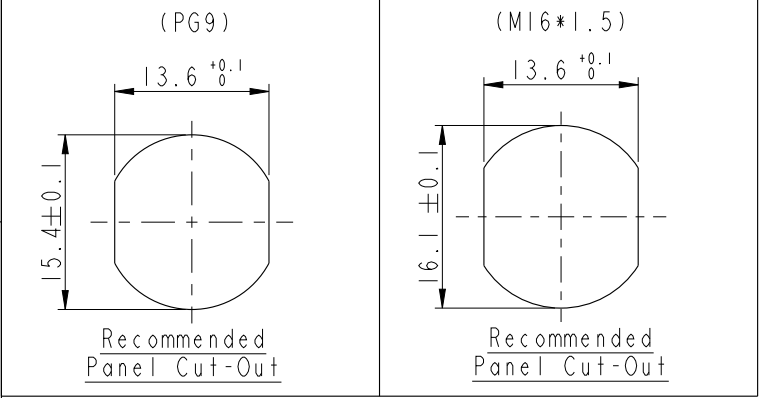
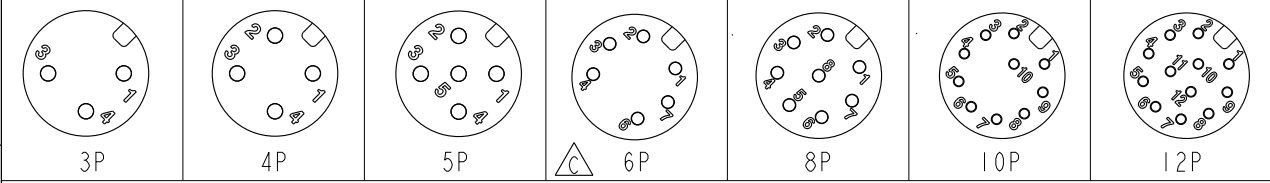


THIS DOCUMENT IS SUBJECT TO CHANGE WITHOUT NOTICE. IT IS CONFIDENTIAL AND A PROPERTY OF Amphenol LTW. DISCLOSURE TO THIRD PARTY HAS TO BE AUTHORIZED BY Amphenol LTW.

REV.	ECN NO.	DATE	SIGN	DESCRIPTION
B	LEN1570246~251 LE31570226~231	2015/07/21	Yulong_wang	Change to Share Drawing.
C	LEN1680426~437	2016/08/10	Yulong_wang	Add 6Pin & IP69K.



- Note:
- * \varnothing Important Dimension.
 - * Waterproof Rate: IP68, IP69K.
 - * Housing: Nylon+GF, Black.
 - * Male Pin: Copper Alloy, Gold Plated.
 - * Shield: Zinc Alloy, Nickel Plated.
 - * Ground Pin: Copper Alloy, Gold Plated.
 - * Screw Nut: Zinc Alloy, Nickel Plated.
 - * Panel O-Ring: Viton, Black.
 - * Rated Voltage: 3 & 4Pin 250V dc. or ac.
5Pin 60V dc. or ac.
6~12Pin 30V dc. or ac.
 - * Rated Current: 3~5Pin 4A
6~8Pin 2A
10~12Pin 1.5A
 - * Operating Temperature: -40~105°C
 - * For Panel Thickness Max 4.5mm.
 - * Recommended Nut Torque: 4~6 Kgf.cm.



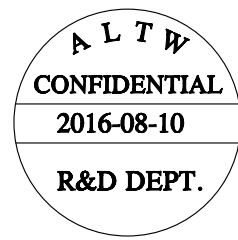
Pin Assignment Front View

UNIT: mm			TITLE M12 A-Code Male Conn. PCB Type Shielded
TOLERANCE .X ±0.25 .XX ±0.1 .XXX ±0.05 ANGLES ±1°	SCALE 2:1	SIZE A4	SHEET 1 OF 2
REV. C	WC-REV. A.5	\varnothing : Inspection item	

Amphenol LTW
安費諾亮泰企業股份有限公司

ITEM NO.	DRAWN BY Yulong_wang	DATE 2016-08-10
DWG NO. MSAS-XXPMPM-SF8XXX	CHECKED BY Jinhai	DATE 2016-08-10
CUSTOMER ALTW	APPROVED BY Jerry	DATE 2016-08-10

THIS DOCUMENT IS SUBJECT TO CHANGE WITHOUT NOTICE. IT IS CONFIDENTIAL AND A PROPERTY OF Amphenol LTW. DISCLOSURE TO THIRD PARTY HAS TO BE AUTHORIZED BY Amphenol LTW.



M SAS - XX P M M P - S F 8 XXX

SAS: A-Code Shielded

03: 3Pin
 04: 4Pin
 05: 5Pin
 06: 6Pin
 08: 8Pin
 10: 10Pin
 12: 12Pin

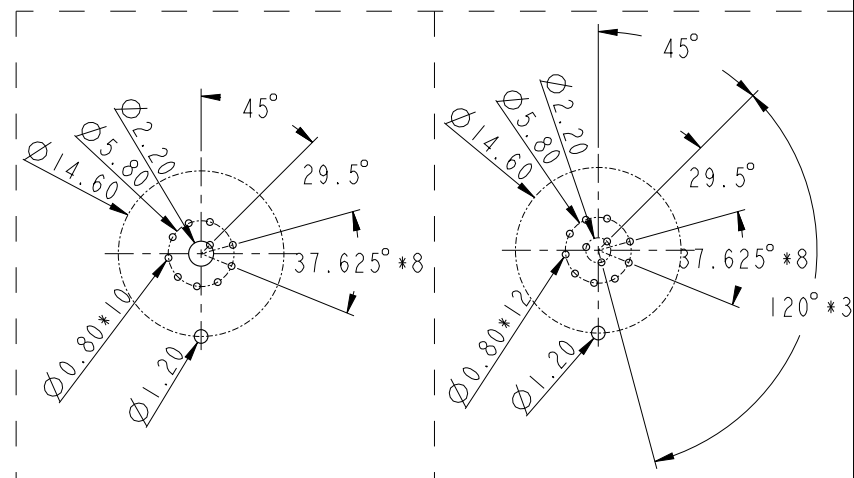
P: Panel (板端)
 M: Male Connector (公座)

001: PG9
 002: M16*1.5

8: IP68/69K (防水等級68/69K)

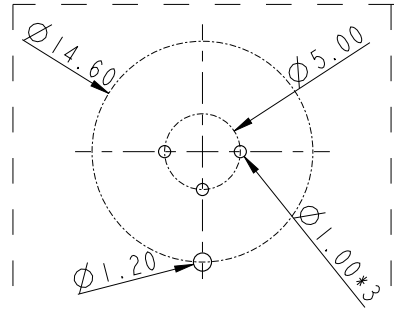
F: Front Fasten (前鎖式/Enclosure Rear Mount)
 S: Screw (螺紋式)

P: PCB THT/DIP Type (180° 基板插件式)
 M: Male Pin (公Pin)

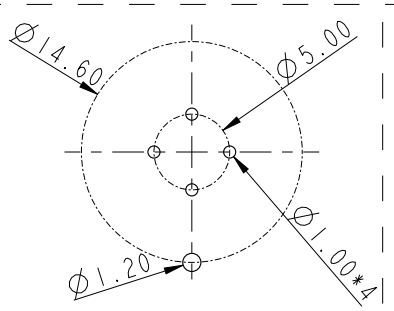


PCB Layout (10P)

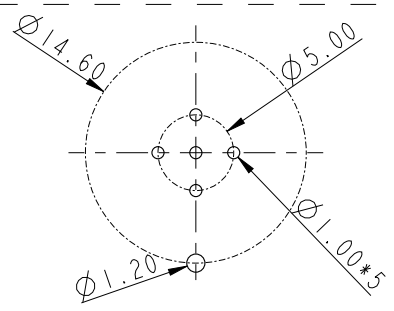
PCB Layout (12P)



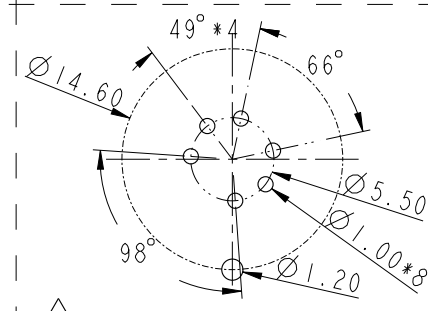
PCB Layout (3P)



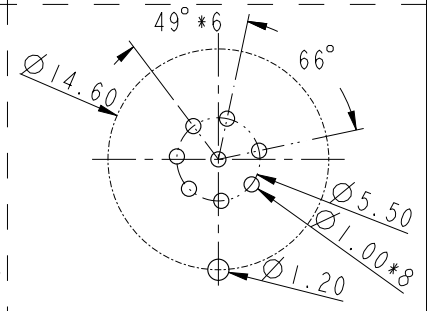
PCB Layout (4P)



PCB Layout (5P)



PCB Layout (6P)



PCB Layout (8P)

UNIT: mm		
TOLERANCE	.X ±0.25	.XX ±0.1
.XXX ±0.05	ANGLES ±1°	

TITLE M12 A-Code Male Conn. PCB Type Shielded		
SCALE 2:1	SIZE A4	SHEET 2 OF 2
REV. C	WC-REV. A.4	: Inspection item

Amphenol LTW
 安費諾亮泰企業股份有限公司

ITEM NO	DRAWN BY Yulong_wang	DATE 2016-08-10
DWG NO MSAS-XXPMPM-SF8XXX	CHECKED BY Jinhai	DATE 2016-08-10
CUSTOMER ALTW	APPROVED BY Jerry	DATE 2016-08-10

DATE 2016-08-10
DATE 2016-08-10
DATE 2016-08-10