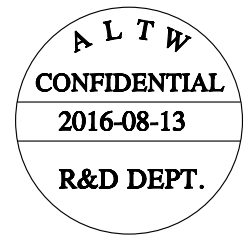
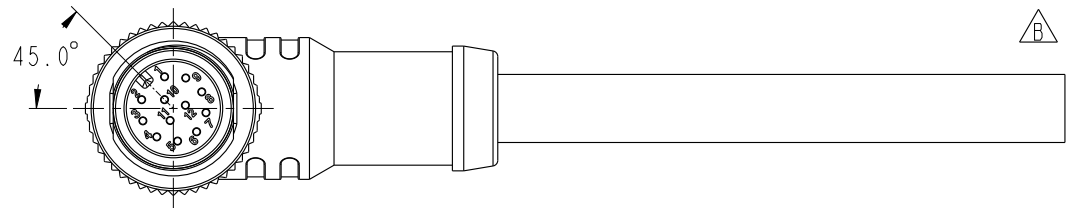
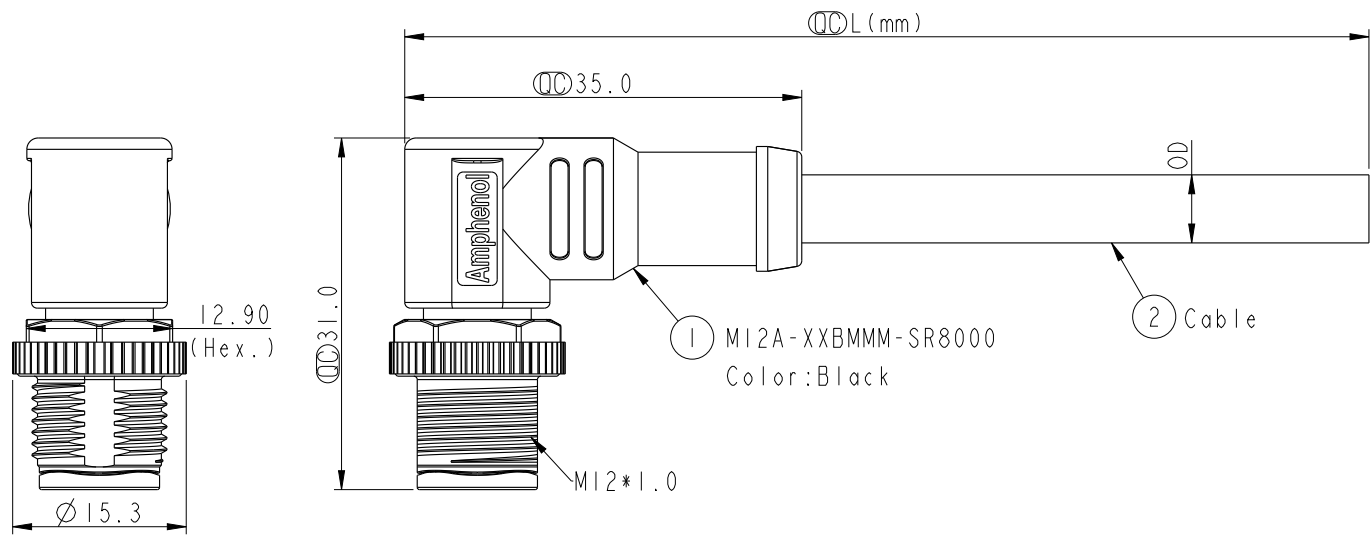


REV.	ECN NO.	DATE	SIGN	DESCRIPTION
B	LEN1580166-177	2015/08/10	Feng_Li	Add Black PVC Cable
C	LEN1680686-703	2016/08/13	Yulong_wang	Add 6Pin & IP69K.



- Notes:
- * \varnothing Important Dimension.
 - $\triangle C$ * Waterproof Rate: IP68, IP69K.
 - * Connector: PU+GF, Black.
 - * Male Pin: Copper Alloy, Gold Plated.
 - * Screw Nut: Zinc Alloy, Nickel Plated.
 - * Outer Mold: PU, Black.
 - $\triangle B$ * Cable: (A) UL2517, PVC Jacket, Yellow.
(B) UL20549, PUR Jacket, Black.
(D) UL2517, PVC Jacket, Black.
 - * Rated Voltage: 3 & 4Pin 250V dc. or ac.
5Pin 60V dc. or ac.
6~12Pin 30V dc. or ac.
 - * Rated Current: 3~5Pin 4A
6~8Pin 2A
10~12Pin 1.5A
 - * Operating Temperature: -25~85°C
 - * Cable Length Tolerance: 01M:±40mm
02M~05M:±60mm
06M~10M:±100mm
11M~30M:±200mm

UNIT:mm
TOLERANCE
±0.5mm

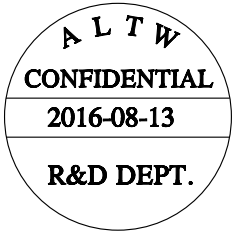
TITLE M12 A Type 90° Male Conn.			
SCALE 3:2	SIZE A4	SHEET 1 OF 3	
REV. C	WC-REV. A.1	\varnothing : Inspection item	

Amphenol LTW
安費諾亮泰企業股份有限公司

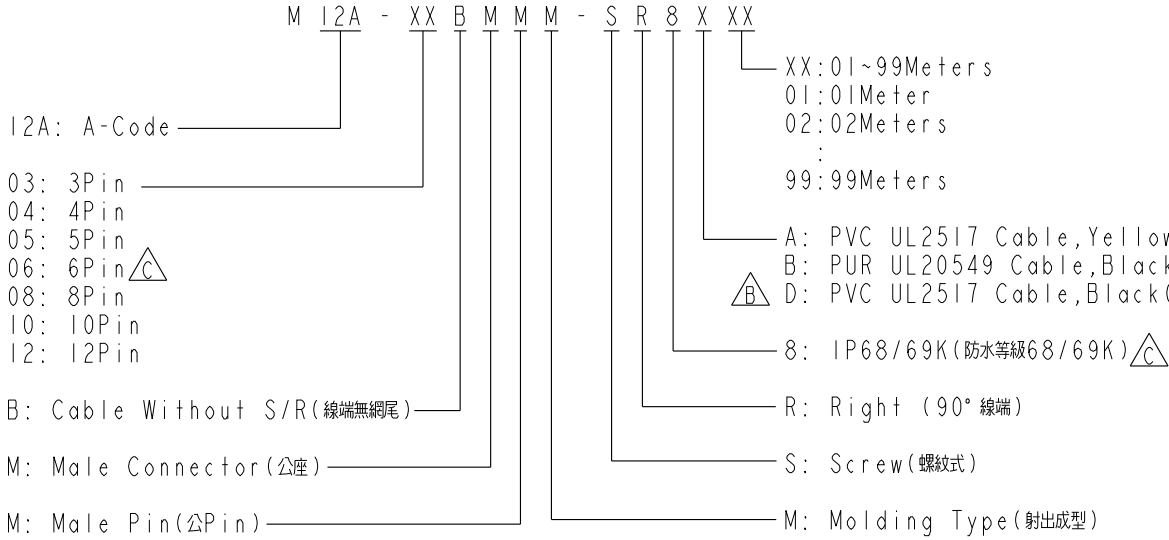
ITEM NO	DRAWN BY Yulong_wang	DATE 2016-08-13
DWG NO M12A-XXBMMM-SR8XXX	CHECKED BY Jinhai	DATE 2016-08-13
CUSTOMER ALTW	APPROVED BY Jerry	DATE 2016-08-13

THIS DOCUMENT IS SUBJECT TO CHANGE WITHOUT NOTICE. IT IS CONFIDENTIAL AND A PROPERTY OF Amphenol LTW. DISCLOSURE TO THIRD PARTY HAS TO BE AUTHORIZED BY Amphenol LTW.

F
E
D
C
B
A



Contacts	Cable Jacket	Cable OD	AWG	Item No.	
△B	PVC	12P	6.0	26	M12A-12BMMM-SR8DXX
		10P			M12A-10BMMM-SR8DXX
△C	PVC	8P	5.5	24	M12A-08BMMM-SR8DXX
		6P	5.0		M12A-06BMMM-SR8DXX
	PUR	5P	5.1		M12A-05BMMM-SR8DXX
		4P	4.8	22	M12A-04BMMM-SR8DXX
	PVC	3P	4.5		M12A-03BMMM-SR8DXX
		12P	6.0	26	M12A-12BMMM-SR8BXX
	PUR	10P			M12A-10BMMM-SR8BXX
		8P	5.5	24	M12A-08BMMM-SR8BXX
△C	PUR	6P	5.0		M12A-06BMMM-SR8BXX
		5P	5.1		M12A-05BMMM-SR8BXX
	PVC	4P	4.8	22	M12A-04BMMM-SR8BXX
		3P	4.5		M12A-03BMMM-SR8BXX
	PVC	12P	6.0	26	M12A-12BMMM-SR8AXX
		10P			M12A-10BMMM-SR8AXX
△C	PVC	8P	5.5	24	M12A-08BMMM-SR8AXX
		6P	5.0		M12A-06BMMM-SR8AXX
	PUR	5P	5.1		M12A-05BMMM-SR8AXX
		4P	4.8	22	M12A-04BMMM-SR8AXX
	PVC	3P	4.5		M12A-03BMMM-SR8AXX



UNIT:mm	
TOLERANCE	±0.5mm

TITLE M12 A Type 90° Male Conn.			
SCALE 3:2	SIZE A4	SHEET 2 OF 3	
REV. C	WC-REV. A.1	QC: Inspection item	

Amphenol LTW
安費諾亮泰企業股份有限公司

ITEM NO	DRAWN BY Yulong_wang	DATE 2016-08-13
DWG NO M12A-XXBMMM-SR8XXX	CHECKED BY Jinhai	DATE 2016-08-13
CUSTOMER ALTW	APPROVED BY Jerry	DATE 2016-08-13

THIS DOCUMENT IS SUBJECT TO CHANGE WITHOUT NOTICE. IT IS CONFIDENTIAL AND A PROPERTY OF AMPHENOL LTW. DISCLOSURE TO THIRD PARTY HAS TO BE AUTHORIZED BY AMPHENOL LTW.

