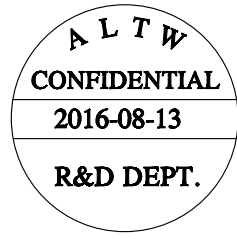
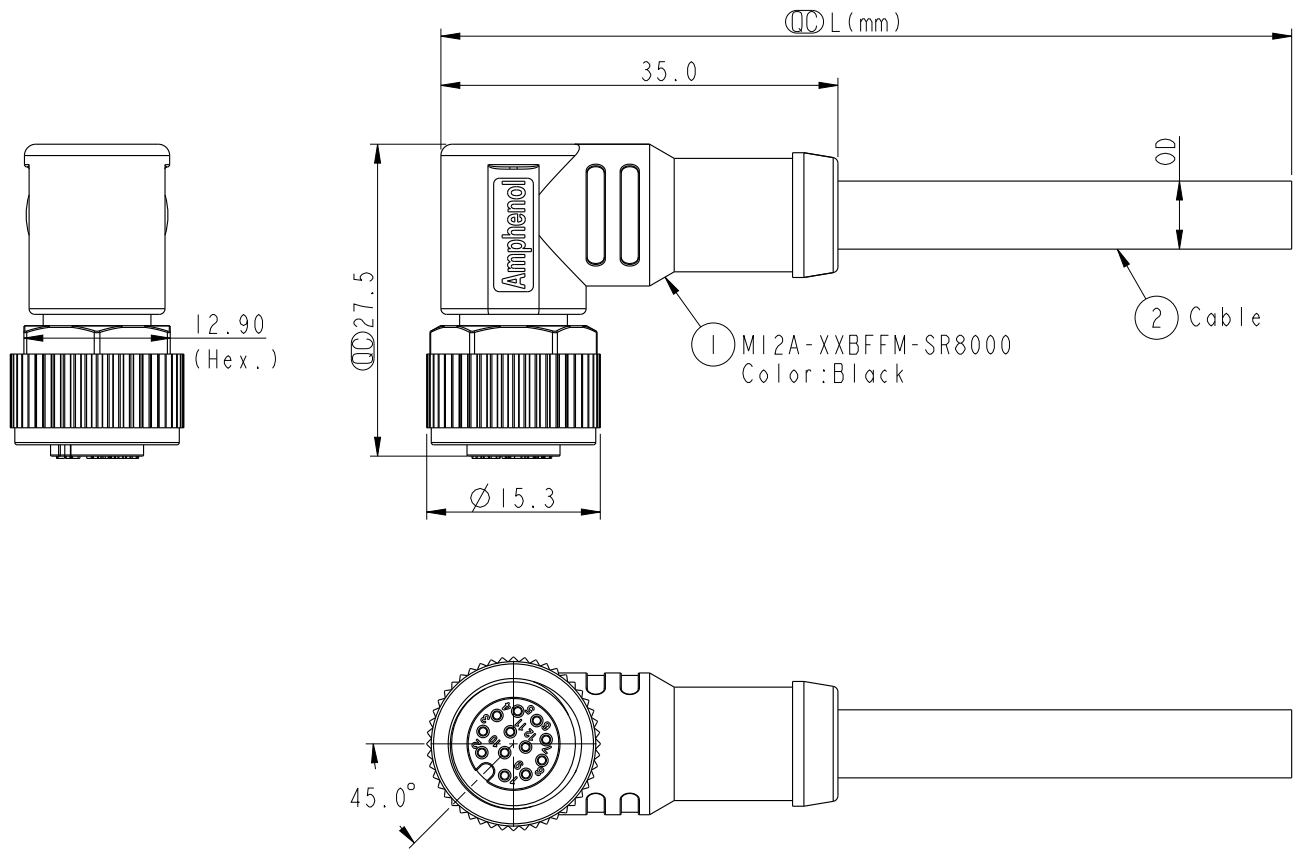


REV.	ECN NO.	DATE	SIGN	DESCRIPTION
B	LEN1580142 ~153	2015/08/10	Feng_Li	Add Black PVC Cable
C	LEN1680662~679	2016/08/13	Yulong_wang	Add 6Pin & IP69K.



Notes:

- * \varnothing Important Dimension.
- $\triangle C$ * Waterproof Rate: IP68, IP69K.
- * Connector: PU+GF,Black.
- * Female Pin: Copper Alloy, Gold Plated.
- * Screw Nut: Zinc Alloy, Nickel Plated.
- * Outer Mold: PU,Black.
- $\triangle B$ * Cable: (A) UL2517,PVC Jacket,Yellow.
(B) UL20549,PUR Jacket,Black.
(D) UL2517,PVC Jacket,Black.
- * Rated Voltage: 3 & 4Pin 250V dc. or ac.
5Pin 60V dc. or ac.
6~12Pin 30V dc. or ac.
- * Rated Current: 3~5Pin 4A
6~8Pin 2A
10~12Pin 1.5A
- * Operating Temperature: -25~85°C
- * Cable Length Tolerance: 01M:±40mm
02M~05M:±60mm
06M~10M:±100mm
11M~30M:±200mm
31M~99M:±500mm

UNIT:mm		
TOLERANCE ±0.5mm		

TITLE M12 A Type Cable 90° Female Conn.		
SCALE 3:2	SIZE A4	SHEET 1 OF 3
REV. C	WC-REV. A.2	\varnothing : Inspection item

Amphenol LTW
安費諾亮泰企業股份有限公司

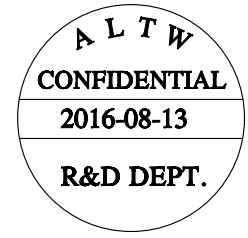
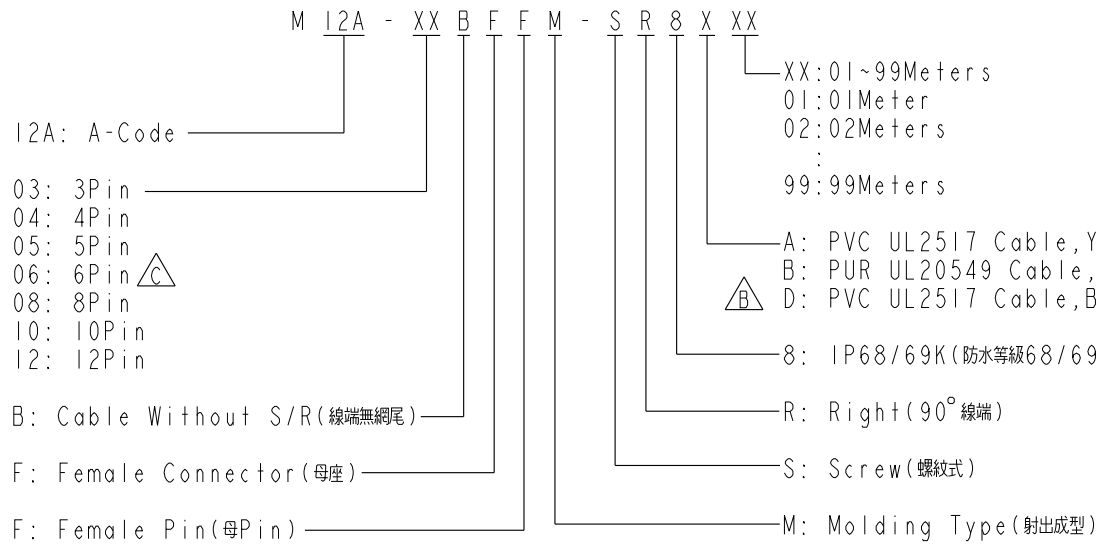
ITEM NO	DRAWN BY Yulong_wang	DATE 2016-08-13
DWG NO M12A-XXBFFM-SR8XXX	CHECKED BY Jinhai	DATE 2016-08-13
CUSTOMER ALTW	APPROVED BY Jerry	DATE 2016-08-13

THIS DOCUMENT IS SUBJECT TO CHANGE WITHOUT NOTICE. IT IS CONFIDENTIAL AND A PROPERTY OF Amphenol LTW. DISCLOSURE TO THIRD PARTY HAS TO BE AUTHORIZED BY Amphenol LTW.

F
E
D
C
B
A



Contacts	Cable Jacket	Cable OD	AWG	Item No.	
△B	PVC	12P	6.0	26	M12A-12BFFM-SR8DXX
		10P			M12A-10BFFM-SR8DXX
△C	PVC	8P	5.5	24	M12A-08BFFM-SR8DXX
		6P	5.0		M12A-06BFFM-SR8DXX
	PUR	5P	5.1		M12A-05BFFM-SR8DXX
		4P	4.8	22	M12A-04BFFM-SR8DXX
	PVC	3P	4.5		M12A-03BFFM-SR8DXX
		12P	6.0	26	M12A-12BFFM-SR8BXX
△C	PUR	10P			M12A-10BFFM-SR8BXX
		8P	5.5	24	M12A-08BFFM-SR8BXX
	PVC	6P	5.0		M12A-06BFFM-SR8BXX
		5P	5.1		M12A-05BFFM-SR8BXX
	PUR	4P	4.8	22	M12A-04BFFM-SR8BXX
		3P	4.5		M12A-03BFFM-SR8BXX
△C	PVC	12P	6.0	26	M12A-12BFFM-SR8AXX
		10P			M12A-10BFFM-SR8AXX
	PUR	8P	5.5	24	M12A-08BFFM-SR8AXX
		6P	5.0		M12A-06BFFM-SR8AXX
	PVC	5P	5.1		M12A-05BFFM-SR8AXX
		4P	4.8	22	M12A-04BFFM-SR8AXX
	PUR	3P	4.5		M12A-03BFFM-SR8AXX



UNIT:mm		TITLE
TOLERANCE	±0.5mm	M12 A Type Cable 90° Female Conn.
SCALE	3:2	SIZE A4
REV.	C	WC-REV. A.2
		◎◎: Inspection item

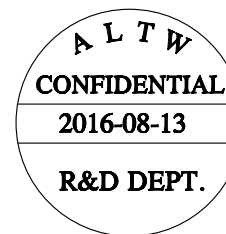
Amphenol LTW
安費諾亮泰企業股份有限公司

ITEM NO	DRAWN BY	DATE
DWG NO	CHECKED BY	DATE
CUSTOMER	APPROVED BY	DATE

Yulong_wang 2016-08-13
Jinhai 2016-08-13
Jerry 2016-08-13

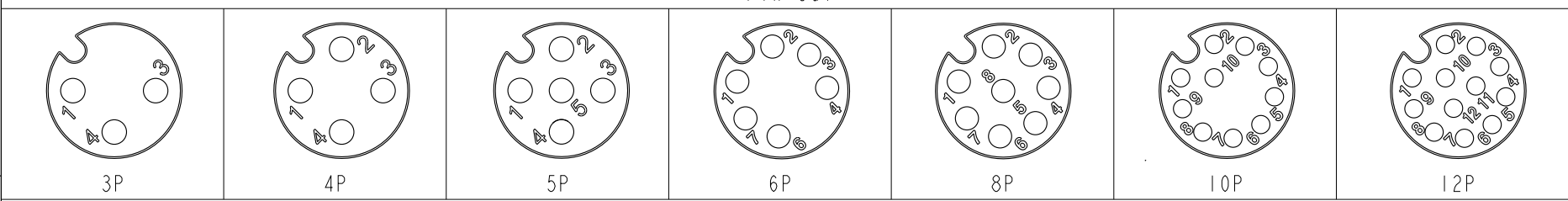
THIS DOCUMENT IS SUBJECT TO CHANGE WITHOUT NOTICE. IT IS CONFIDENTIAL AND A PROPERTY OF Amphenol LTW. DISCLOSURE TO THIRD PARTY HAS TO BE AUTHORIZED BY Amphenol LTW.

THIS DOCUMENT IS SUBJECT TO CHANGE WITHOUT NOTICE. IT IS CONFIDENTIAL AND A PROPERTY OF Amphenol LTW. DISCLOSURE TO THIRD PARTY HAS TO BE AUTHORIZED BY Amphenol LTW.



5	--		5	--		5	Gray	灰	5	--		12	--		12	Red/Blue	紅/藍
4	Black	黑	4	Black	黑	4	Black	黑	4	Black	黑	11	--		11	Gray/Pink	灰/粉
3	Blue	藍	3	Blue	藍	3	Blue	藍	3	Blue	藍	10	Violet	紫	10	Violet	紫
2	--		2	White	白	2	White	白	2	White	白	9	Black	黑	9	Black	黑
1	Brown	棕	1	Brown	棕	1	Brown	棕	1	White	白	8	Red	紅	8	Red	紅
												7	Blue	藍	7	Blue	藍
												6	Pink	粉	6	Pink	粉
												5	Gray	灰	5	Gray	灰
												4	Yellow	黃	4	Yellow	黃
												3	Green	綠	3	Green	綠
												2	Brown	棕	2	Brown	棕
												1	White	白	1	White	白
Pin #	Wire		Pin #	Wire		Pin #	Wire		Pin #	Wire		Pin #	Wire		Pin #	Wire	

Pin Out



Pin Assignments Front View

UNIT:mm TOLERANCE ±0.5mm	 	TITLE M12 A Type Cable 90° Female Conn.			<h1>Amphenol LTW</h1> 安費諾亮泰企業股份有限公司	ITEM NO	DRAWN BY	DATE
		SCALE 3:2	SIZE A4	SHEET 3 OF 3		DWG NO M12A-XXBFFM-SR8XXX	CHECKED BY Jinhai	DATE 2016-08-13
		REV. C	WC-REV. A.2	QC: Inspection item		CUSTOMER ALTW	APPROVED BY Jerry	DATE 2016-08-13