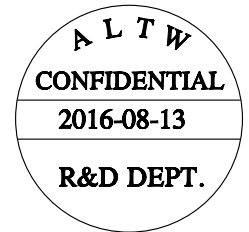
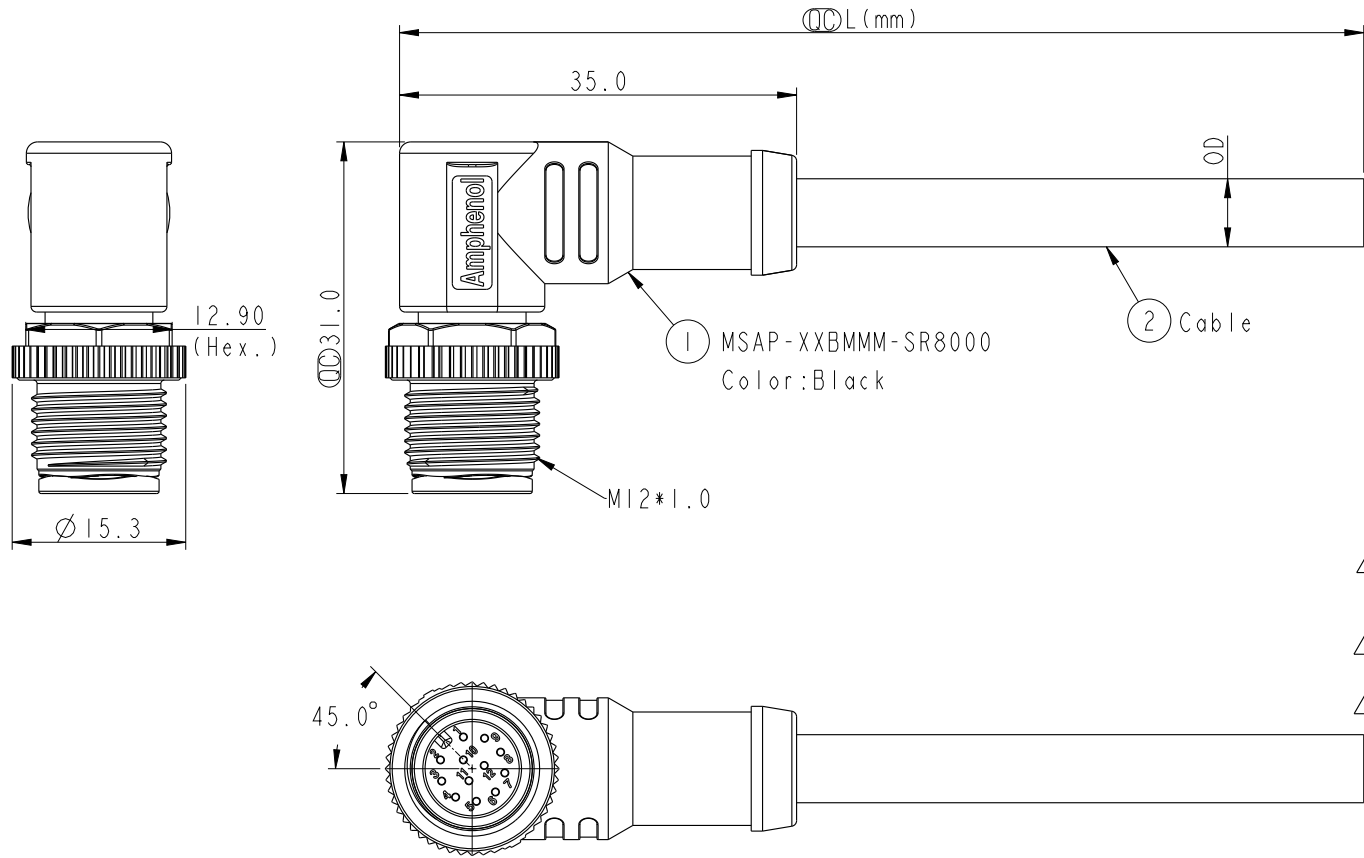


REV.	ECN NO.	DATE	SIGN	DESCRIPTION
B	LEN1580235-246	2015/08/10	Feng_Li	Add Black PVC Cable
C	LEN1680704-721	2016/08/13	Yulong_wang	Add 6Pin & IP69K.



Notes:

- * ⌀ Important Dimension.
- * $\triangle C$ Waterproof Rate: IP68, IP69K.
- * Connector: PU+GF, Black.
- * Male Pin: Copper Alloy, Gold Plated.
- * $\triangle B$ Screw Nut: Nylon, Black..
- * Outer Mold: PU, Black.
- * $\triangle B$ Cable: (A) UL2517, PVC Jacket, Yellow.
(B) UL20549, PUR Jacket, Black.
(D) UL2517, PVC Jacket, Black.
- * Rated Voltage: 3 & 4Pin 250V dc. or ac.
5Pin 60V dc. or ac.
6~12Pin 30V dc. or ac.
- * Rated Current: 3~5Pin 4A
6~8Pin 2A
10~12Pin 1.5A
- * Operating Temperature: -25~85°C
- * Cable Length Tolerance: 01M:±40mm
02M~05M:±60mm
06M~10M:±100mm
11M~30M:±200mm

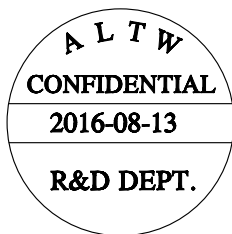
UNIT: mm		
TOLERANCE		
±0.5mm		

TITLE M12 A Type 90° Male Conn.			
SCALE 3:2	SIZE A4	SHEET 1 OF 3	
REV. C	WC-REV. A.1	⌀ : Inspection item	

Amphenol LTW
安費諾亮泰企業股份有限公司

ITEM NO	DRAWN BY Yulong_wang	DATE 2016-08-13
DWG NO MSAP-XXBMMM-SR8XXX	CHECKED BY Jinhai	DATE 2016-08-13
CUSTOMER ALTW	APPROVED BY Jerry	DATE 2016-08-13

THIS DOCUMENT IS SUBJECT TO CHANGE WITHOUT NOTICE. IT IS CONFIDENTIAL AND A PROPERTY OF Amphenol LTW. DISCLOSURE TO THIRD PARTY HAS TO BE AUTHORIZED BY Amphenol LTW.



Contacts	Cable Jacket	Cable OD	AWG	Item No.									
△B	PVC	12P	6.0	26	MSAP-12BMMM-SR8DXX								
		10P			MSAP-10BMMM-SR8DXX								
△C		PUR	8P	5.5	24	MSAP-08BMMM-SR8DXX							
			6P			MSAP-06BMMM-SR8DXX							
△C			PVC	5P	5.1	22	MSAP-05BMMM-SR8DXX						
				4P			MSAP-04BMMM-SR8DXX						
				△C	PUR	3P	4.8	22	MSAP-03BMMM-SR8DXX				
						12P			MSAP-12BMMM-SR8BXX				
						△C	PVC	10P	6.0	26	MSAP-10BMMM-SR8BXX		
								8P			MSAP-08BMMM-SR8BXX		
	△C							PUR	6P	5.5	24	MSAP-06BMMM-SR8BXX	
									5P			MSAP-05BMMM-SR8BXX	
		△C							PVC	4P	5.1	22	MSAP-04BMMM-SR8BXX
										3P			MSAP-03BMMM-SR8BXX
△C			PUR							12P	6.0	26	MSAP-12BMMM-SR8AXX
										10P			MSAP-10BMMM-SR8AXX
				△C	PVC					8P	5.5	24	MSAP-08BMMM-SR8AXX
										6P			MSAP-06BMMM-SR8AXX
						△C	PUR			5P	5.1	22	MSAP-05BMMM-SR8AXX
										4P			MSAP-04BMMM-SR8AXX
	△C							PVC		3P	4.8	22	MSAP-03BMMM-SR8AXX
										12P			MSAP-12BMMM-SR8AXX
		△C							PUR	10P	6.0	26	MSAP-10BMMM-SR8AXX
										8P			MSAP-08BMMM-SR8AXX
△C			PVC							6P	5.5	24	MSAP-06BMMM-SR8AXX
										5P			MSAP-05BMMM-SR8AXX
				△C	PUR					4P	5.1	22	MSAP-04BMMM-SR8AXX
										3P			MSAP-03BMMM-SR8AXX

M SAP - XX B M M M - S R 8 X XX

SAP: A-Code Plastic Nut

- 03: 3Pin
- 04: 4Pin
- 05: 5Pin
- 06: 6Pin △C
- 08: 8Pin
- 10: 10Pin
- 12: 12Pin

B: Cable Without S/R (線端無網尾)

M: Male Connector (公座)

M: Male Pin (公Pin)

- XX: 01~99Meters
- 01: 01Meter
- 02: 02Meters
- ...
- 99: 99Meters

- A: PVC UL2517 Cable, Yellow (PVC黃色外被線材)
- B: PUR UL20549 Cable, Black (PUR黑色外被線材)
- D: PVC UL2517 Cable, Black (PVC黑色外被線材) △B

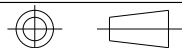
8: IP68/69K (防水等級68/69K) △C

R: Right (90°線端)

S: Screw (螺紋式)

M: Molding Type (射出成型)

UNIT: mm



TOLERANCE

±0.5mm

TITLE

M12 A Type 90° Male Conn.

SCALE 3:2

SIZE A4

SHEET 2 OF 3

REV. C

WC-REV. A.1

QC: Inspection item

Amphenol LTW

安費諾亮泰企業股份有限公司

ITEM NO

DWG NO

MSAP-XXBMMM-SR8XXX

CUSTOMER

ALTW

DRAWN BY

Yulong_wang

CHECKED BY

Jinhai

APPROVED BY

Jerry

DATE

2016-08-13

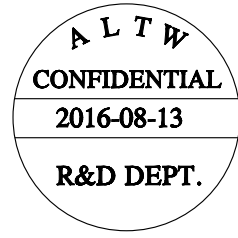
DATE

2016-08-13

DATE

2016-08-13

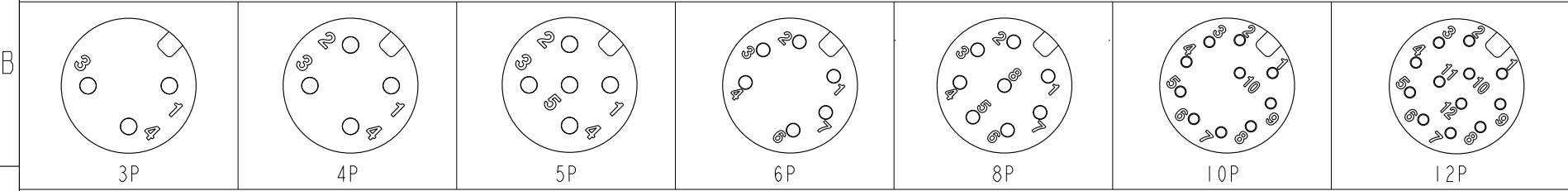
THIS DOCUMENT IS SUBJECT TO CHANGE WITHOUT NOTICE. IT IS CONFIDENTIAL AND A PROPERTY OF Amphenol LTW. DISCLOSURE TO THIRD PARTY HAS TO BE AUTHORIZED BY Amphenol LTW.



1	2	3	4	5	6	7	8
---	---	---	---	---	---	---	---

5 --	5 --	5 Gray	8 --	8 Red	12 --	12 Red/Blue	紅/藍
4 Black 黑	4 Black 黑	4 Black 黑	7 Blue 藍	7 Blue 藍	11 --	11 Gray/Pink 灰/粉	灰/粉
3 Blue 藍	3 Blue 藍	3 Blue 藍	6 Pink 粉	6 Pink 粉	10 Violet 紫	10 Violet 紫	紫
2 --	2 White 白	2 White 白	5 --	5 Gray 灰	9 Black 黑	9 Black 黑	黑
1 Brown 棕	1 Brown 棕	1 Brown 棕	4 Yellow 黃	4 Yellow 黃	8 Red 紅	8 Red 紅	紅
			3 Green 綠	3 Green 綠	7 Blue 藍	7 Blue 藍	藍
			2 Brown 棕	2 Brown 棕	6 Pink 粉	6 Pink 粉	粉
			1 White 白	1 White 白	5 Gray 灰	5 Gray 灰	灰
					4 Yellow 黃	4 Yellow 黃	黃
					3 Green 綠	3 Green 綠	綠
					2 Brown 棕	2 Brown 棕	棕
					1 White 白	1 White 白	白
Pin #	Wire	Wire	Wire	Wire	Wire	Wire	Wire

Pin Out



Pin Assignments Front View

UNIT:mm			TITLE M12 A Type 90° Male Conn.	Amphenol LTW 安費諾亮泰企業股份有限公司	ITEM NO	DRAWN BY Yulong_wang	DATE 2016-08-13
TOLERANCE ±0.5mm	SCALE 3:2	SIZE A4	SHEET 3 OF 3		DWG NO MSAP-XXBMMM-SR8XXX	CHECKED BY Jinhai	DATE 2016-08-13
	REV. C	WC-REV. A.1	Inspection item		CUSTOMER ALTW	APPROVED BY Jerry	DATE 2016-08-13