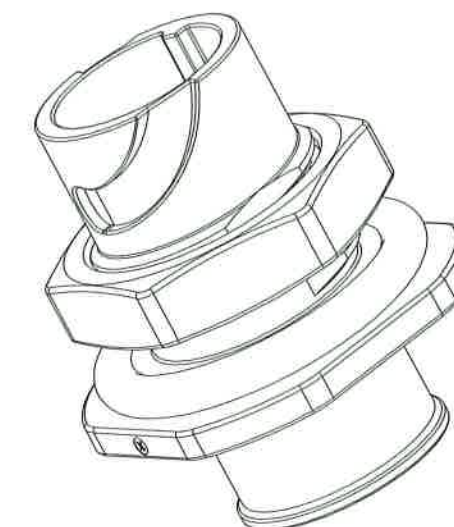
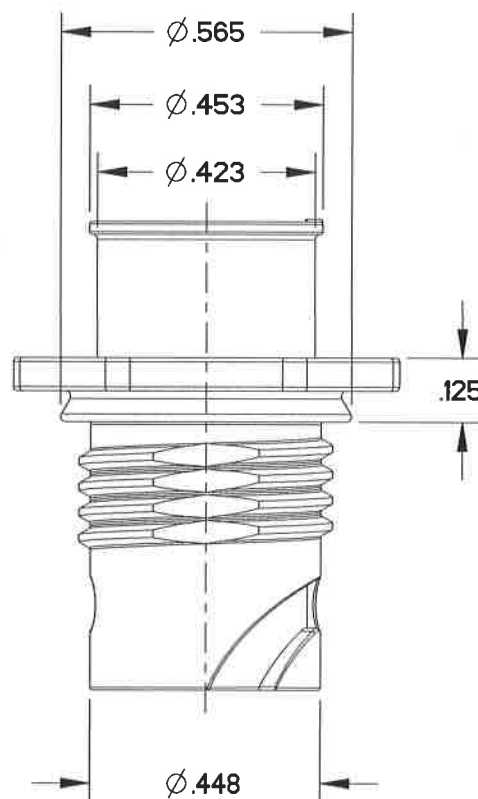
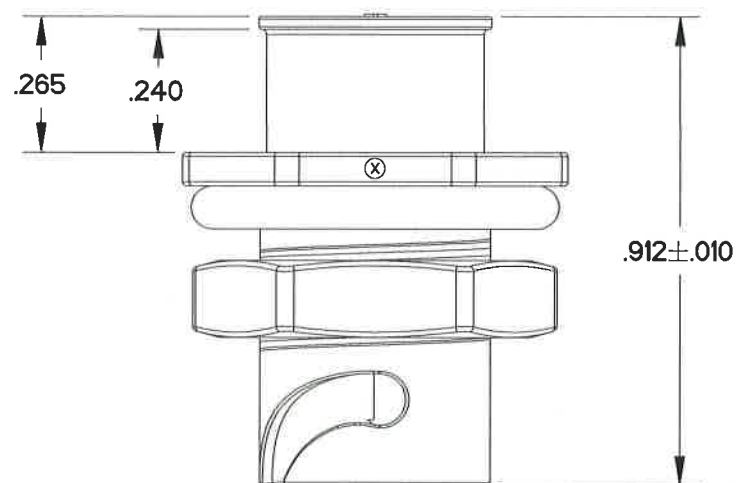
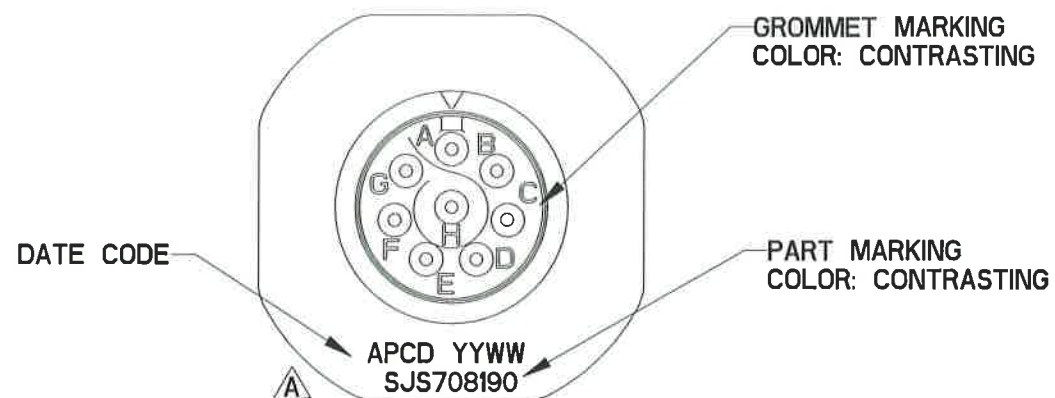
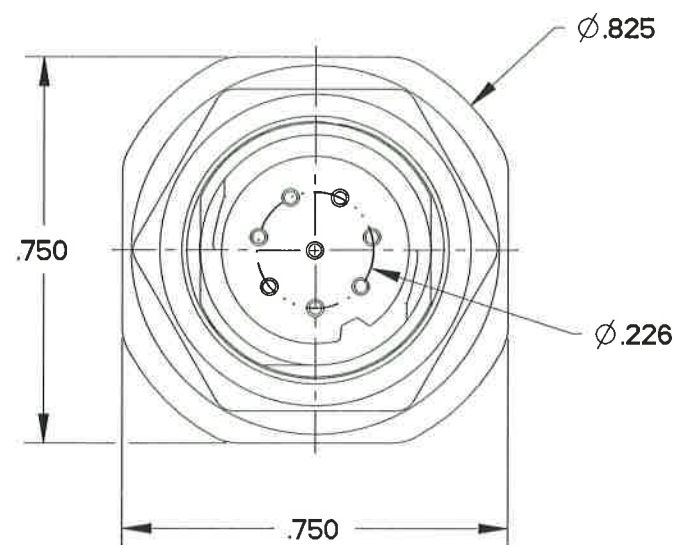


REV	ECN	APP'D
-	7515	JT 6/5/15
A	7549	ST 8/11/15



- NOTES:
- MATERIALS:
HOUSING: POLYETHERIMIDE
CONTACT RETAINER: STAINLESS STEEL
NUT: STAINLESS STEEL PASSIVATED
O-RING: SILICONE RUBBER
GROMMET: SILICONE RUBBER
 - MATING CONTACTS: SEE TABLE I
 - PART MATES WITH SJS830100
 - SUPPLIED WITH DUST CAP
 - ESTIMATED WEIGHT: 5.5g

NUT & O-RING NOT SHOWN FOR DIMENSIONAL CLARITY

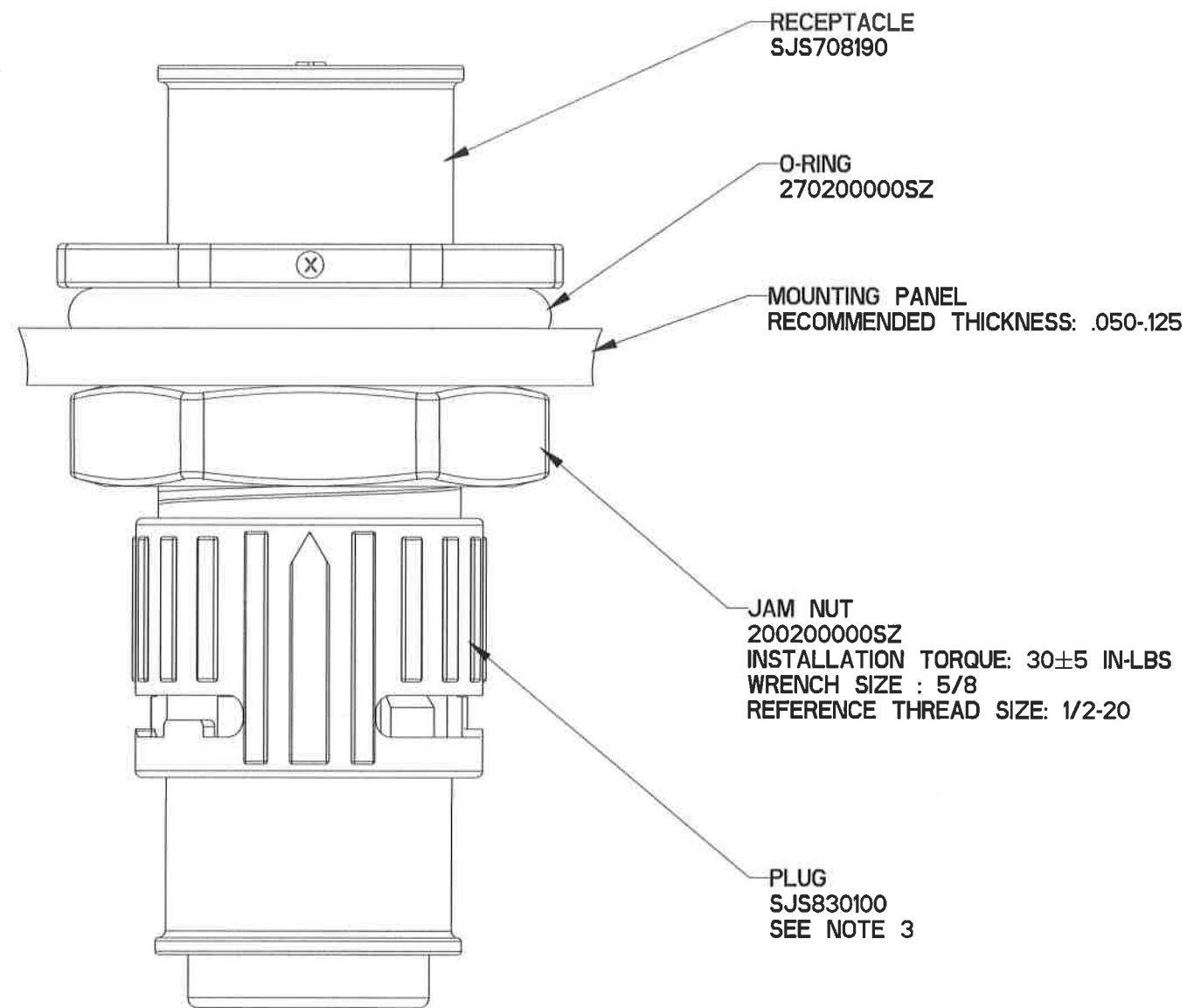


TABEL I : PART NUMBER SCHEME		
APCD P/N	CONTACTS SUPPLIED	PART MARKING
SJS708190	NONE	SJS708190
SJS708191	(8) M39029/58-360	
TITLE RECEPTACLE, SJS LUMINUS JAM NUT, REAR MOUNT, SHELL SIZE 7 8 POS SIZE 22/22D		
SIZE B	DWG NO. SJS708190_C	REV A
CODE: 58982	SCALE: 8:3	SHEET 1 OF 2

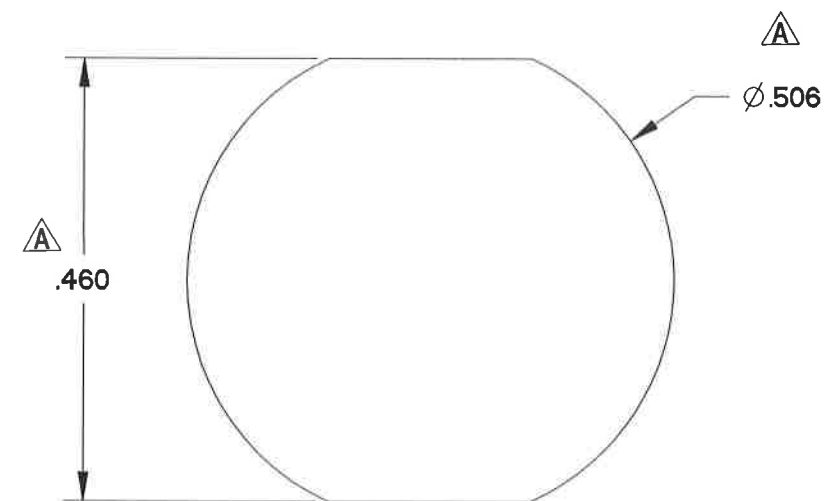
DIMENSIONS ANSI Y14.5M UNITS: INCHES Pro/E FILE	TOLERANCES .XX ±0.01 .XXX ±0.005 ANGLES ±1.0°	PROJECTION 	<p>Amphenol Pcd SPECIFICATION DRAWING</p> <p>ENGR George.Long May-19-15</p> <p>CHKD <i>Mr. Dine 8/11/15</i></p> <p>APPD <i>John 8/11/15</i></p>
<p>ORIGINAL</p>	<p>THIS DOCUMENT CONTAINS PROPRIETARY INFORMATION WHICH IS THE CONFIDENTIAL PROPERTY OF AMPHENOL PCD INC., BEVERLY, MA</p>		

SJS708190_C

SJS708190_C



MOUNTING INSTRUCTIONS
SCALE 4:1



MOUNTING PANEL CUTOUT
SCALE 5:1

SIZE B	DWG NO. SJS708190_C	REV A
CODE: 58982	SCALE: 8:3	SHEET 2 OF 2