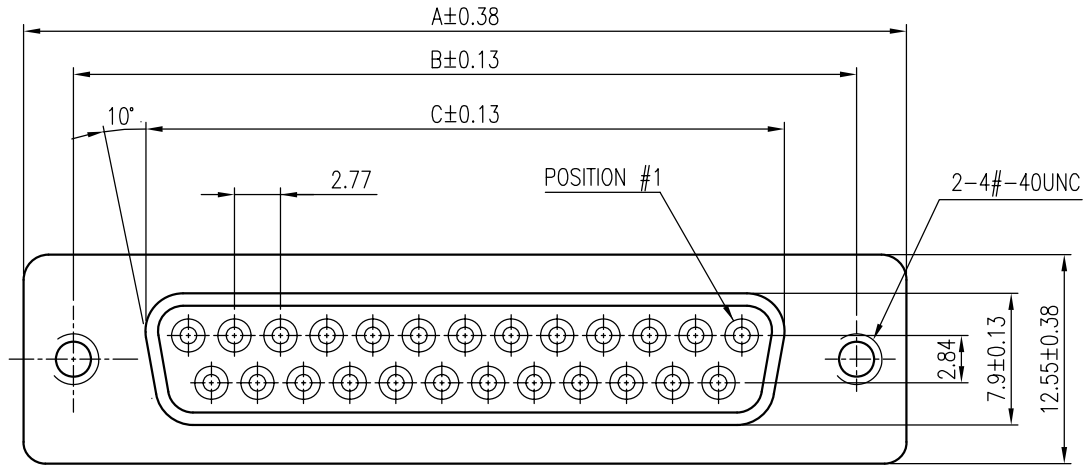


This document is the property of Amphenol Corporation and is delivered on the express condition that it is not to be disclosed, reproduced or used, in whole or in part, for manufacture or sale by anyone other than Amphenol Corporation without its prior consent, and that no right is granted to disclose or to use any information in this document.

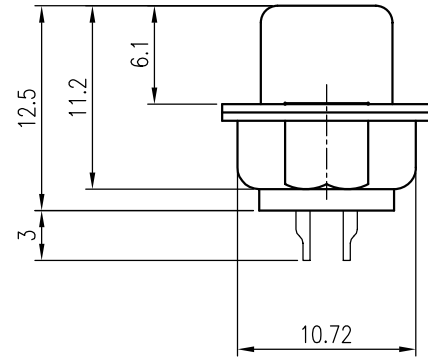
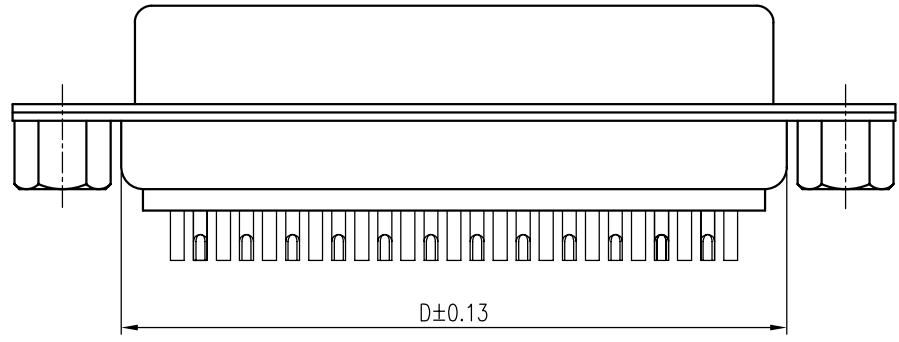
CUSTOMER DRAWING ORIGINAL

REVISIONS				
SYM	ECN No.	DESCRIPTION	DATE	APPROVED
A		RELEASE FOR RoHS	09/09/2005	Henry Ko



NOTES:

- FRONT & REAR SHELL FINISH: SELECTIVE PLATED
- CONTACTS FINISH: SELECTIVE GOLD PLATED
- INSULATOR: PBT, GLASS FIBER FILLED, UL 94V-0, COLOR- BLACK
- THIS PRODUCT DOESN'T CONTAIN ENVIRONMENTAL HAZARDOUS MATERIALS PER DIRECTIVE 2002/95/EC FOR RoHS.



TOLERANCE m/m	
x.	±0.30
x.x	±0.25
x.xx	±0.15
x.xxx	±0.08
ANGULAR	±2°

UNLESS OTHERWISE SPECIFIED

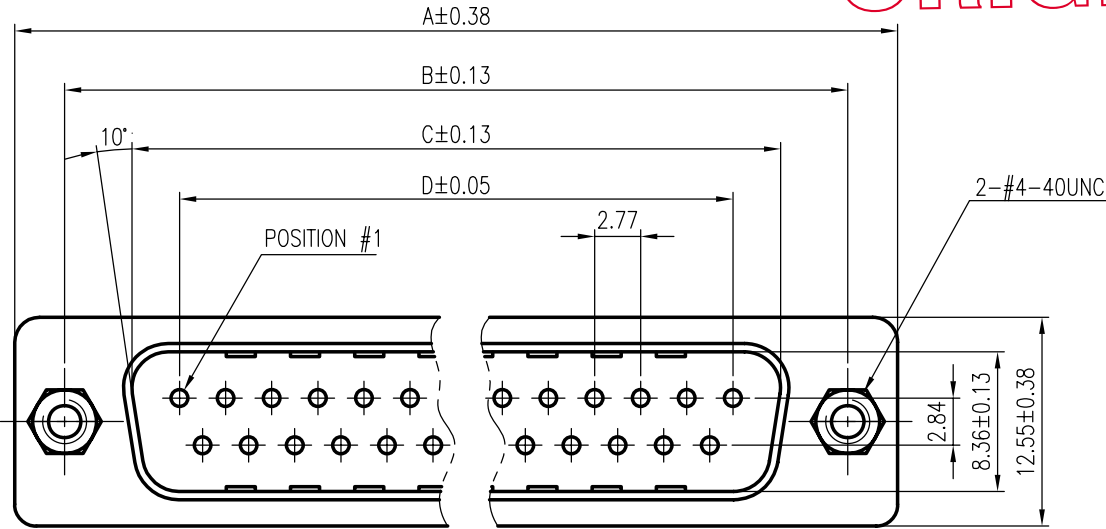
PART NUMBERS	NO. OF CONTACTS	DIM. A	DIM. B	DIM. C	DIM. D	APPROVALS		DATE	TITLE	Amphenol® Amphenol Corporation Amphenol East Asia Limited			
						DRAWN	CHECKED						
G17S 090X XX1 EU	9	30.84	24.99	16.24	19.28	Sondra Sang	Laura Su	09/09/05	G17S SERIES SOLDER-POT TERMINATION RECEPTACLE	SCALE	N.A.	SHEET 1 OF 1	
G17S 150X XX1 EU	15	39.24	33.32	24.56	27.51	Alex Lin		09/09/05		DRAWING NO.	DSUB-G17SXX0XX1EU-25	REV.	A
G17S 250X XX1 EU	25	53.04	47.04	38.38	41.30			09/09/05		SIZE	A4	PART NO.	G17S XX0X XX1 EU
G17S 370X XX1 EU	37	69.32	63.50	54.76	57.71				UNIT	MM			

This document is the property of Amphenol Corporation and is delivered on the express condition that it is not to be disclosed, reproduced or used, in whole or in part, for manufacture or sale by anyone other than Amphenol Corporation without its prior consent, and that no right is granted to disclose or to use any information in this document.

CUSTOMER DRAWING

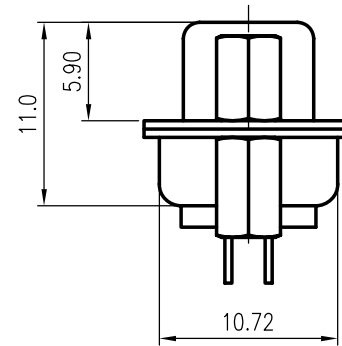
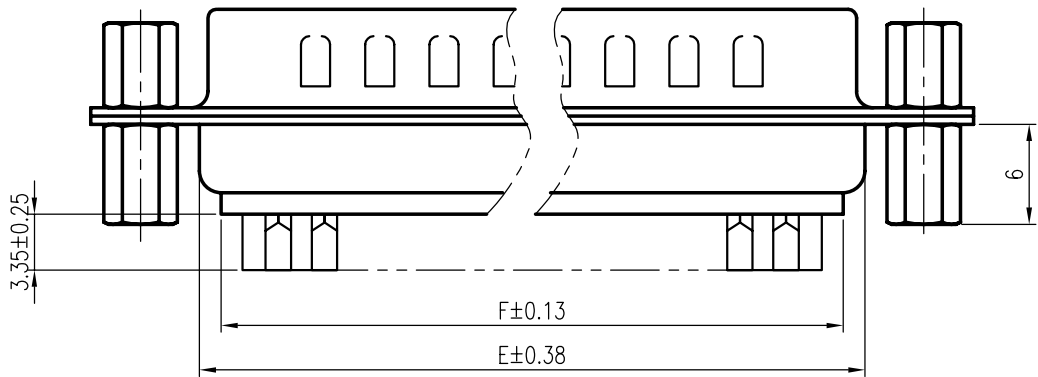
ORIGINAL

REVISIONS				
SYM	ECN No.	DESCRIPTION	DATE	APPROVED
A		RELEASE FOR RoHS	09/09/2005	Henry Ko



NOTES:

1. INSULATOR: PBT, UL 94V-0, BLACK COLOR
2. CONTACT: BRASS, SELECTIVE GOLD PLATED
3. SHIELDED FINISH: TIN PLATED OR ZINC CHORMATED
4. THIS PRODUCT DOESN'T CONTAIN ENVIRONMENTAL HAZARDOUS MATERIALS PER DIRECTIVE 2002/95/EC FOR RoHS.



P/N	NO. OF CONTACTS	A	B	C	D	E	F	TOLERANCE m/m	APPROVALS	DATE	TITLE	Amphenol® Amphenol Corporation Amphenol Taiwan Corporation							
									DRAWN	CHECKED			APPROVED	SCALE	N.A.	SHEET	1 OF 1		
G17S 091X XX2 EU	9	30.81	24.99	16.92	11.09	19.20	15.75	x. ±0.30	Sondra Sang	09/09/05	G17S SERIES SOLDER-POT TERMINATION PLUG								
G17S 151X XX2 EU	15	39.14	33.32	25.25	19.39	27.70	24.45	x.x ±0.25	Laura Su	09/09/05									
G17S 251X XX2 EU	25	53.04	47.04	38.96	33.24	41.10	38.00	x.xx ±0.15	Alex Lin	09/09/05									
G17S 371X XX2 EU	37	69.32	63.50	55.42	49.86	57.30	53.96	x.xxx ±0.08											
UNLESS OTHERWISE SPECIFIED										UNIT	MM	SIZE	A3	PART NO.	G17S XX1X XX2 EU	DRAWING NO.	DSUB-G17SXX1XXX2EU-25	REV.	A

PART NUMBER SYSTEM **PNS-17S** **Rev. C**

ORIGINAL

G17S XX XX XXX X

D-subminiature Solder-pot Termination

Number of Position

- 09: 09 positions
- 15: 15 positions
- 25: 25 positions
- 37: 37 positions
- 50: 50 positions
- :

Contact Style

- 0: Receptacle
- 1: Plug

Contact Finish

- 0: Flash gold
- 1: 15μ" gold
- 2: 30μ" gold
- 3: Full flash gold
- 4: 50μ" gold

Front Shell Finish

- 0: Zinc chromated
- 1: Tin over nickel
- 2: Nickel

Variation Code

Blank: Standard

Flange Mounting Option

- 0: φ3.05mm clear hole
- 1: #4-40 threaded hole
- 2: #4-40 threaded hole with #4-40UNC screwlock installed
- 3: #4-40 threaded hole with #4-40UNC screwlock bulk-packed
- 4: M3 threaded hole
- 5: M3 threaded hole with M3 screwlock installed
- 6: #4-40 threaded hole with M2.6 screwlock bulk-packed
- 7: #4-40 threaded screwlock clinched-mount installed

Back Shell Finish

- 0: Zinc chromated
- 1: Tin over nickel
- 2: Nickel



- ! All contacts are in 50μ" nickel underplate
- ! All specified numbers are minimum thickness of plating.
- ! The variation code may supersede some major specifications defined by this standard part number system
- ! For part number with a variation code. Please refer to the specific set of data sheets released for that

				TITLE		PRODUCT SERIES	
				G17S SERIES, PART NUMBER		G17S	
C	NE-05266	Henry Ko	08/30/2005	This document is the property of Amphenol Corporation and is delivered on the express condition that it is not to be disclosed, reproduced or used, in whole or in part, for manufacture or sale by anyone other than Amphenol Corporation without its prior consent, and that no right is granted to disclose or to use any information in this document.			
B	NE-97252	Arthur Huang	11/26/1997				
A		Arthur Huang	09/24/1997				
SYM	ECO NO.	APPROVED	DATE				
PREPARED		DATE		CHECKED		DATE	
Sondra sang		08/30/2005		Laura Su		08/30/2005	
				APPROVED		DATE	
				Ken Lin for		08/30/2005	